

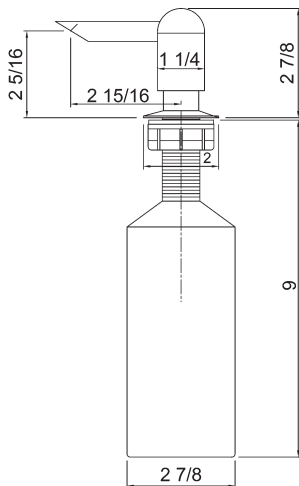
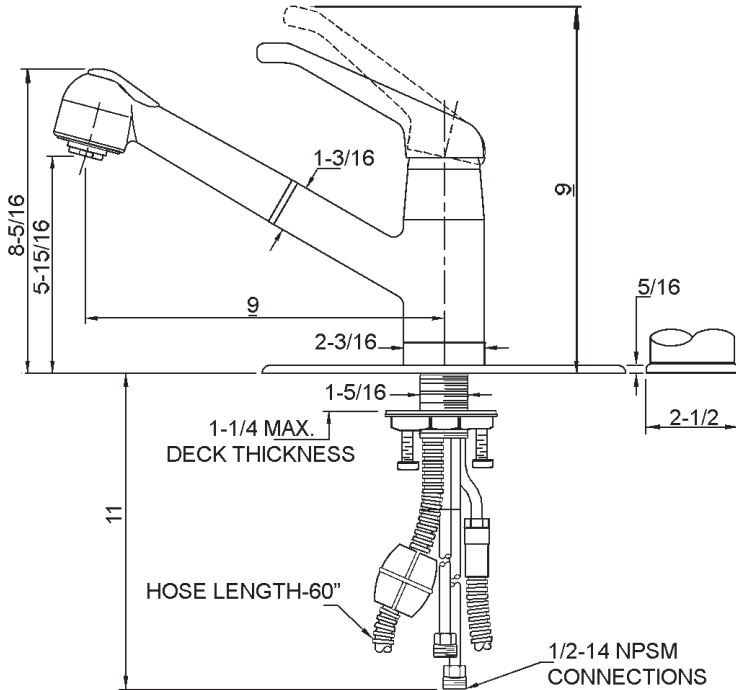


FAUCET GROUP

JPO-4200

**PULL-OUT SPRAY- KITCHEN FAUCET
with
SOAP DISPENSER**

SUBMITTAL DATA



TECHNICAL DATA

CONSTRUCTION:

- Single hole deck mounted
- Ceramic disk cartridge
- Loop type handle
- 9" Spout reach
- Equipped with water saving aerator
- Conforms with ASME 112.18.1

FINISH

Polished chrome plate

FLOW RATE

2.0 GPM flow restricting aerator

A.D.A. COMPLIANT

No

VARIANTS

None

JUST MFG. COMPANY CONTINUES TO MAKE QUALITY AND FUNCTIONALITY A MARK OF THE JUST PRODUCT LINE. TO DO SO REQUIRES THAT WE RESERVE THE RIGHT TO CHANGE PRODUCT INFORMATION WITHOUT NOTICE. DIMENSIONS MAY VARY AND ARE SUBJECT TO CHANGE WITHOUT NOTICE. NO RESPONSIBILITY IS ASSUMED FOR USE OF SUPERCEDED OR VOIDED DATA. FOR THE MOST CURRENT AND ACCURATE INFORMATION REGARDING THE COMPLETE LINE OF JUST SINKS, FAUCETS AND DRAINS, CLICK ON THE **SPEC LINE DRAWINGS** LINK ON OUR WEB SITE AT www.justmfg.com

Job Name _____	
Customer _____	
Architect/Engineer _____	
APPROVED FOR MANUFACTURING	
MODEL NO. _____	QTY. _____
COMPANY _____	
TITLE _____	DATE _____
SIGNATURE _____	

05/2006

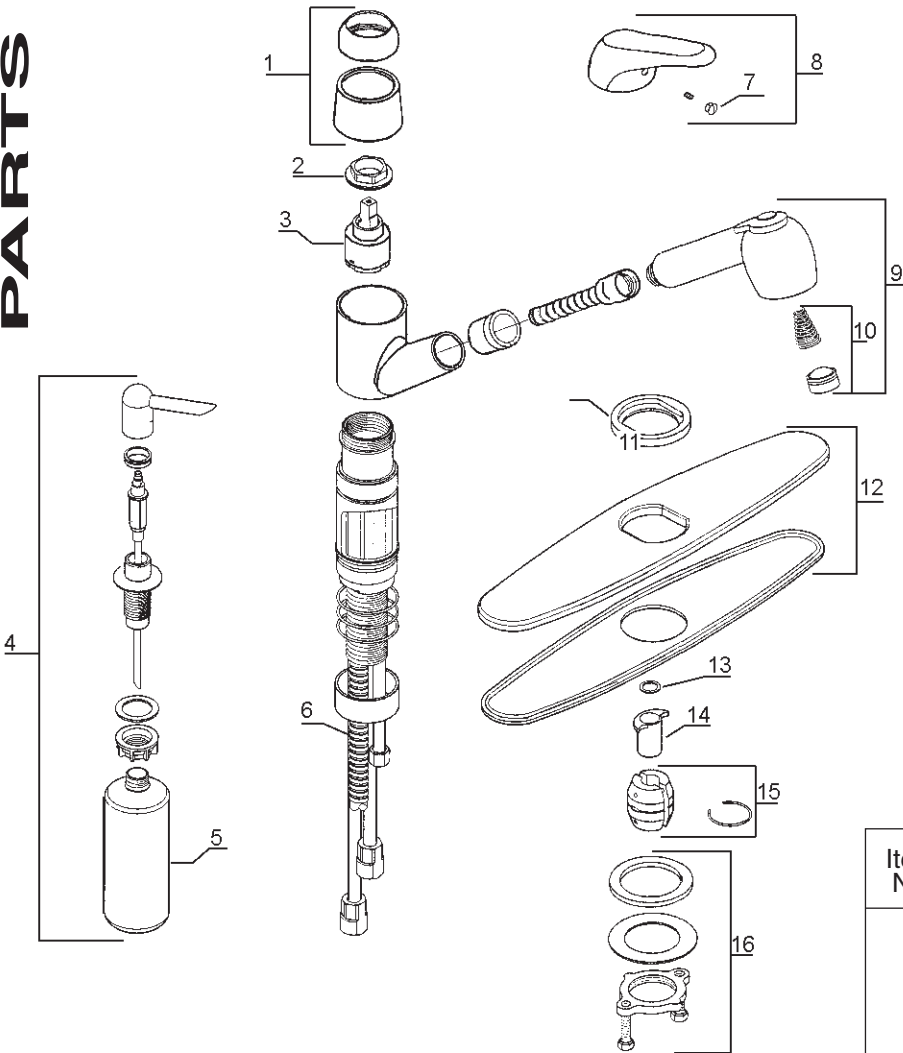
JUST MANUFACTURING COMPANY	
9233 KING STREET . FRANKLIN PARK . ILLINOIS . 60131-2111	
PH: 847-678-5150 . FAX: 847-678-6817	
E-MAIL: custserv@justmfg.com . www.justmfg.com	



FAUCET GROUP

**PULL-OUT SPRAY - KITCHEN FAUCET
with
SOAP DISPENSER**

PARTS DATA



Item No.	Part No.	Description
1	790-14P	Dome cap and Cap seat
2	110-13P	Retainer ring
3	440-47P	Cartridge
4	830-16P	Soap dispenser assembly
5	930-16P	Dispenser - bottle only
6	860-15P	Pull-out hose
7	811-14P	Button
8	670-04P	Handle assembly
9	840-02P	Spray head
10	990-14P	Aerator
11	210-13P	Single post ring
12	310-13P	Deck plate assembly
13	211-05P	Rubber washer
14	610-13P	Weight assembly
15	410-13P	Mounting package

JUST MFG. COMPANY CONTINUES TO MAKE QUALITY AND FUNCTIONALITY A MARK OF THE JUST PRODUCT LINE. TO DO SO REQUIRES THAT WE RESERVE THE RIGHT TO CHANGE PRODUCT INFORMATION WITHOUT NOTICE. DIMENSIONS MAY VARY AND ARE SUBJECT TO CHANGE WITHOUT NOTICE. NO RESPONSIBILITY IS ASSUMED FOR USE OF SUPERCEDED OR VOIDED DATA. FOR THE MOST CURRENT AND ACCURATE INFORMATION REGARDING THE COMPLETE LINE OF JUST SINKS, FAUCETS AND DRAINS, CLICK ON THE *SPEC LINE DRAWINGS* LINK ON OUR WEB SITE AT www.justmfg.com

JUST MANUFACTURING COMPANY
 9233 KING STREET . FRANKLIN PARK . ILLINOIS . 60131-2111
 PH: 847-678-5150 . FAX: 847-678-6817
 E-MAIL: custserv@justmfg.com . www.justmfg.com