



# JPO-250

## FAUCET GROUP PULL-OUT KITCHEN FAUCET

SUBMITTAL DATA

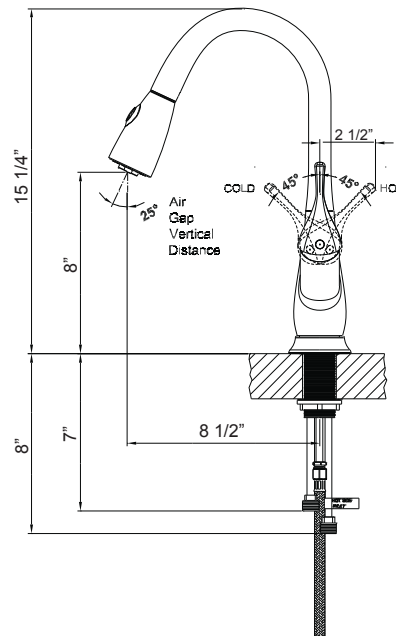
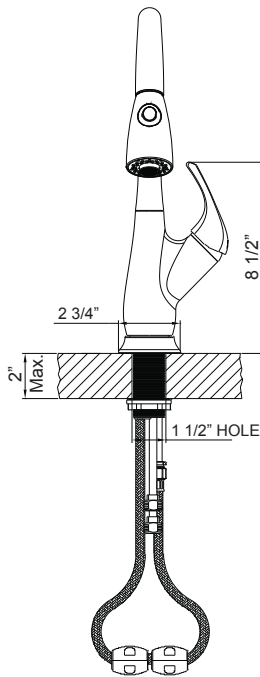


### Features:

- PVD Polished chrome
- Metal Lever Handle
- Ceramic disc cartridge
- 1 or 3 Hole 8" Installation
- 8-1/2" Reach, 8" From Deck to Aerator
- Temperature Limit Stop
- 2.0 GPM aerator
- Contains no more than 0.25% weighted average lead content.

### Standards

- ASME A112.18.1
- ANSI A117.1
- ANSI / NSF 61, SECTION 9
- CUPC / IAPMO LISTED / ADA COMPLIANT



APPROVED FOR MANUFACTURING

MODEL NO.: **JPO-250** QTY: \_\_\_\_\_

JOB NAME: \_\_\_\_\_

TAG/ITEM: \_\_\_\_\_

CUSTOMER: \_\_\_\_\_

SIGNATURE: \_\_\_\_\_

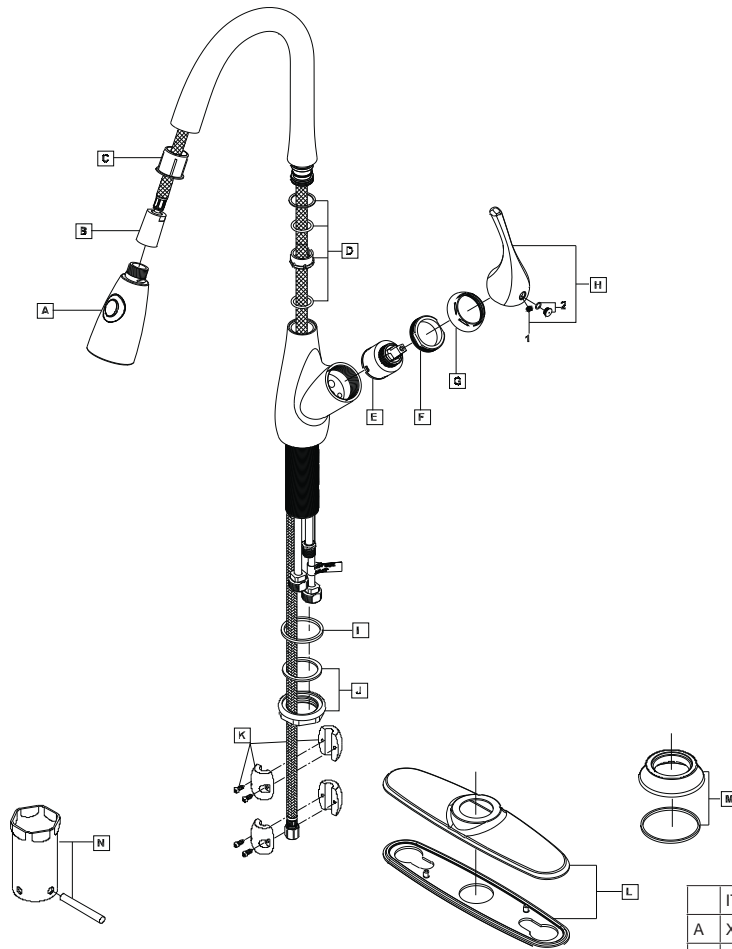
JUST MFG. COMPANY CONTINUES TO MAKE QUALITY AND FUNCTIONALITY A MARK OF THE JUST PRODUCT LINE. TO DO SO REQUIRES THAT WE RESERVE THE RIGHT TO CHANGE PRODUCT INFORMATION WITHOUT NOTICE. DIMENSIONS MAY VARY AND ARE SUBJECT TO CHANGE WITHOUT NOTICE. NO RESPONSIBILITY IS ASSUMED FOR USE OF SUPERCEDED OR VOIDED DATA. FOR THE MOST CURRENT AND ACCURATE INFORMATION REGARDING THE COMPLETE LINE OF JUST SINKS, FAUCETS AND DRAINS, CLICK ON THE **SPEC LINE DRAWINGS** LINK ON OUR WEB SITE AT [www.justmfg.com](http://www.justmfg.com)

JUST MANUFACTURING COMPANY

9233 KING STREET . FRANKLIN PARK . ILLINOIS . 60131-2111

PH: 847-678-5150 . FAX: 847-678-6817 . E-MAIL: [custserv@justmfg.com](mailto:custserv@justmfg.com) . [www.justmfg.com](http://www.justmfg.com)

**JPO-250**  
**FAUCET GROUP**  
**PULL-OUT KITCHEN FAUCET**



**PARTS BREAKDOWN LIST**

ITEM#	DESCRIPTION
A	X-4200089* Pull-Down Spray Head
B	X-4200111 Spray Hose
C	X-4200148 Spray Head Support
D	X-4200112 Spout Repair Kit
E	X-3900001 Ceramic Disc Cartridge
F	X-4200002 Retainer Nut
G	X-4200001* Retainer Sleeve
H	X-1200016* Lever Handle
I	X-4200113 Washer
J	X-5200019 Mounting Kit
K	X-4200041 Weight
L	X-4200169* Deck Plate
M	X-4200152* Escutcheon
N	X-5200020 Mounting Tool
1	X-4400024 Allen Screw
2	X-4400073* Hole Cover

\* Note- Please specify finish/color while ordering.

JUST MFG. COMPANY CONTINUES TO MAKE QUALITY AND FUNCTIONALITY A MARK OF THE JUST PRODUCT LINE. TO DO SO REQUIRES THAT WE RESERVE THE RIGHT TO CHANGE PRODUCT INFORMATION WITHOUT NOTICE. DIMENSIONS MAY VARY AND ARE SUBJECT TO CHANGE WITHOUT NOTICE. NO RESPONSIBILITY IS ASSUMED FOR USE OF SUPERCEDED OR VOIDED DATA. FOR THE MOST CURRENT AND ACCURATE INFORMATION REGARDING THE COMPLETE LINE OF JUST SINKS, FAUCETS AND DRAINS, CLICK ON THE **SPEC LINE DRAWINGS** LINK ON OUR WEB SITE AT [www.justmfg.com](http://www.justmfg.com)

**JUST MANUFACTURING COMPANY**

9233 KING STREET . FRANKLIN PARK . ILLINOIS . 60131-2111

PH: 847-678-5150 . FAX: 847-678-6817

E-MAIL: [custserv@justmfg.com](mailto:custserv@justmfg.com)

[www.justmfg.com](http://www.justmfg.com)