



JPO-220

FAUCET GROUP PULL-OUT KITCHEN FAUCET

SUBMITTAL DATA

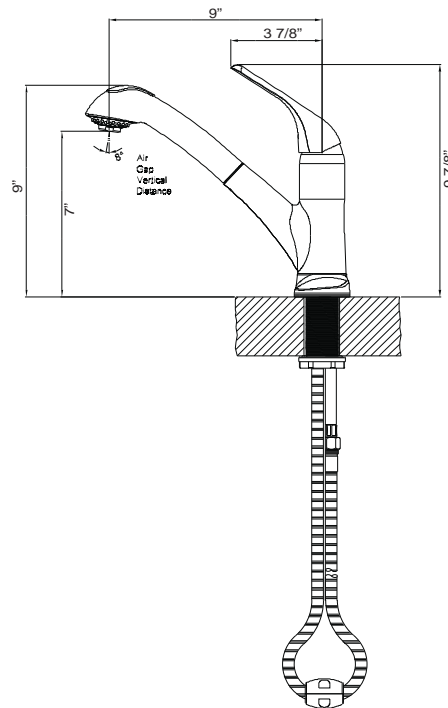
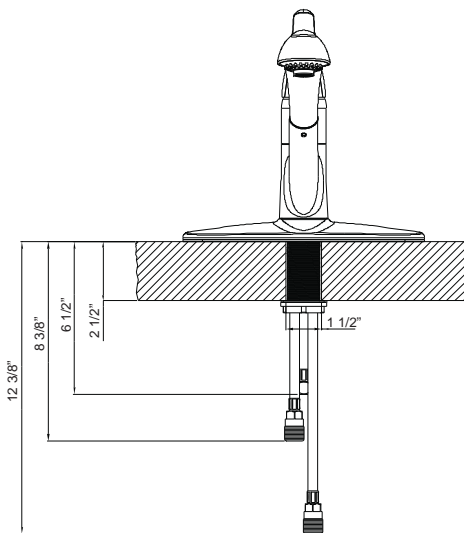


Features:

- PVD Polished chrome
- Metal Lever Handle
- Ceramic disc cartridge
- 1 or 3 Hole 8" Installation
- 9" Reach, 7" From Deck to Aerator
- Temperature Limit Stop
- 1.8 GPM aerator
- Integral Vacuum Breaker
- SS Flex Connectors

Standards

- ASME A112.18.1
- ANSI A117.1
- ANSI / NSF 61, SECTION 9
- CUPC / IAPMO LISTED / ADA COMPLIANT



APPROVED FOR MANUFACTURING

MODEL NO.: **JPO-220** QTY: _____

JOB NAME: _____

TAG/ITEM: _____

CUSTOMER: _____

SIGNATURE: _____

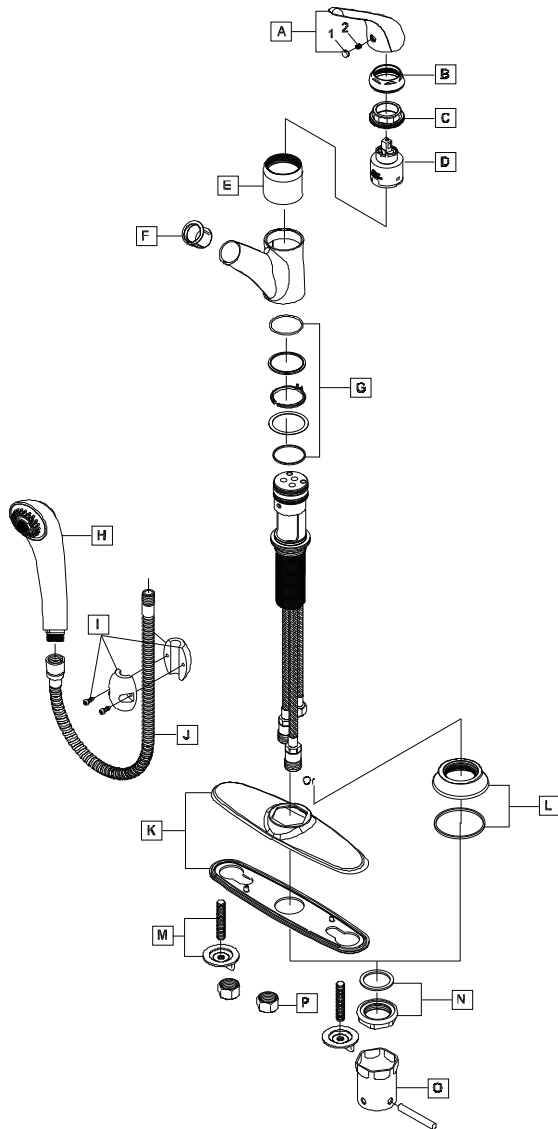
JUST MFG. COMPANY CONTINUES TO MAKE QUALITY AND FUNCTIONALITY A MARK OF THE JUST PRODUCT LINE. TO DO SO REQUIRES THAT WE RESERVE THE RIGHT TO CHANGE PRODUCT INFORMATION WITHOUT NOTICE. DIMENSIONS MAY VARY AND ARE SUBJECT TO CHANGE WITHOUT NOTICE. NO RESPONSIBILITY IS ASSUMED FOR USE OF SUPERCEDED OR VOIDED DATA. FOR THE MOST CURRENT AND ACCURATE INFORMATION REGARDING THE COMPLETE LINE OF JUST SINKS, FAUCETS AND DRAINS, CLICK ON THE **SPEC LINE DRAWINGS** LINK ON OUR WEB SITE AT www.justmfg.com

JUST MANUFACTURING COMPANY

9233 KING STREET . FRANKLIN PARK . ILLINOIS . 60131-2111

PH: 847-678-5150 . FAX: 847-678-6817 . E-MAIL: custserv@justmfg.com . www.justmfg.com

JPO-220
FAUCET GROUP
PULL-OUT KITCHEN FAUCET



PARTS BREAKDOWN LIST

	ITEM#	DESCRIPTION
A	X-1200020*	Lever Handle
B	X-4200145*	Retainer Cap
C	X-4200146	Retainer Nut
D	X-3200001	Ceramic Disc Cartridge
E	X-4200147*	Retainer Sleeve
F	X-4200148	Hose Support
G	X-4200149	Spout Repair Kit
H	X-4200150*	Pull-Out Spray Head
I	X-4200041	Weight
J	X-4200040	Spray Head Hose
K	X-4200151*	Deck Plate
L	X-4200152*	Escutcheon
M	X-5200001	Mounting Kit
N	X-5200019	Mounting Kit
O	X-5200020	Mounting Tool
P	X-4900004	Supply Nut
1	X-4900001*	Hole Cover
2	X-4900002	Allen Screw

* Note- Please specify finish/color while ordering.

JUST MFG. COMPANY CONTINUES TO MAKE QUALITY AND FUNCTIONALITY A MARK OF THE JUST PRODUCT LINE. TO DO SO REQUIRES THAT WE RESERVE THE RIGHT TO CHANGE PRODUCT INFORMATION WITHOUT NOTICE. DIMENSIONS MAY VARY AND ARE SUBJECT TO CHANGE WITHOUT NOTICE. NO RESPONSIBILITY IS ASSUMED FOR USE OF SUPERCEDED OR VOIDED DATA. FOR THE MOST CURRENT AND ACCURATE INFORMATION REGARDING THE COMPLETE LINE OF JUST SINKS, FAUCETS AND DRAINS, CLICK ON THE **SPEC LINE DRAWINGS** LINK ON OUR WEB SITE AT www.justmfg.com

JUST MANUFACTURING COMPANY

9233 KING STREET . FRANKLIN PARK . ILLINOIS . 60131-2111

PH: 847-678-5150 . FAX: 847-678-6817

E-MAIL: custserv@justmfg.com .

www.justmfg.com