



JPF-4500

FAUCET GROUP DECK MOUNT POT FILLER

SUBMITTAL DATA

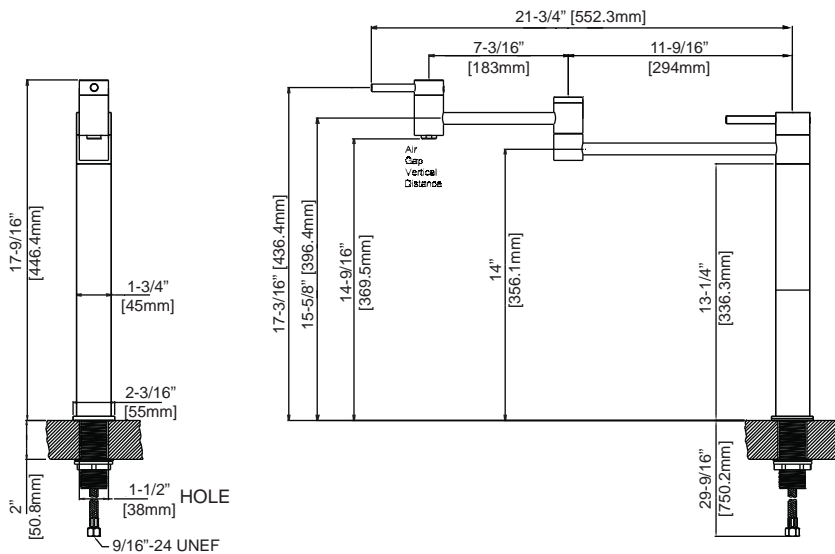
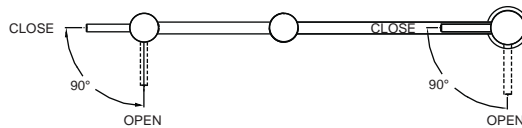


Features:

- PVD Polished Chrome
- Deck Mount Pot Filler
- Metal Lever Handles
- Space Saving Swivel Spout
Folds in When Not in Use
- 18-3/4" Reach, 14-9/16" From
Deck to Aerator
- Ceramic Disc Cartridges
- 1-Hole Deck Mount Installation
- Designed for Cold Water
- 3/8" Compression SS Flex Con-
nector Line
- 1.5 GPM Aerator

Standards

- ASME A112.18.1
- ANSI A117.1
- ANSI / NSF 61, SECTION 9
- CUPC / IAPMO LISTED / ADA
COMPLAINT



APPROVED FOR MANUFACTURING

MODEL NO.: **JPF-4500** QTY: _____

JOB NAME: _____

TAG/ITEM: _____

CUSTOMER: _____

SIGNATURE: _____

JUST MFG. COMPANY CONTINUES TO MAKE QUALITY AND FUNCTIONALITY A MARK OF THE JUST PRODUCT LINE. TO DO SO REQUIRES THAT WE RESERVE THE RIGHT TO CHANGE PRODUCT INFORMATION WITHOUT NOTICE. DIMENSIONS MAY VARY AND ARE SUBJECT TO CHANGE WITHOUT NOTICE. NO RESPONSIBILITY IS ASSUMED FOR USE OF SUPERCEDED OR VOIDED DATA. FOR THE MOST CURRENT AND ACCURATE INFORMATION REGARDING THE COMPLETE LINE OF JUST SINKS, FAUCETS AND DRAINS, CLICK ON THE **SPEC LINE DRAWINGS** LINK ON OUR WEB SITE AT www.justmfg.com

JUST MANUFACTURING COMPANY

9233 KING STREET . FRANKLIN PARK . ILLINOIS . 60131-2111

PH: 847-678-5150 . FAX: 847-678-6817 . E-MAIL: custserv@justmfg.com . www.justmfg.com