

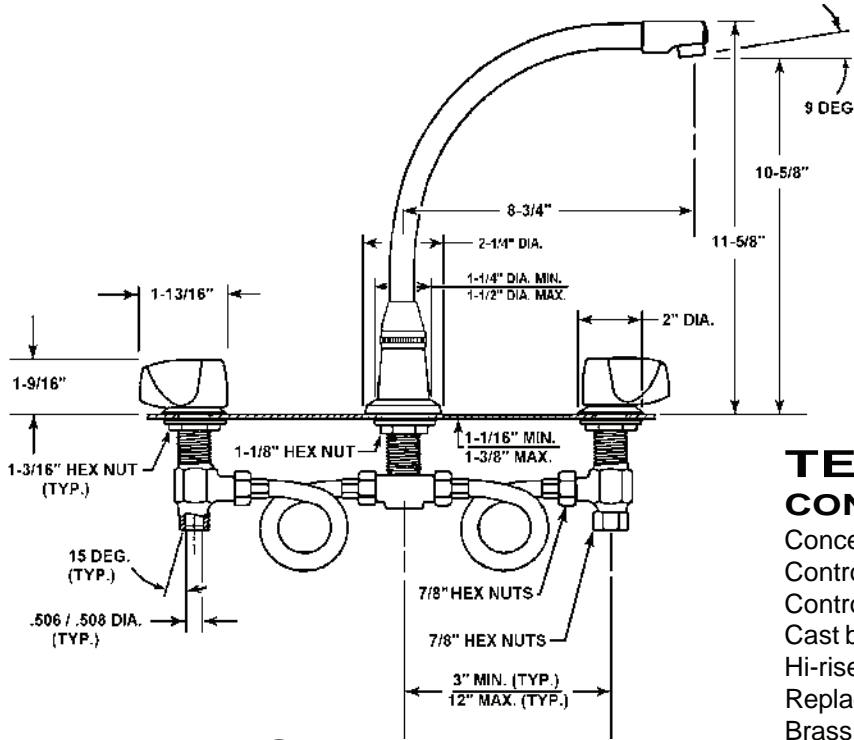


FAUCET GROUP

JOL-400

CONCEALED LEDGEMOUNT

SUBMITTAL DATA



TECHNICAL DATA CONSTRUCTION:

- Concealed ledgemount on installer defined centers
- Controls & spout are connected by reinforced hose
- Controls can be located from 3" to 12" from spout
- Cast brass bodies
- Hi-rise swing spout with 10-5/8" clearance
- Replaceable seats
- Brass quarter turn stem units
- Chrome plated die cast teardrop handles
- Equipped with water saving aerator
- Certified by IAPMO R&T to:
 - * NSF/ANSI 61- 2010a
 - * NSF/ANSI 61- Annex G
 - * Low Lead
 - * ANSI A112.18.1 / CSA B125.1
 - * UPC
 - * IPC
 - * ADA Compliant



OPTIONS

HANDLES

- 4" Wrist Blades "W4"
- 6" Wrist Blades "W6"
- Canopy Type "C" (not ADA)
- Acrylic "P" (not ADA)

AERATOR

- Duo Stream Swivel "B"
- Rose Spray "J-RS"

VANDAL RESISTANT

- Aerator "VR-A"
- Handles "VR-H"

FINISH

Polished chrome plate

FLOW RATE

2.2 GPM flow restricting aerator

A.D.A. COMPLIANCE

Yes

VARIANTS

JOL-401 = JOL-400 w/ hose & spray

JUST MFG. COMPANY CONTINUES TO MAKE QUALITY AND FUNCTIONALITY A MARK OF THE JUST PRODUCT LINE. TO DO SO REQUIRES THAT WE RESERVE THE RIGHT TO CHANGE PRODUCT INFORMATION WITHOUT NOTICE. DIMENSIONS MAY VARY AND ARE SUBJECT TO CHANGE WITHOUT NOTICE. NO RESPONSIBILITY IS ASSUMED FOR USE OF SUPERCEDED OR VOIDED DATA. FOR THE MOST CURRENT AND ACCURATE INFORMATION REGARDING THE COMPLETE LINE OF JUST SINKS, FAUCETS AND DRAINS, CLICK ON THE SPEC LINE DRAWINGS LINK ON OUR WEB SITE AT www.justmfg.com

Job Name _____	
Customer _____	
Architect/Engineer _____	
APPROVED FOR MANUFACTURING	
Model No. _____	Qty. _____
Company _____	
Title _____	Date _____
SIGNATURE _____	

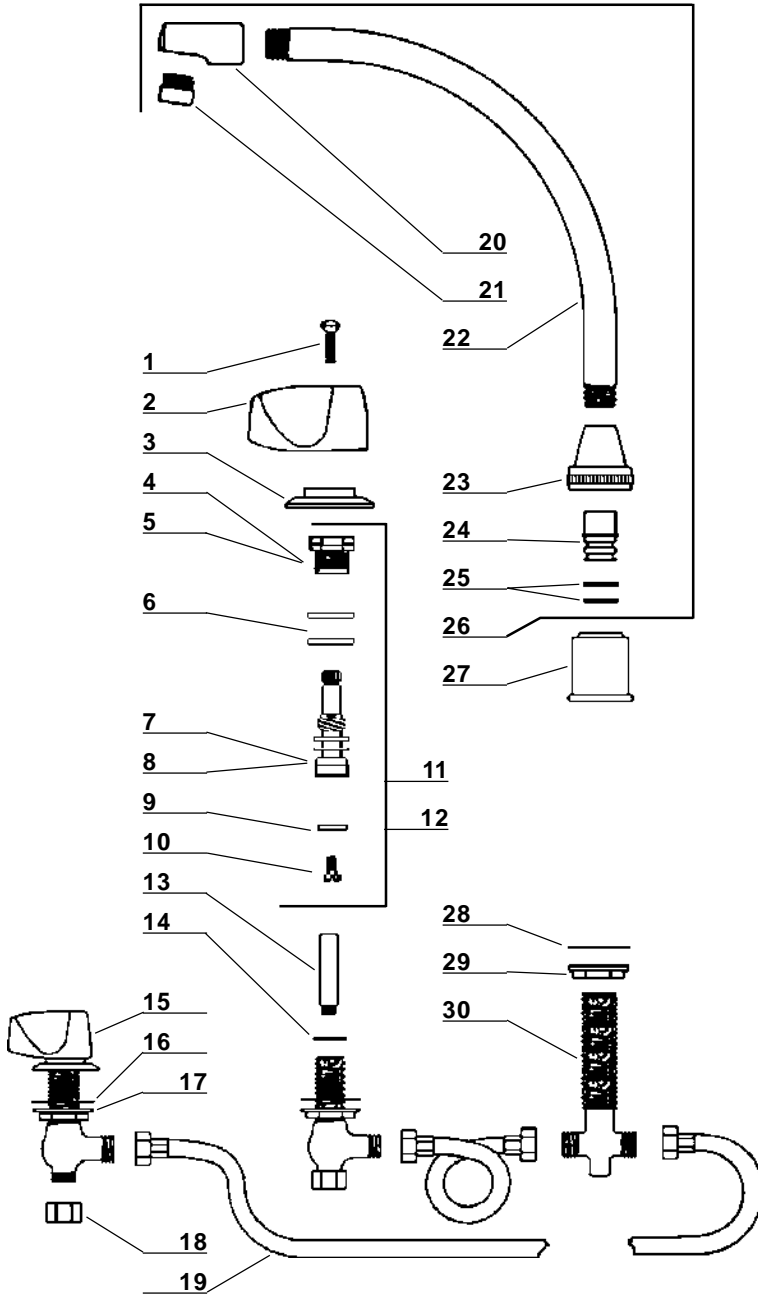
REVISED-2013

JUST MANUFACTURING COMPANY	
9233 KING STREET . FRANKLIN PARK . ILLINOIS . 60131-2111	
PH: 847-678-5150 . FAX: 847-678-6817	
E-MAIL: custserv@justmfg.com . www.justmfg.com	



FAUCET GROUP

CONCEALED LEDGEMOUNT



Item No.	Part No.	Description
1	107-H	Handle Screw
2	519-R	Teardrop Handle (Right)
3	PF-524-J	Escutcheon
4	454-EWC	Bonnet (Cold Side)
5	454-EWH	Bonnet (Hot Side)
6	1038-453	O-Ring
7	454-FL	Stem (Left Side)
8	454-FR	Stem (Right Side)
9	901-WN	Seat Washer
10	104	Seat Washer Screw
11	SU-454-EL	Stem & Bonnet Assembly (Left)
12	SU-454-ER	Stem & Bonnet Assembly (Right)
13	263-D	Replaceable Seat
14	1028-Y	Gasket
15	519-L	Teardrop Handle (Left)
16	491-U	Gasket
17	53-AS	Locknut
18	4015	Coupling Nut
19	312-10	Flexible Connective Tube
20	PF-1550-J	Adaptor
21	30-L	Aerator
22	PF-357-JHR	Hi-Rise Spout
23	PF-782-JES	Spout Nut
24	PF-741-DO	Adaptor
25	1038-K	"O" Rings
26	SU-357-WSA	Spout Assembly
27	1012N	Escutcheon
28	491-S	Gasket
29	4090-SKO-3	Locknut
30	2971	Te Body

JUST MFG. COMPANY CONTINUES TO MAKE QUALITY AND FUNCTIONALITY A MARK OF THE JUST PRODUCT LINE. TO DO SO REQUIRES THAT WE RESERVE THE RIGHT TO CHANGE PRODUCT INFORMATION WITHOUT NOTICE. DIMENSIONS MAY VARY AND ARE SUBJET TO CHANGE WITHOUT NOTICE. NO RESPONSIBILITY IS ASSUMED FOR USE OF SUPERCEDED OR VOIDED DATA. FOR THE MOST CURRENT AND ACCURATE INFORMATION REGARDING THE COMPLETE LINE OF JUST SINKS, FAUCETS AND DRAINS, CLICK ON THE **SPEC LINE DRAWINGS** LINK ON OUR WEB SITE AT www.justmfg.com

JUST MANUFACTURING COMPANY
 9233 KING STREET . FRANKLIN PARK . ILLINOIS . 60131-2111
 PH: 847-678-5150 . FAX: 847-678-6817
 E-MAIL: custserv@justmfg.com . www.justmfg.com