



JLR-701-DA

FAUCET GROUP

LAVATORY WIDESPREAD FAUCET

SUBMITTAL DATA

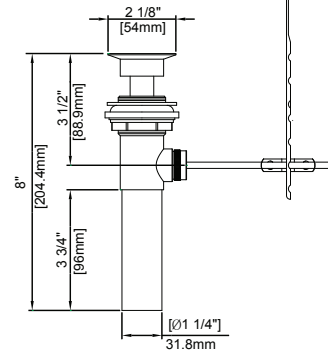
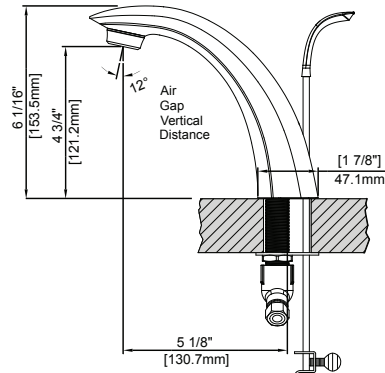
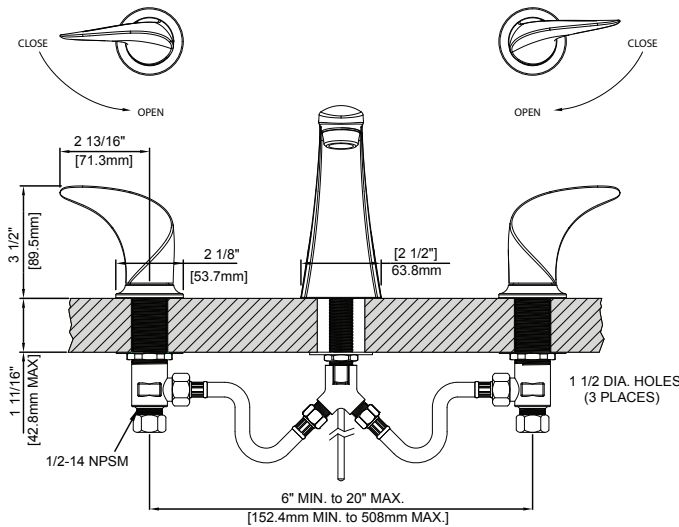


Features:

- PVD polished chrome
- Widespread lavatory faucet
- Ceramic disc cartridges
- 3" to 10" spread between holes
- Brass pop-up drain assembly
- 2.0 GPM aerator
- Contains no more than 0.25% weighted average lead content.

Standards

- ASME A112.18.1
- ANSI A117.1
- ANSI / NSF 61, SECTION 9
- CUPC / IAPMO LISTED / ADA COMPLIANT



APPROVED FOR MANUFACTURING

MODEL NO.: **JLR-701-DA** QTY: _____

JOB NAME: _____

TAG/ITEM: _____

CUSTOMER: _____

SIGNATURE: _____

JUST MFG. COMPANY CONTINUES TO MAKE QUALITY AND FUNCTIONALITY A MARK OF THE JUST PRODUCT LINE. TO DO SO REQUIRES THAT WE RESERVE THE RIGHT TO CHANGE PRODUCT INFORMATION WITHOUT NOTICE. DIMENSIONS MAY VARY AND ARE SUBJECT TO CHANGE WITHOUT NOTICE. NO RESPONSIBILITY IS ASSUMED FOR USE OF SUPERCEDED OR VOIDED DATA. FOR THE MOST CURRENT AND ACCURATE INFORMATION REGARDING THE COMPLETE LINE OF JUST SINKS, FAUCETS AND DRAINS, CLICK ON THE **SPEC LINE DRAWINGS** LINK ON OUR WEB SITE AT www.justmfg.com

JUST MANUFACTURING COMPANY

9233 KING STREET . FRANKLIN PARK . ILLINOIS . 60131-2111

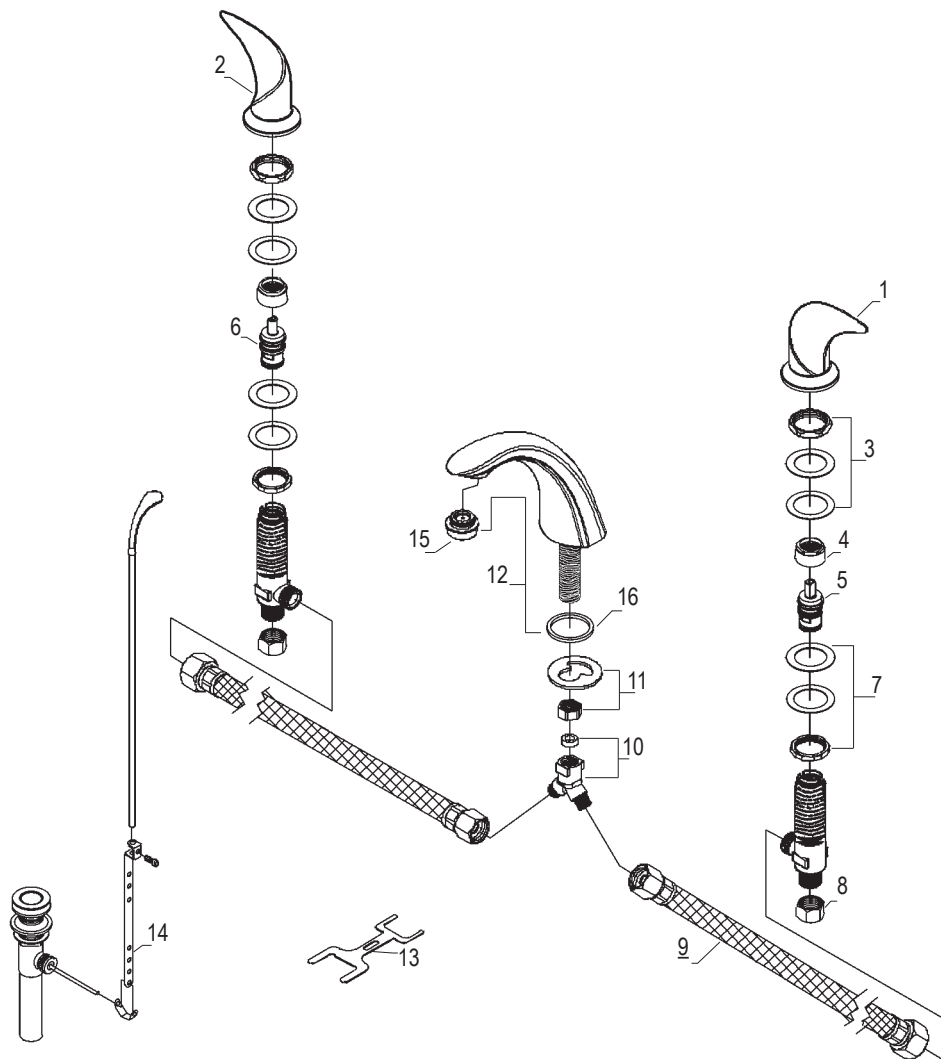
PH: 847-678-5150 . FAX: 847-678-6817 . E-MAIL: custserv@justmfg.com . www.justmfg.com



JLR-701-DA-N

FAUCET GROUP LAVATORY WIDESPREAD FAUCET

PARTS DATA



Item No.	Part No.	Description
1	71-1915C-N	Handle - Cold
2	71-1915H-N	Handle - Hot
3	71-5904	Valve mounting kit
4	71-4922	Bonnet nut
5	71-3902C	Ceramic stem - Cold
6	71-3902H	Ceramic stem - Hot
7	71-5905	Valve mounting kit
8	71-4904	Supply nut
9	71-4921	Supply hose
10	71-4311	'Y' connector
11	71-5303	Spout mounting kit
12	71-2312N	Spout
13	71-4978	Mounting tool
14	71-6316N	Brass pop-up drain assembly
15	71-4334	2.0 GPM aerator
16	71-4354	Gasket

JUST MFG. COMPANY CONTINUES TO MAKE QUALITY AND FUNCTIONALITY A MARK OF THE JUST PRODUCT LINE. TO DO SO REQUIRES THAT WE RESERVE THE RIGHT TO CHANGE PRODUCT INFORMATION WITHOUT NOTICE. DIMENSIONS MAY VARY AND ARE SUBJET TO CHANGE WITHOUT NOTICE. NO RESPONSIBILITY IS ASSUMED FOR USE OF SUPERCEDED OR VOIDED DATA. FOR THE MOST CURRENT AND ACCURATE INFORMATION REGARDING THE COMPLETE LINE OF JUST SINKS, FAUCETS AND DRAINS, CLICK ON THE **SPEC LINE DRAWINGS** LINK ON OUR WEB SITE AT www.justmfg.com

JLR701DAN

JUST MANUFACTURING COMPANY

9233 KING STREET . FRANKLIN PARK . ILLINOIS . 60131-2111

PH: 847-678-5150 . FAX: 847-678-6817

E-MAIL: custserv@justmfg.com .

www.justmfg.com