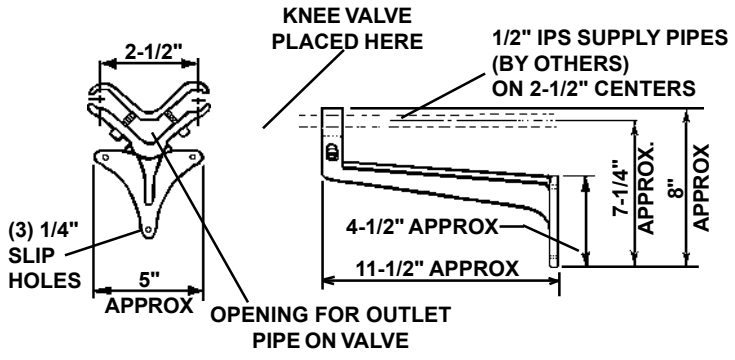
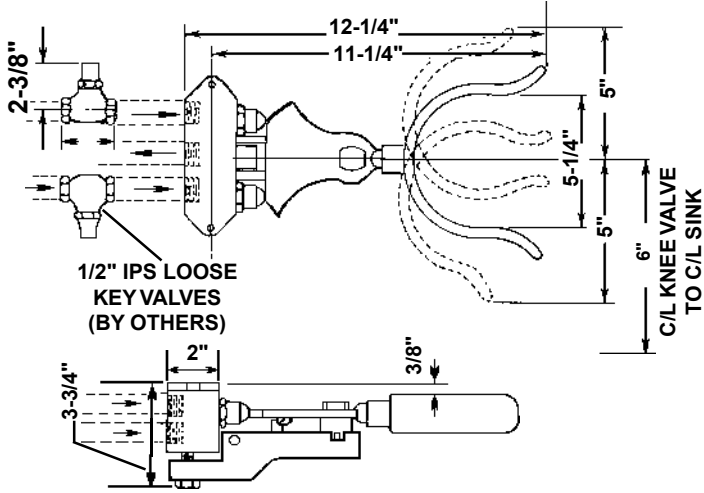




FAUCET GROUP



JKV-400

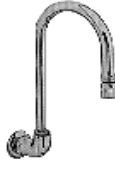

WALL MOUNTED KNEE VALVE



SUBMITTAL DATA

TECHNICAL DATA CONSTRUCTION:

- Wall mount
- Solid, heavy duty cast brass body
- Renewable self-closing valve unit
- Replaceable seats
- Replaceable reinforced nitrile rubber packing
- Conforms with ANSI standard 112.18.1

Select spout to be used	
	
JS-10 Spout	JS-20 Spout

FINISH
Polished chrome plate

A.D.A. COMPLIANT
No

VARIANTS
None

OPTIONS SPOUTS -

- JS-10 - Wall Mount Gooseneck Spout with 2.2 GPM flow restricting aerator
- JS-20 - Deck mount Spout with 2.2 GPM flow restricting aerator

Job Name _____

Customer _____

Architect/Engineer _____

APPROVED FOR MANUFACTURING

MODEL NO. _____ QTY. _____

COMPANY _____

TITLE _____ DATE _____

SIGNATURE _____

REVISED-5/2004

JUST MFG. COMPANY CONTINUES TO MAKE QUALITY AND FUNCTIONALITY A MARK OF THE JUST PRODUCT LINE. TO DO SO REQUIRES THAT WE RESERVE THE RIGHT TO CHANGE PRODUCT INFORMATION WITHOUT NOTICE. DIMENSIONS MAY VARY AND ARE SUBJECT TO CHANGE WITHOUT NOTICE. NO RESPONSIBILITY IS ASSUMED FOR USE OF SUPERCEDED OR VOIDED DATA. FOR THE MOST CURRENT AND ACCURATE INFORMATION REGARDING THE COMPLETE LINE OF JUST SINKS, FAUCETS AND DRAINS, CLICK ON THE SPEC LINE DRAWINGS LINK ON OUR WEB SITE AT www.justmfg.com

JUST MANUFACTURING COMPANY

9233 KING STREET . FRANKLIN PARK . ILLINOIS . 60131-2111

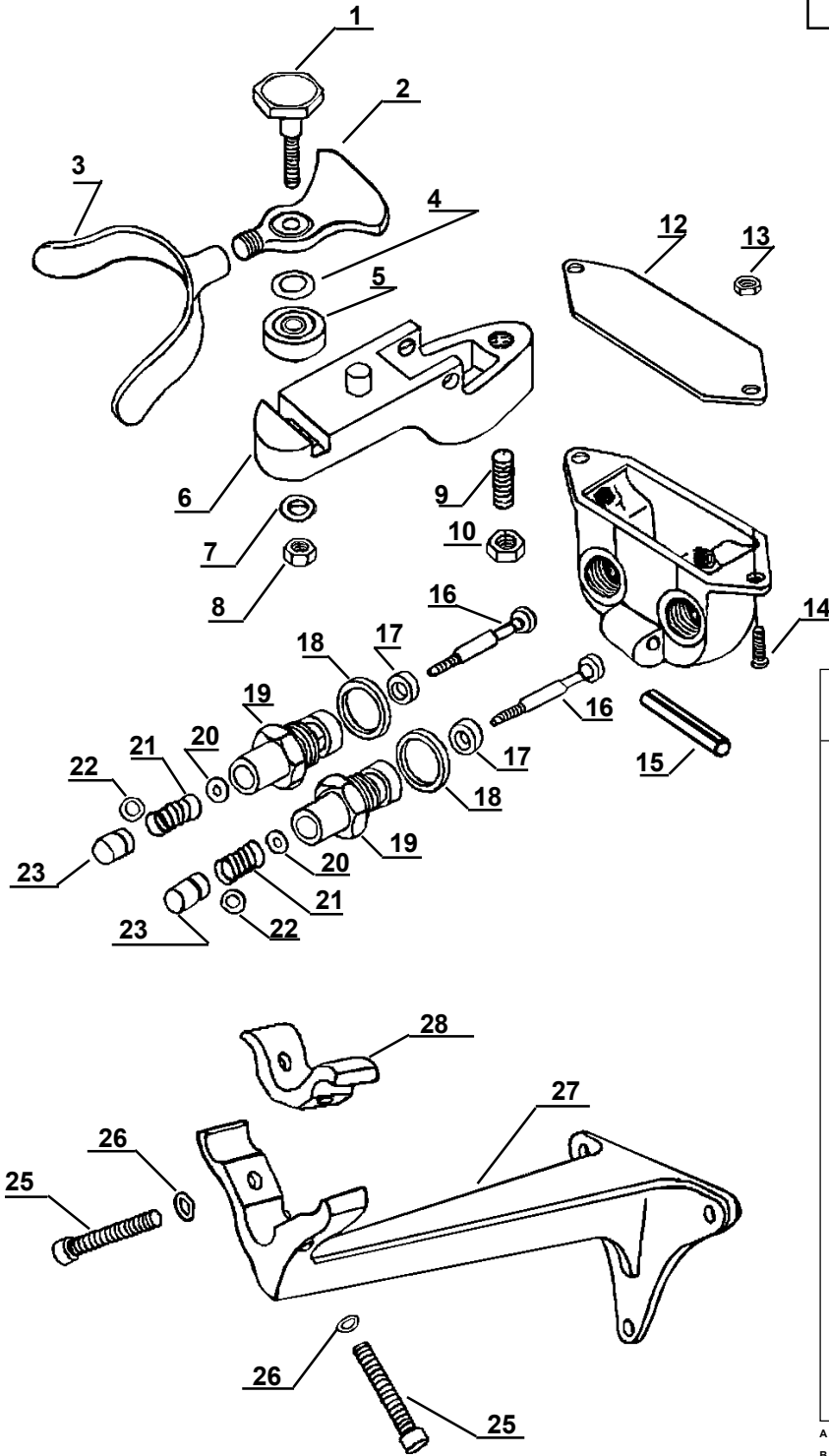
PH: 847-678-5150 . FAX: 847-678-6817

E-MAIL: custserv@justmfg.com . www.justmfg.com



FAUCET GROUP

WALL MOUNTED KNEE VALVE



Item No.	Part No.	Description
1	630-40	Bolt
2	123-40	Cam
3	125-40	Stirrup
4	1060-45	"O" Ring
5	738-40	Bushing
6	124-40	Cantilever
7	977-45	Star Washer
8	964-45	Locknut
9	1123-45	Screw
10	952-25	Locknut
11		
12	1253-45	Cover Plate
13	951-45	Nut ^A
14	919-45	Screw ^A
15	1310-45	Roll pin
16	842-20	Stem
17	1084-45	Seat washer ^B
18	1040-45	Binding washer ^B
19	1525-25	Bonnet ^B
20	974-45	Brass washer ^B
21	892-45	Spring ^B
22	1075-45	"O" Ring ^B
23	534-20	Button ^B
25	943-45	Screw
26	989-25	Washer
27	235-28	Wall support
28	236-28	Bracket

^A - Requires 2 .

^B - One required each for hot and cold.

Stem Assembly - (Cold) - KVSC - (Items 16 thru 23)
 Stem Assembly - (Hot) - KVSH - (Items 16 thru 23)

JUST MFG. COMPANY CONTINUES TO MAKE QUALITY AND FUNCTIONALITY A MARK OF THE JUST PRODUCT LINE. TO DO SO WE RESERVE THE RIGHT TO CHANGE PRODUCT INFORMATION WITHOUT NOTICE. DIMENSIONS MAY VARY AND ARE SUBJECT TO CHANGE WITHOUT NOTICE. NO RESPONSIBILITY IS ASSUMED FOR USE OF SUPERCEDED OR VOIDED DATA. FOR THE MOST CURRENT AND ACCURATE INFORMATION REGARDING THE COMPLETE LINE OF JUST SINKS, FAUCETS AND DRAINS, CLICK ON THE *SPEC LINE DRAWINGS* LINK ON OUR WEB SITE AT www.justmfg.com

JUST MANUFACTURING COMPANY

9233 KING STREET . FRANKLIN PARK . ILLINOIS . 60131-2111

PH: 847-678-5150 . FAX: 847-678-6817

E-MAIL: custserv@justmfg.com . www.justmfg.com