



JHD-ADA-1440



ACCESSORY GROUP

ADA COMPLIANT
AUTOMATIC HAND DRYER

SUBMITTAL DATA



SPECIFICATION

Controls: Automatic on/off, activated by infrared sensor. Operates while hands are under dryer, automatically shuts off when hands are removed. Power cuts off automatically at 60 seconds in case of irregular use. Maximized Efficiency: Blue light indicates to user where hands should be placed for optimal drying time. Cover: One piece, vandal resistant with (2) tamper-resistant lock screws, stainless steel with brushed finish

PRODUCT HIGHLIGHTS:

- Automatic infrared sensor activation.
- Power cutoff automatic after 60sec.
- 95% cost savings over paper towels.
- Adjustable sensor and speed.
- Durable and vandal resistant.

TECHNICAL DATA

CONSTRUCTION:

Stainless steel cover.
 Motor Thermal Protection - motor turns off at 275°F
 Heater thermal protection - auto resetting thermostat turns unit off at 185°F.
 Circuit operation: Infrared automatic, self adjusting.
 Decibel level: 76 +/-3dB
 Motor - 950w (450W when heater turned off)
 Net weight - 8.4 lbs.
 Operating voltage - available 110/120V or 220/240V
 Motor Type: 11/16HP, Brush Type, Dual Ball Bearings
 Heater Thermal
 Protection: Thermal Cut Off at 185°F (85°C)
 Heating Element: 900W
 Drip Proof: IP23
 Isolation: Class 1
 Air Output Temperature: 131° F (55°C),
 Adjustable Ambient Temp, 77°F (25°C)
 RPM: 16,000-29,000 Adjustable

FINISH

Brushed stainless steel.

CONSTRUCTION

Stainless steel

AIR FLOW RATE

21,243 LFM

A.D.A. COMPLIANT

Yes



JUST MFG. COMPANY CONTINUES TO MAKE QUALITY AND FUNCTIONALITY A MARK OF THE JUST PRODUCT LINE. TO DO SO REQUIRES THAT WE RESERVE THE RIGHT TO CHANGE PRODUCT INFORMATION WITHOUT NOTICE. DIMENSIONS MAY VARY AND ARE SUBJECT TO CHANGE WITHOUT NOTICE. NO RESPONSIBILITY IS ASSUMED FOR USE OF SUPERCEDED OR VOIDED DATA. FOR THE MOST CURRENT AND ACCURATE INFORMATION REGARDING THE COMPLETE LINE OF JUST SINKS, FAUCETS AND DRAINS, CLICK ON THE SPEC LINE DRAWINGS LINK ON OUR WEB SITE AT www.justmfg.com

APPROVED FOR MANUFACTURING

MODEL NO.: **JHD-ADA-1440** QTY: _____

JOB NAME: _____

TAG/ITEM: _____

CUSTOMER: _____

SIGNATURE: _____

JUST MANUFACTURING COMPANY

9233 KING STREET . FRANKLIN PARK . ILLINOIS . 60131-2111

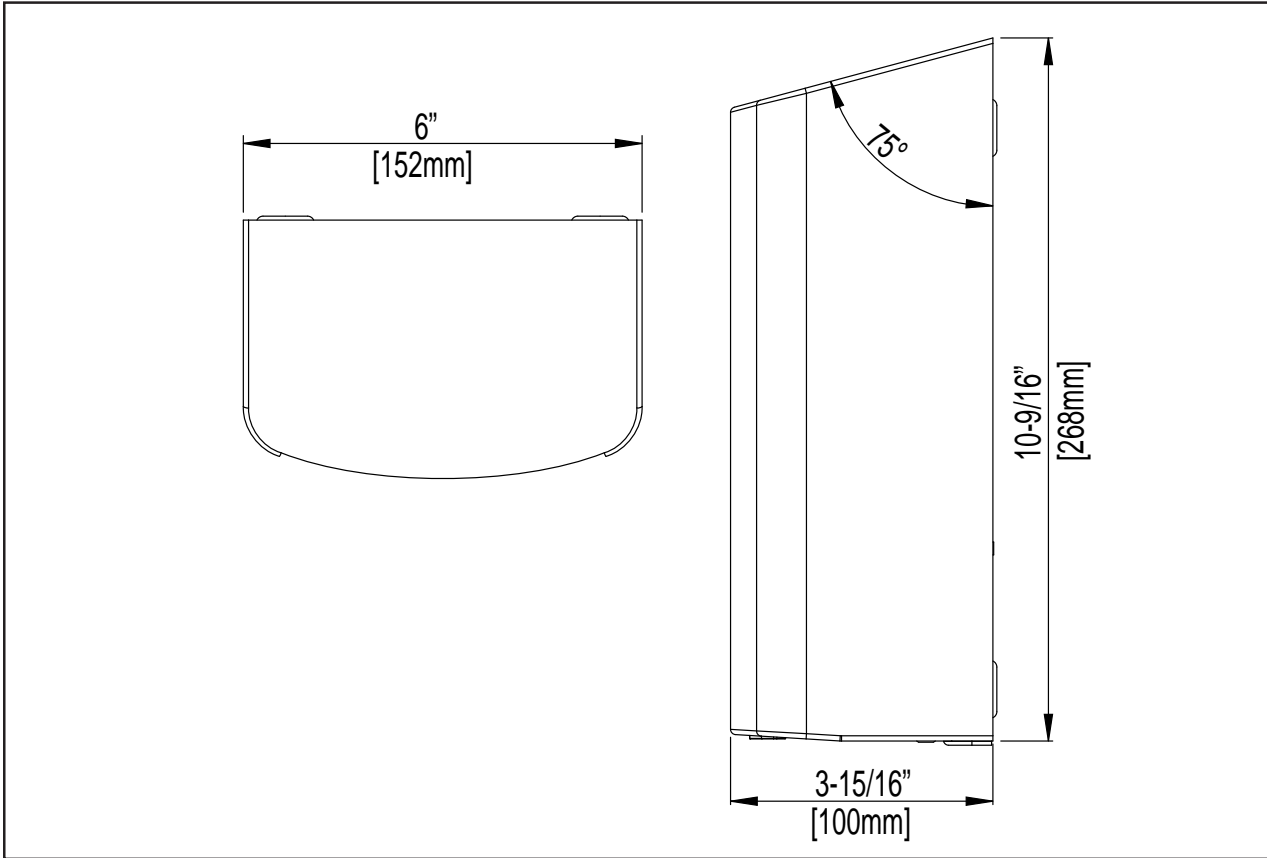
PH: 847-678-5150 . FAX: 847-678-6817 . E-MAIL: custserv@justmfg.com . www.justmfg.com



JHD-ADA-1440

ACCESSORY GROUP AUTOMATIC HAND DRYER

PARTS DATA



Placement Instructions

- Hand dryers should be spaced at least 2 feet apart, near but not over the wash basin.
- In congested areas, dryers should be located to create a flow from wash basin to dryer to exit.
- Dryer should be mounted at least 18" above or away from reflective surfaces which may interfere with the automatic sensor operation.
- Dryer Quantity recommendation:
 - Average Traffic: (1) Dryer per (2) wash basins.
 - Heavy Traffic: (1) Dryer per wash basin.
 - Circular wash fountains - 54"- Industrial installations: (4) Dryers per sink.

Recommended mounting height from floor to dryer bottom edge:

Application	Height:
Men's Washrooms	50" (1270 mm)
Women's Washrooms	47" (1194 mm)
Children's Washroom-Ages 4 to 7	35" (889 mm)
Children's Washroom-Ages 8 to 10	39" (991 mm)
Children's Washroom-Ages 11 to 13	40" (102cm)
Children's Washroom-Ages 14 to 16	47" (1194 mm)
Handicap Mounting Height	"0" (1016 mm)

JUST MFG. COMPANY CONTINUES TO MAKE QUALITY AND FUNCTIONALITY A MARK OF THE JUST PRODUCT LINE. TO DO SO REQUIRES THAT WE RESERVE THE RIGHT TO CHANGE PRODUCT INFORMATION WITHOUT NOTICE. DIMENSIONS MAY VARY AND ARE SUBJECT TO CHANGE WITHOUT NOTICE. NO RESPONSIBILITY IS ASSUMED FOR USE OF SUPERCEDED OR VOIDED DATA. FOR THE MOST CURRENT AND ACCURATE INFORMATION REGARDING THE COMPLETE LINE OF JUST SINKS, FAUCETS AND DRAINS, CLICK ON THE **SPEC LINE DRAWINGS** LINK ON OUR WEB SITE AT www.justmfg.com

JUST MANUFACTURING COMPANY

9233 KING STREET • FRANKLIN PARK • ILLINOIS • 60131-2111

PH: 847-678-5150 . FAX: 847-678-6817

E-MAIL: custserv@justmfg.com . www.justmfg.com