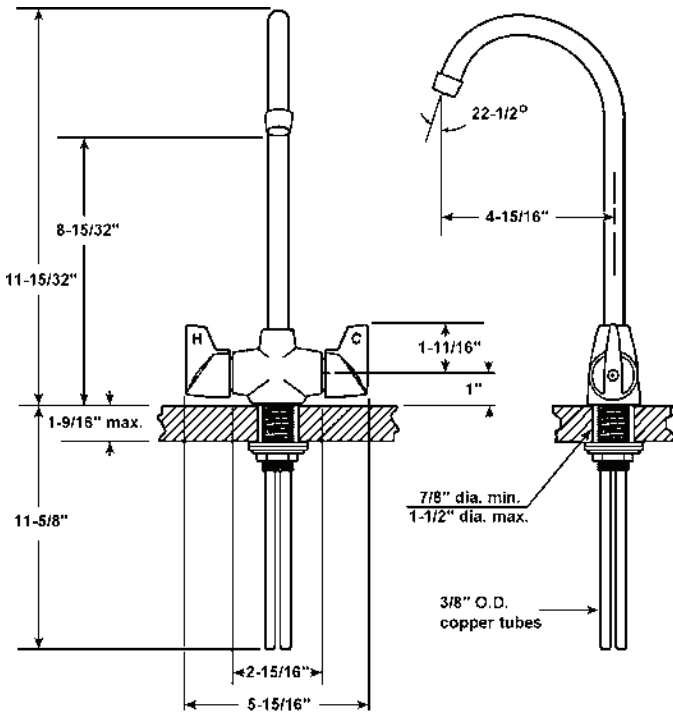




FAUCET GROUP



OPTIONS HANDLES

- 4" Wrist Blades "W4"
- 6" Wrist Blades "W6"
- Canopy Type "C" (not ADA)
- Acrylic "P" (not ADA)

AERATOR

- Duo Stream Swivel "B"
- Rose Spray "J-RS"

VANDAL RESISTANT

- Aerator "VR-A"
- Handles "VR-H"

Job Name _____
Customer _____
Architect/Engineer _____
APPROVED FOR MANUFACTURING
Model No. _____ Qty. _____
Company _____
Title _____ Date _____
SIGNATURE _____

REVISED- 2013

JGN-740

BAR & PANTRY FAUCET



TECHNICAL DATA CONSTRUCTION:

- Single hole deck mounted
- Solid cast brass body
- Brass rigid gooseneck spout
- Replaceable seats
- Brass quarter turn quick compression stem units
- Replaceable reinforced nitrile rubber packing
- Replaceable Buna-N seat washers
- Chrome plated die cast lever handles
- Handles are indexed "H" & "C"
- Equipped with water saving aerator
- Certified by IAPMO R&T to:

- * NSF/ANSI 61- 2010a
- * UPC
- * NSF/ANSI 61- Annex G
- * IPC
- * Low Lead
- * ADA Compliant
- * ANSI A112.18.1 / CSA B125.1



FINISH

Polished chrome plate

FLOW RATE

2.2 GPM flow restricting aerator

A.D.A. COMPLIANT

Yes

VARIANTS

JGN-750 = JGN-740 w/ swivel spout

JUST MFG. COMPANY CONTINUES TO MAKE QUALITY AND FUNCTIONALITY A MARK OF THE JUST PRODUCT LINE. TO DO SO REQUIRES THAT WE RESERVE THE RIGHT TO CHANGE PRODUCT INFORMATION WITHOUT NOTICE. DIMENSIONS MAY VARY AND ARE SUBJECT TO CHANGE WITHOUT NOTICE. NO RESPONSIBILITY IS ASSUMED FOR USE OF SUPERCEDED OR VOIDED DATA. FOR THE MOST CURRENT AND ACCURATE INFORMATION REGARDING THE COMPLETE LINE OF JUST SINKS, FAUCETS AND DRAINS, CLICK ON THE SPEC LINE DRAWINGS LINK ON OUR WEB SITE AT www.justmfg.com

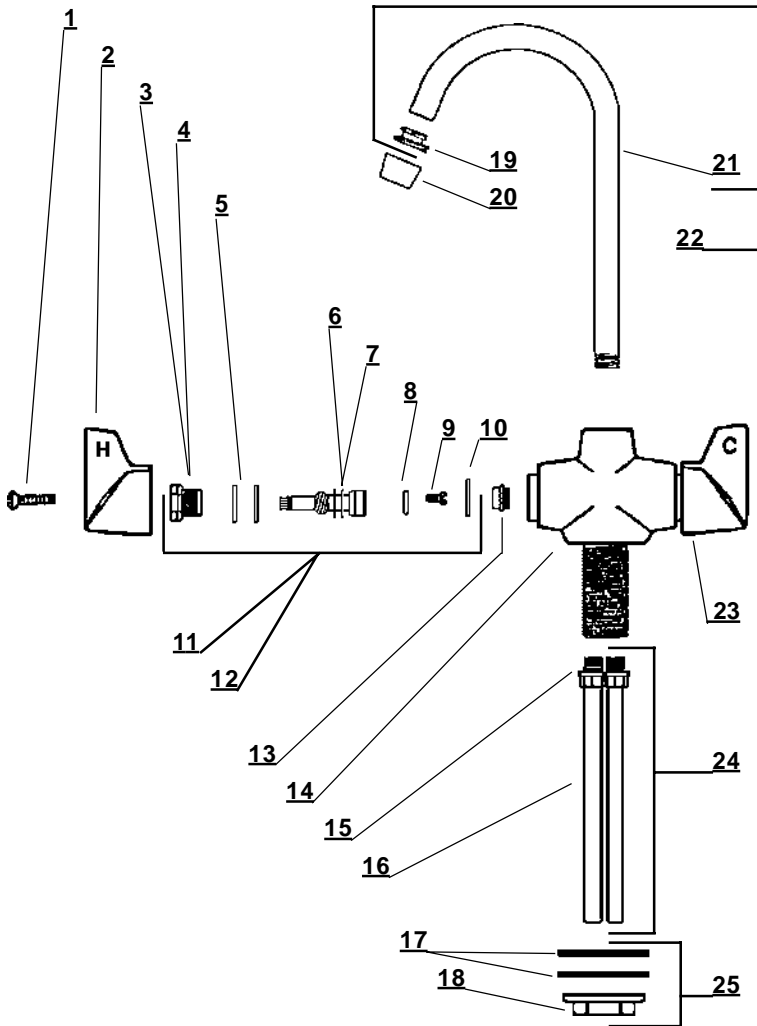
JUST MANUFACTURING COMPANY
9233 KING STREET . FRANKLIN PARK . ILLINOIS . 60131-2111
PH: 847-678-5150 . FAX: 847-678-6817
E-MAIL: custserv@justmfg.com . www.justmfg.com

SUBMITTAL DATA



FAUCET GROUP

BAR & PANTRY FAUCET



Item No.	Part No.	Description
1	107-H	Handle Screw
2	PF-518-H	Handle - Hot
3	454-EWC	Bonnet (Cold Side)
4	454-EWH	Bonnet (Hot Side)
5	1038-453	O-Ring
6	454-FL	Stem (Cold Side)
7	454-FR	Stem (Hot Side)
8	901-WN	Seat Washer
9	104	Seat Washer Screw
10	1028-Y	Gasket
11	SU-454-EL	Stem Sub-Unit (Cold Side)
12	SU-454-ER	Stem Sub-Unit (Hot Side)
13	263-BC	Replaceable Seat
14	1759-J	Body (not available separately)
15	1038-CC	"O" ring
16	SU-702-10	Supply tube
17	52	Steel Washer
18	4090-SK02	Locknut
19	PF-166-U	Adaptor
20	30-M	Aerator
21	PF-157-J	Spout
22	SU-157-JA	Spout Assembly
23	PF-518-C	Handle - Cold
24	G-702-10	Supply tube assembly
25	G-284	Nut & washer mounting kit

JUST MFG. COMPANY CONTINUES TO MAKE QUALITY AND FUNCTIONALITY A MARK OF THE JUST PRODUCT LINE. TO DO SO REQUIRES THAT WE RESERVE THE RIGHT TO CHANGE PRODUCT INFORMATION WITHOUT NOTICE. DIMENSIONS MAY VARY AND ARE SUBJECT TO CHANGE WITHOUT NOTICE. NO RESPONSIBILITY IS ASSUMED FOR USE OF SUPERCEDED OR VOIDED DATA. FOR THE MOST CURRENT AND ACCURATE INFORMATION REGARDING THE COMPLETE LINE OF JUST SINKS, FAUCETS AND DRAINS, CLICK ON THE **SPEC LINE DRAWINGS** LINK ON OUR WEB SITE AT www.justmfg.com

JUST MANUFACTURING COMPANY
 9233 KING STREET . FRANKLIN PARK . ILLINOIS . 60131-2111
 PH: 847-678-5150 . FAX: 847-678-6817
 E-MAIL: custserv@justmfg.com . www.justmfg.com