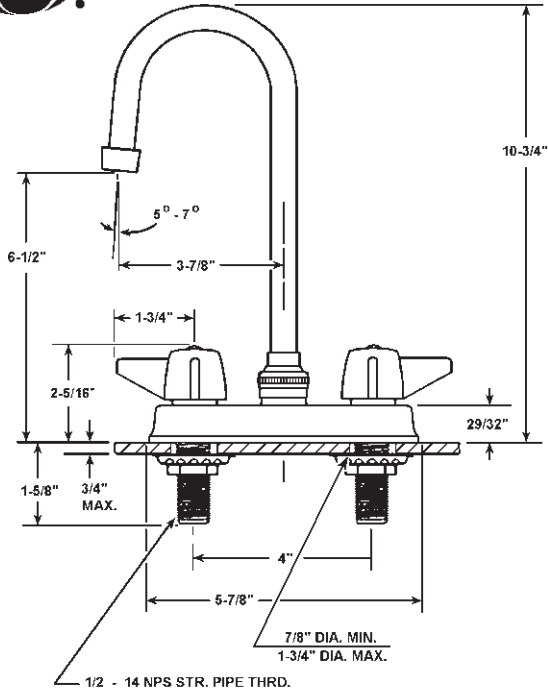




JGN-5

FAUCET GROUP BAR / LAUNDRY SINK FAUCET

SUBMITTAL DATA



TECHNICAL DATA CONSTRUCTION:

- Deck mounted on 4 inch centers
- Cast brass body with chrome plated brass shell
- Brass gooseneck swivel spout
- Replaceable seats
- Brass quarter turn quick compression stem units
- Replaceable reinforced nitrile rubber packing
- Replaceable Buna-N seat washers
- Chrome plated die cast lever handles
- Handles are indexed "H" & "C"
- Equipped with water saving aerator

Certified by IAPMO R&T to:

- * NSF/ANSI 61- 2010a
- * NSF/ANSI 372
- * Low Lead
- * ANSI A112.18.1 / CSA B125.1
- * UPC
- * IPC
- * ADA Compliant



FLOW RATE

1.5 GPM flow restricting aerator

A.D.A. COMPLIANT

Yes

VARIANTS

JGN-4 = JGN-5 w/ rigid spout

FINISH

Polished chrome plate

APPROVED FOR MANUFACTURING

MODEL NO.: **JGN-5** QTY: _____

JOB NAME: _____

TAG/ITEM: _____

CUSTOMER: _____

SIGNATURE: _____

| OPTIONS | |
|-------------------------|---------|
| AERATORS / FLOW CONTROL | |
| 0.5 GPM | 2.2 GPM |
| 1.0 GPM | |
| HANDLES | |
| W4 - 4" Wrist Blades | |
| W6 - 6" Wrist Blades | |
| VANDAL RESISTANT | |
| Handles - VR-H | |
| Aerator - VR-A | |

JUST MFG. COMPANY CONTINUES TO MAKE QUALITY AND FUNCTIONALITY A MARK OF THE JUST PRODUCT LINE. WE RESERVE THE RIGHT TO CHANGE PRODUCT INFORMATION WITHOUT NOTICE. DIMENSIONS MAY CHANGE AND MAY BE SUBJECT TO CHANGE WITHOUT NOTICE. NO RESPONSIBILITY IS ASSUMED FOR USE OF SUPERCEDED OR VOIDED DATA. JUST MFG. CO. SINKS ARE MADE IN THE U.S.A. WHEN COMPARING OTHER BRAND PRODUCTS, BE SURE TO COMPARE USA QUALITY ALONG WITH FEATURES AND DIMENSIONS.

JUST MANUFACTURING COMPANY

9233 KING STREET . FRANKLIN PARK . ILLINOIS . 60131-2111

PH: 847-678-5150

FAX: 847-678-6817

E-MAIL: custserv@justmfg.com

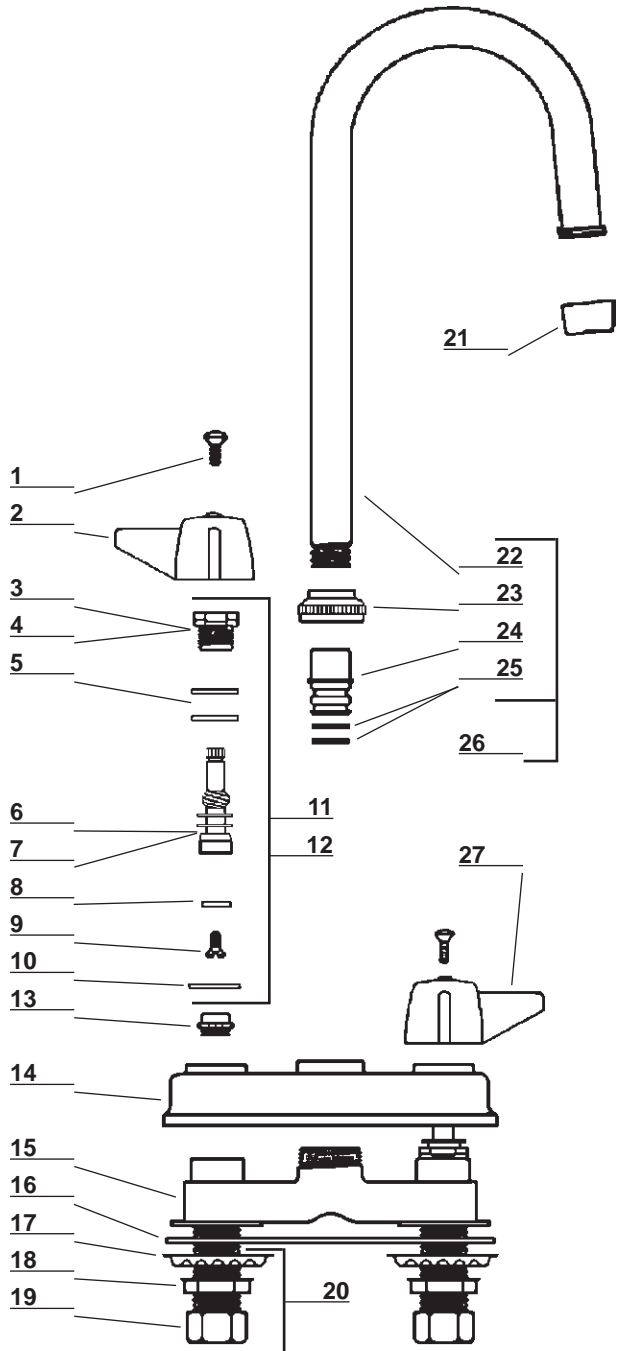
www.justmfg.com



JGN-5

BAR / LAUNDRY SINK FAUCET

PARTS DATA



| Item No. | Part No. | Description |
|----------|--------------|---------------------------------|
| 1 | 107-F | Handle Screw |
| 2 | 523-H | Handle - Hot |
| 3 | 454-EC | Bonnet (Cold Side) |
| 4 | 454-EH | Bonnet (Hot Side) |
| 5 | 1038-453 | Washer |
| 6 | 454-FL | Stem (Cold Side) |
| 7 | 454-FR | Stem (Hot Side) |
| 8 | 901-WN | Seat Washer |
| 9 | 104 | Seat Washer Screw |
| 10 | 1028-Y | Gasket |
| 11 | SU-454-EL | Stem Sub-Unit (Cold Side) |
| 12 | SU-454-ER | Stem Sub-Unit (Hot Side) |
| 13 | 263-BC | Replaceable Seat |
| 14 | PF-392 | Cover |
| 15 | 2145 | Body (not available separately) |
| 16 | 392-G | Gasket |
| 17 | 54 | Steel Washer |
| 18 | 7133-AL | Locknut |
| 19 | 4015 | Coupling Nut |
| 20 | G-913-A | Washer & Nut Assembly |
| 21 | 30-M.1.5 | Aerator |
| 22 | PF-157-GA*02 | Gooseneck Spout |
| 23 | PF-782-DES | Spout Nut |
| 24 | PF-741-DOA | Adaptor |
| 25 | 1038-K | O-Ring |
| 26 | SU-157-GS | Gooseneck Spout Assembly |
| 27 | 523-C | Handle - Cold |

JUST MANUFACTURING COMPANY

9233 KING STREET . FRANKLIN PARK . ILLINOIS . 60131-2111

PH: 847-678-5150 . FAX: 847-678-6817 . E-MAIL: custserv@justmfg.com . www.justmfg.com