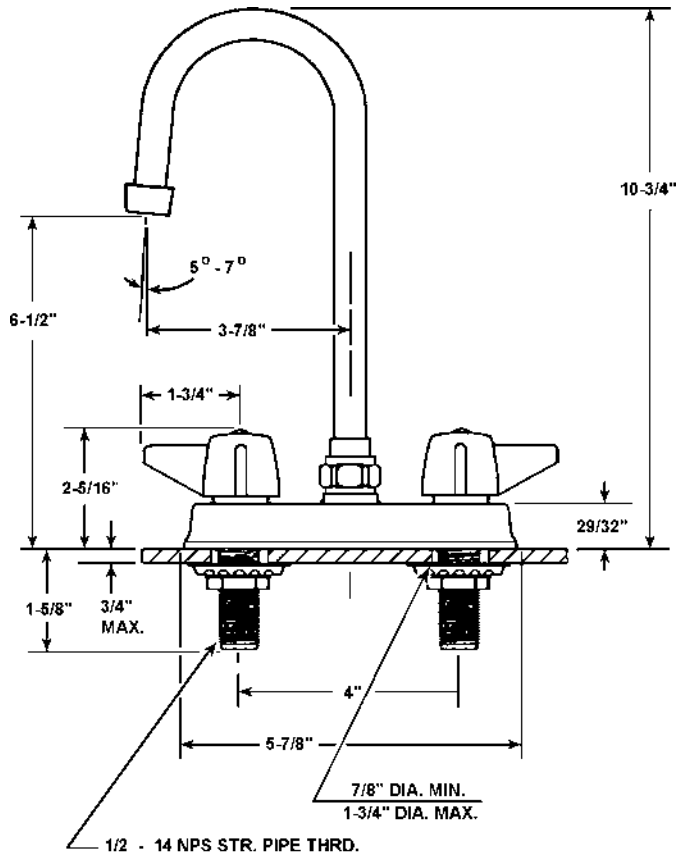




FAUCET GROUP



**OPTIONS
HANDLES**

- 4" Wrist Blades "W4"
- 6" Wrist Blades "W6"
- Canopy Type "C" (not ADA)
- Acrylic "P" (not ADA)

VANDAL RESISTANT

- Handles "VR-H"
- Aerator "VR-A"

Job Name _____

Customer _____

Architect/Engineer _____

APPROVED FOR MANUFACTURING

. O N L E D O M . Y T Q _____

COMPANY _____

E L T I T _____ E T A D _____

SIGNATURE _____

REVISED- 2013

JGN-4

BAR / LAUNDRY SINK FAUCET



**TECHNICAL DATA
CONSTRUCTION:**

- Deck mounted on 4 inch centers
- Cast brass body chrome plated brass shell
- Brass gooseneck spout is rigid
- Replaceable seats
- Brass quarter turn quick compression stem units
- Replaceable reinforced nitrile rubber packing
- Replaceable Buna-N seat washers
- Chrome plated die cast lever handles are
- Handles are indexed "H" & "C"
- Equipped with water saving aerator
- Certified by IAPMO R&T to:

- * NSF/ANSI 61- 2010a
- * NSF/ANSI 61- Annex G
- * Low Lead
- * ANSI A112.18.1 / CSA B125.1
- * UPC
- * IPC
- * ADA Compliant



FINISH

Polished chrome plate

FLOW RATE

1.5 GPM flow restricting aerator

A.D.A. COMPLIANT

Yes

VARIANTS

JGN-5 = JGN-4 w/ swiveling spout

JUST MFG. COMPANY CONTINUES TO MAKE QUALITY AND FUNCTIONALITY A MARK OF THE JUST PRODUCT LINE. TO DO SO REQUIRES THAT WE RESERVE THE RIGHT TO CHANGE PRODUCT INFORMATION WITHOUT NOTICE. DIMENSIONS MAY VARY AND ARE SUBJECT TO CHANGE WITHOUT NOTICE. NO RESPONSIBILITY IS ASSUMED FOR USE OF SUPERCEDED OR VOIDED DATA. FOR THE MOST CURRENT AND ACCURATE INFORMATION REGARDING THE COMPLETE LINE OF JUST SINKS, FAUCETS AND DRAINS, CLICK ON THE SPEC LINE DRAWINGS LINK ON OUR WEB SITE AT www.justmfg.com

JUST MANUFACTURING COMPANY

9233 KING STREET . FRANKLIN PARK . ILLINOIS . 60131-2111

PH: 847-678-5150 . FAX: 847-678-6817

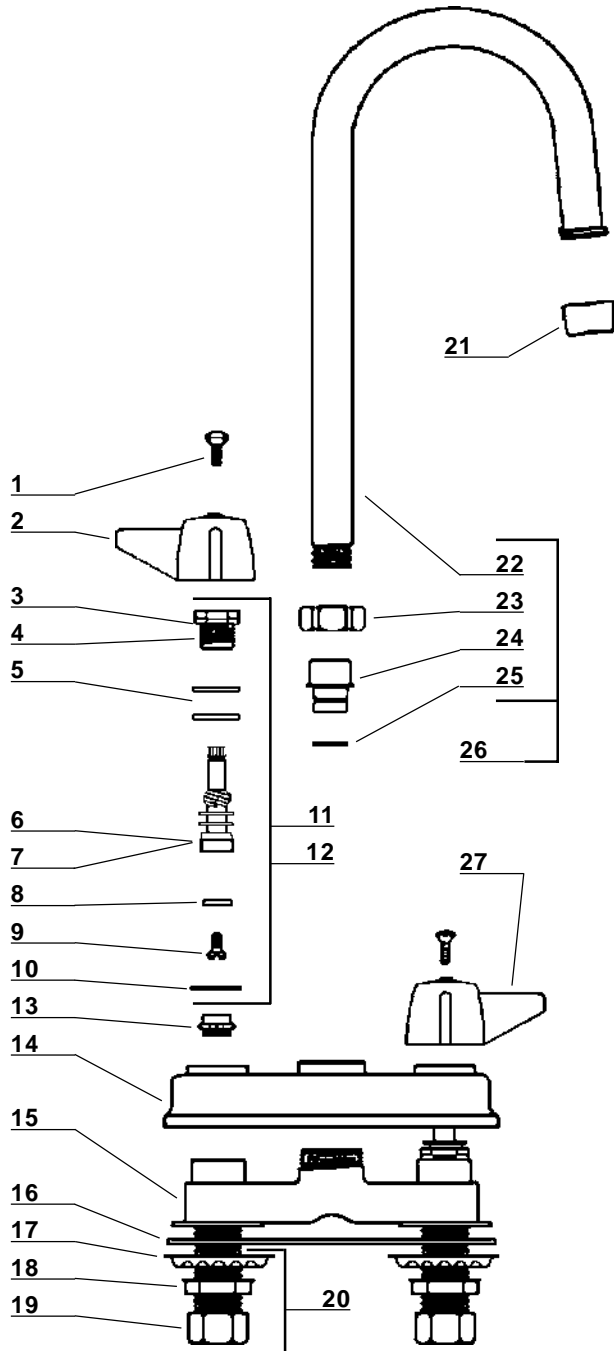
E-MAIL: custserv@justmfg.com . www.justmfg.com

SUBMITTAL DATA



FAUCET GROUP

BAR/LAUNDRY SINK FAUCET



Item No.	Part No.	Description
1	107-F	Handle Screw
2	523-H	Handle - Hot
3	454-EC	Bonnet (Cold Side)
4	454-EH	Bonnet (Hot Side)
5	1038-453	Washer
6	454-FL	Stem (Cold Side)
7	454-FR	Stem (Hot Side)
8	901-WN	Seat Washer
9	104	Seat Washer Screw
10	1028-Y	Gasket
11	SU-454-EL	Stem Sub-Unit (Cold Side)
12	SU-454-ER	Stem Sub-Unit (Hot Side)
13	263-BC	Replaceable Seat
14	PF-392	Cover
15	2145	Body (not available separately)
16	392-G	Gasket
17	54	Steel Washer
18	7133-AL	Locknut
19	4015	Coupling Nut
20	G-913-A	Washer & Nut Assembly
21	30-M	Aerator
22	PF-157-GA*02	Gooseneck Spout
23	PF-2843-49*02	Spout Nut
24	PF-741-SOR	Adaptor
25	1038-K	O-Ring
26	SU-157-GR	Gooseneck Spout Assembly
27	523-C	Handle - Cold

JUST MFG. COMPANY CONTINUES TO MAKE QUALITY AND FUNCTIONALITY A MARK OF THE JUST PRODUCT LINE. TO DO SO REQUIRES THAT WE RESERVE THE RIGHT TO CHANGE PRODUCT INFORMATION WITHOUT NOTICE. DIMENSIONS MAY VARY AND ARE SUBJECT TO CHANGE WITHOUT NOTICE. NO RESPONSIBILITY IS ASSUMED FOR USE OF SUPERCEDED OR VOIDED DATA. FOR THE MOST CURRENT AND ACCURATE INFORMATION REGARDING THE COMPLETE LINE OF JUST SINKS, FAUCETS AND DRAINS, CLICK ON THE **SPEC LINE DRAWINGS** LINK ON OUR WEB SITE AT www.justmfg.com

JUST MANUFACTURING COMPANY
 9233 KING STREET . FRANKLIN PARK . ILLINOIS . 60131-2111
 PH: 847-678-5150 . FAX: 847-678-6817
 E-MAIL: custserv@justmfg.com . www.justmfg.com