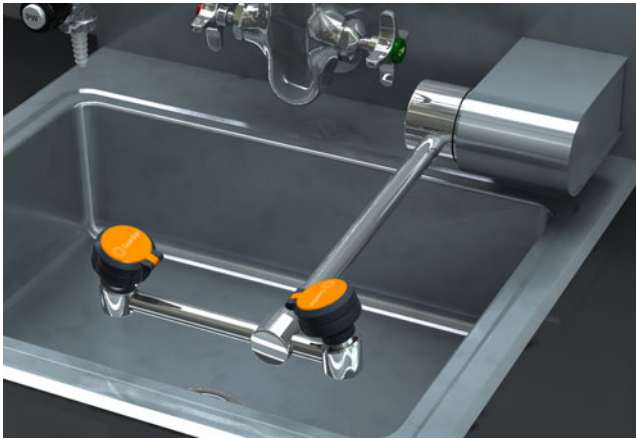




JG-1800

**ACCESSORY GROUP**  
**EYEWASH - BACKSPLASH MOUNT**

SUBMITTAL DATA



**SPECIFICATION**

Wall mounted "AutoFlow" swivel eye wash, backsplash mount, 1/2" IPS plug-type valve with Teflon coated O-ring seals and stainless steel enclosure. Supplied with in-line strainer to prevent debris from affecting the valve. Unit shall have (2) polypropylene 'GS Plus' spray heads with integral "flip-top" dust covers, filters and 1.8-GPM flow control orifices mounted on a chrome plated brass eyewash assembly (Specify spray head configuration). Activate valve by rotating 90° from stored position. Unit shall include ANSI compliant sign.

Performance: Unit shall be fully factory assembled and hydrostatically tested to meet or exceed ANSI Z358.1 – 2009, and come with a full 2-year warranty.

**Application:**

Eyewash mounts on backsplash, spray head swings down from storage to operating position activating water flow. Configurations of spray heads available to minimize obstructions at sink.

**Spray head assembly:**

Each head has a flip-top dust cover, internal flow control and filter to remove impurities from water flow.

**Valve:**

1/2" IPS plug-type vave with Teflon coated O-ring seals. Swinging head from storage postion to operating position opens orifice and activates water flow. Unit remains operational until head assembly is returned to storage position.

**Strainer:**

In-line strainer furnished with unit to protect valve and spray heads from debris in water supply.

**Mounting:**

Mount housing on backsplash using mounting hardware. Valve is installed in type 316 stainless steel housing.

**Construction:**

Polished chrome plated brass.

**Supply:**

1/2" NPT female inlet

**Sign:**

ANSI-compliant identification sign included.

**Quality Assurance:**

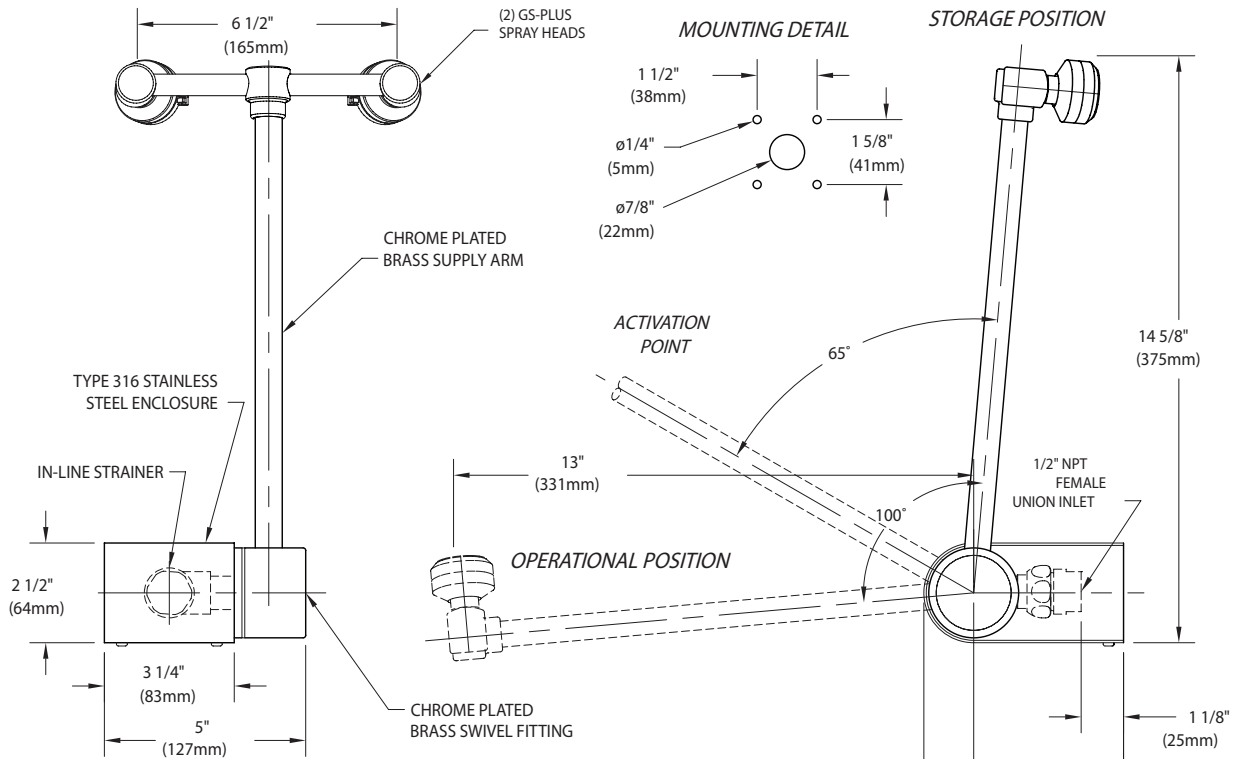
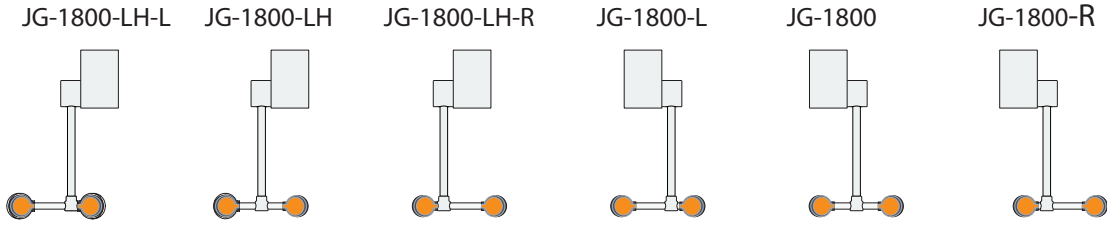
Unit is completely assembled and tested prior to shipment.

APPROVED FOR MANUFACTURING	
MODEL NO.:	JG-1800 QTY: _____
JOB NAME:	_____
TAG/ITEM:	_____
CUSTOMER:	_____
SIGNATURE:	_____

JUST MFG. COMPANY CONTINUES TO MAKE QUALITY AND FUNCTIONALITY A MARK OF THE JUST PRODUCT LINE. WE RESERVE THE RIGHT TO CHANGE PRODUCT INFORMATION WITHOUT NOTICE. DIMENSIONS MAY CHANGE AND MAY BE SUBJECT TO CHANGE WITHOUT NOTICE. NO RESPONSIBILITY IS ASSUMED FOR USE OF SUPERCEDED OR VOIDED DATA. JUST MFG. CO. SINKS ARE MADE IN THE U.S.A. WHEN COMPARING OTHER BRAND PRODUCTS, BE SURE TO COMPARE USA QUALITY ALONG WITH FEATURES AND DIMENSIONS.

**JUST MANUFACTURING COMPANY** 9233 KING STREET . FRANKLIN PARK . ILLINOIS . 60131-2111  
PH: 847-678-5150 . FAX: 847-678-6817 . E-MAIL: [custserv@justmfg.com](mailto:custserv@justmfg.com) . [www.justmfg.com](http://www.justmfg.com)

# JG-1800 FAUCET GROUP EYEWASH CONFIGURATION OPTIONS



**NOTES:**

1. SWINGING OUTLET HEAD ASSEMBLY DOWN 100 DEGREES FROM VERTICAL TO HORIZONTAL POSITION ACTIVATES WATER FLOW.
2. EACH GS-PLUS SPRAY HEAD HAS A "FLIP-TOP" DUST COVER, INTERNAL FLOW CONTROL AND FILTER TO REMOVE IMPURITIES FROM THE WATER FLOW.
3. MOUNT HOUSING ON WALL USING ANCHORS OR OTHER HARDWARE.
4. UNIT IS FURNISHED WITH IN-LINE STRAINER TO PROTECT SPRAY HEADS AND VALVE COMPONENTS FROM DEBRIS IN WATER LINE.
5. UNIT SHOULD BE INSTALLED SO SPRAY HEADS ARE 33"-45" ABOVE FINISHED FLOOR.
6. VALVE BEGINS TO OPEN AT "ACTIVATION POINT" SHOWN ABOVE.



**JUST MANUFACTURING COMPANY**

9233 KING STREET . FRANKLIN PARK . ILLINOIS . 60131-2111

PH: 847-678-5150 . FAX: 847-678-6817 . E-MAIL: [custserv@justmfg.com](mailto:custserv@justmfg.com) . [www.justmfg.com](http://www.justmfg.com)