

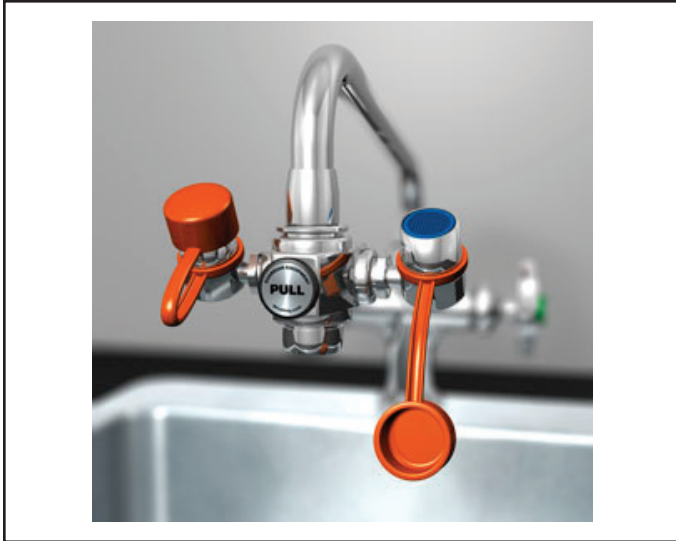


# JG-1100

## FAUCET GROUP

EYEWASH  
FAUCET MOUNT

SUBMITTAL DATA



### TECHNICAL DATA

#### CONSTRUCTION:

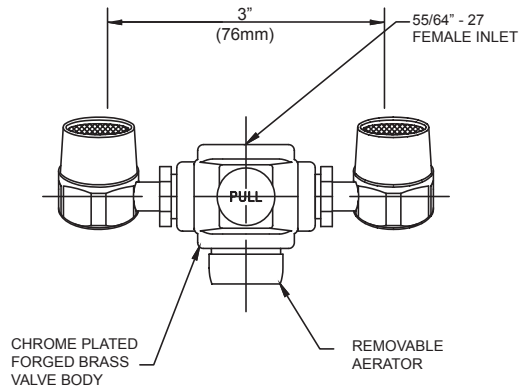
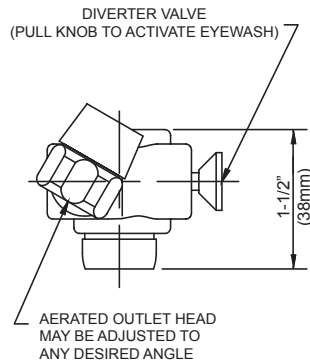
- Faucet mounted eyewash
- Chrome plated brass
- High visibility identification sign and inspection tag
- Outlet heads are mounted 3" apart
- Heads angle forward towards user
- Adjustable head angle permits full coverage
- Float-off dust covers protect outlet heads
- 55/64"-27 female thread body
- Includes (3) adapters (15/16"-27, 13/16"-27, 3/8" IPS)
- Removable aerator
- Cold water only

#### FINISH

Chrome plated

#### OPTIONS

- JE-4012 - 13/16"-24 Female adapter with O-ring
- JE-4015 - 3/4" Female hose adapter with O-ring



APPROVED FOR MANUFACTURING	
MODEL NO.:	<b>JG-1100</b>
QTY:	_____
JOB NAME:	_____
TAG/ITEM:	_____
CUSTOMER:	_____
SIGNATURE:	_____

JUST MFG. COMPANY CONTINUES TO MAKE QUALITY AND FUNCTIONALITY A MARK OF THE JUST PRODUCT LINE. TO DO SO REQUIRES THAT WE RESERVE THE RIGHT TO CHANGE PRODUCT INFORMATION WITHOUT NOTICE. DIMENSIONS MAY VARY AND ARE SUBJECT TO CHANGE WITHOUT NOTICE. NO RESPONSIBILITY IS ASSUMED FOR USE OF SUPERCEDED OR VOIDED DATA. FOR THE MOST CURRENT AND ACCURATE INFORMATION REGARDING THE COMPLETE LINE OF JUST SINKS, FAUCETS AND DRAINS, CLICK ON THE **SPEC LINE DRAWINGS** LINK ON OUR WEB SITE AT [www.justmfg.com](http://www.justmfg.com)

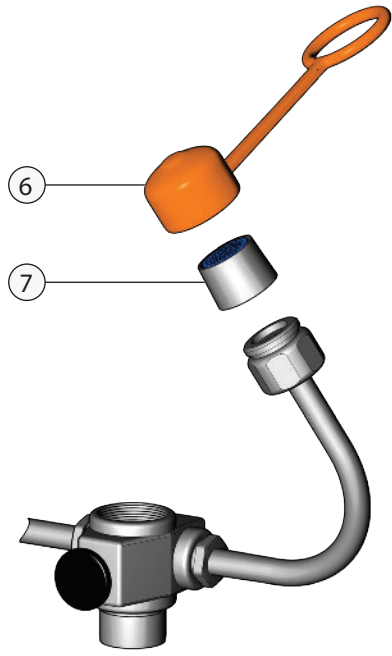
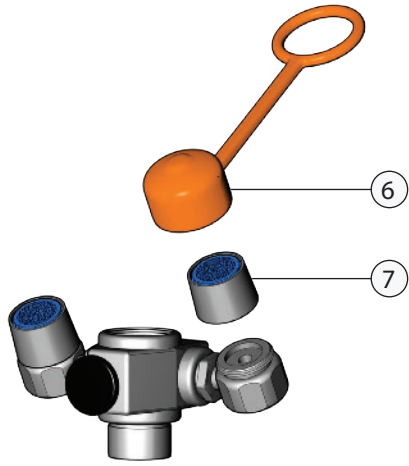
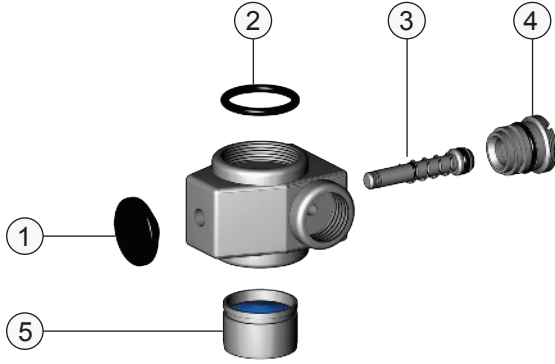
**JUST MANUFACTURING COMPANY**

9233 KING STREET . FRANKLIN PARK . ILLINOIS . 60131-2111

PH: 847-678-5150 . FAX: 847-678-6817 . E-MAIL: [custserv@justmfg.com](mailto:custserv@justmfg.com) . [www.justmfg.com](http://www.justmfg.com)



**JG-1100**  
**FAUCET GROUP**  
 EYEWASH  
 FAUCET MOUNT



Item No.	Part No.	Description
1	JE60-64	Actuating knob (2-pk)
2	JE60-28	Inlet O-ring (2-pk)
3	JE60-66	Valve stem w/O-ring and spring
4	JE60-65	Diverter w/O-rings
5	JE450-05	Outlet aerator assembly
6	JE250-46	Dust cover w/strap (2-pk)
7	JE450-10	Aerator assembly (2-pk)