



JFC-2026-WG

COMMERCIAL GROUP FLUSHING RIM CLINIC SINK with WALL-GUARD

SUBMITTAL DATA

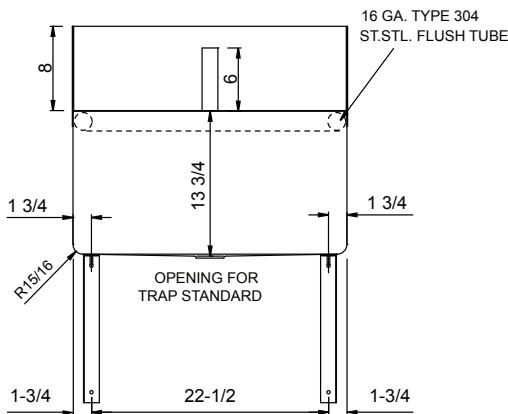
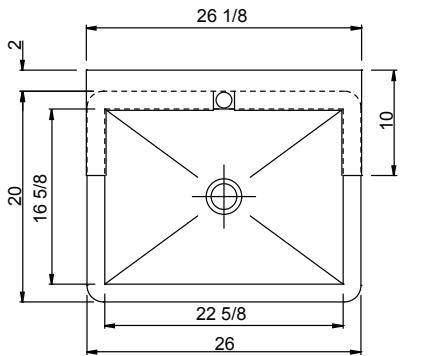
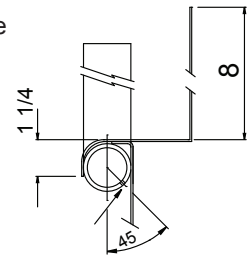


SPECIFICATION

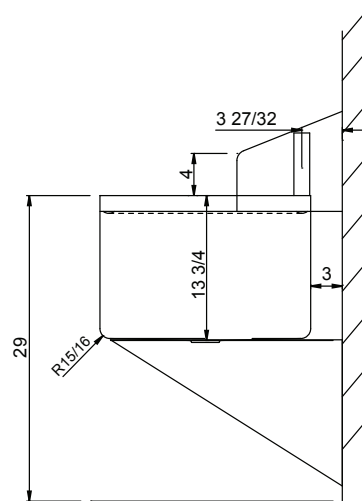
Welded construction of 14 ga. type 304, 18-8 stainless steel. Interior and top surfaces polished to a non-porous Hand-Blended Just Finish. Stainless steel flush rim with stainless steel riser to connect to flush valve (by others). Includes (2) 14 ga. type 304 stainless steel brackets; (1) JTS-1060 Trap Standard (S-trap).

NOTE:

- 30 psi minimum residual pressure required at flush valve inlet.
- Flush valve volume @6.5 gpf minimum.



SECTION THRU BACK RIM



APPROVED FOR MANUFACTURING

MODEL NO.: **JFC-2026-WG** QTY: _____

JOB NAME: _____

TAG/ITEM: _____

CUSTOMER: _____

SIGNATURE: _____



JUST MFG. COMPANY CONTINUES TO MAKE QUALITY AND FUNCTIONALITY A MARK OF THE JUST PRODUCT LINE. TO DO SO REQUIRES THAT WE RESERVE THE RIGHT TO CHANGE PRODUCT INFORMATION WITHOUT NOTICE. DIMENSIONS MAY VARY AND ARE SUBJECT TO CHANGE WITHOUT NOTICE. NO RESPONSIBILITY IS ASSUMED FOR USE OF SUPERCEDED OR VOIDED DATA. FOR THE MOST CURRENT AND ACCURATE INFORMATION REGARDING THE COMPLETE LINE OF JUST SINKS, FAUCETS AND DRAINS, CLICK ON THE **SPEC LINE DRAWINGS** LINK ON OUR WEB SITE AT www.justmfg.com

JUST MANUFACTURING COMPANY

9233 KING STREET . FRANKLIN PARK . ILLINOIS . 60131-2111

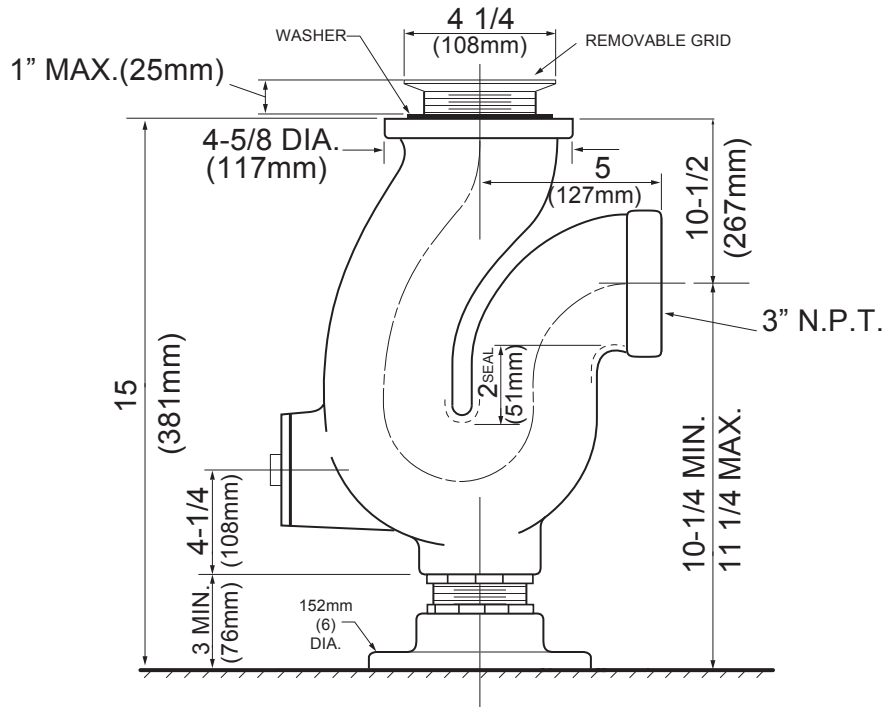
PH: 847-678-5150 . FAX: 847-678-6817 . E-MAIL: custserv@justmfg.com . www.justmfg.com



JTS-1060

FITTINGS GROUP
ADJUSTABLE TRAP STANDARD

SUBMITTAL DATA



TECHNICAL DATA

CONSTRUCTION:

- Cast Iron construction
- Chrome Plated Strainer
- Rubber Gasket
- Cleanout plug

FINISH

- Black coated outside
- Coated inside

Free Area

2.0 Sq. inches

| | |
|----------------------------|----------------------------|
| APPROVED FOR MANUFACTURING | |
| MODEL NO.: | JTS-1060 QTY: _____ |
| JOB NAME: | _____ |
| TAG/ITEM: | _____ |
| CUSTOMER: | _____ |
| SIGNATURE: | _____ |

Dimensions tolerance +/- 1/4".

Dimensions may vary and are subject to change. No responsibility is assumed for use of superseded or voided data.

JUST MFG. COMPANY CONTINUES TO MAKE QUALITY AND FUNCTIONALITY A MARK OF THE JUST PRODUCT LINE. WE RESERVE THE RIGHT TO CHANGE PRODUCT INFORMATION WITHOUT NOTICE. DIMENSIONS MAY CHANGE AND MAY BE SUBJECT TO CHANGE WITHOUT NOTICE. NO RESPONSIBILITY IS ASSUMED FOR USE OF SUPERCEDED OR VOIDED DATA. JUST MFG. CO. SINKS ARE MADE IN THE U.S.A. WHEN COMPARING OTHER BRAND PRODUCTS, BE SURE TO COMPARE USA QUALITY ALONG WITH FEATURES AND DIMENSIONS.

JUST MANUFACTURING COMPANY

9233 KING STREET . FRANKLIN PARK . ILLINOIS . 60131-2111

PH: 847-678-5150 . FAX: 847-678-6817 . E-MAIL: custserv@justmfg.com . www.justmfg.com