

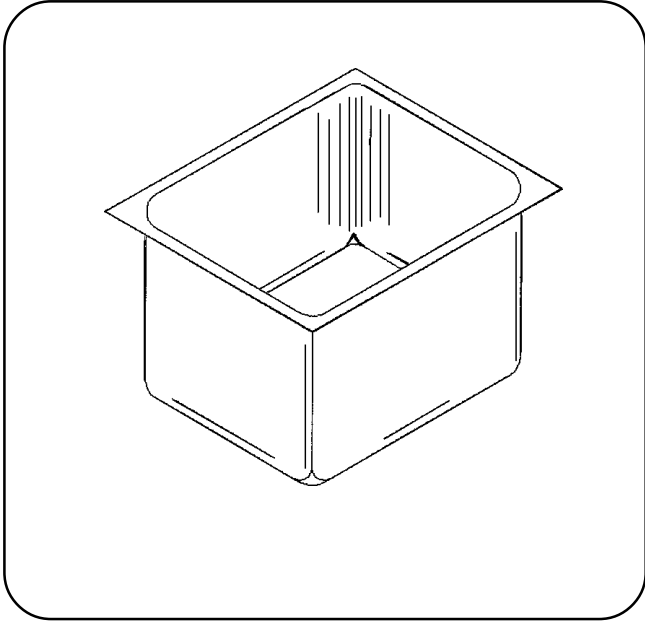
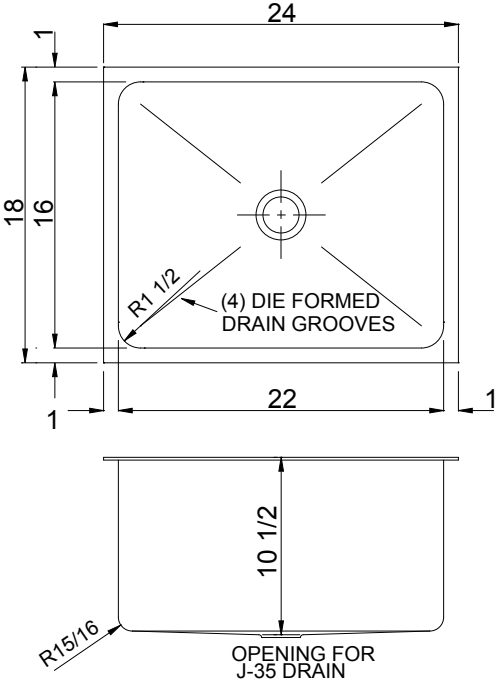


**JCDGUX-1824-A**

**DESIGNER SERIES**

***Epicurean I***

**SUBMITTAL DATA**



**SPECIFICATION**

Construction of 18 gauge type 304 stainless steel. Top deck and interior surfaces polished to a non-porous Hand-Blended Just Finish, with a highlighted bowl rim. Fully coated underside insulates for sound, and reduces condensation. Straight-sided compartment with large radius corners. Drain punch #35 for Just J-35 drain unless otherwise specified.

**15.67**  
Gallon Capacity

**Capacity Matters**  
Max ID sizing with straight sided bowl configuration (non tapered sides). Tight corner radius design.

JUST MFG. COMPANY CONTINUES TO MAKE QUALITY AND FUNCTIONALITY A MARK OF THE JUST PRODUCT LINE. TO DO SO REQUIRES THAT WE RESERVE THE RIGHT TO CHANGE PRODUCT INFORMATION WITHOUT NOTICE. DIMENSIONS MAY VARY AND ARE SUBJET TO CHANGE WITHOUT NOTICE. NO RESPONSIBILITY IS ASSUMED FOR USE OF SUPERCEDED OR VOIDED DATA. FOR THE MOST CURRENT AND ACCURATE INFORMATION REGARDING THE COMPLETE LINE OF **JUST SINKS, FAUCETS AND DRAINS**, CLICK ON THE **SPEC LINE DRAWINGS** LINK ON OUR WEB SITE AT [www.justsinks.com](http://www.justsinks.com)



Job Name \_\_\_\_\_

Customer \_\_\_\_\_

Architect/Engineer \_\_\_\_\_

APPROVED FOR MANUFACTURING

MODEL NO. \_\_\_\_\_ QTY. \_\_\_\_\_

COMPANY \_\_\_\_\_

TITLE \_\_\_\_\_ DATE \_\_\_\_\_

SIGNATURE \_\_\_\_\_

52004