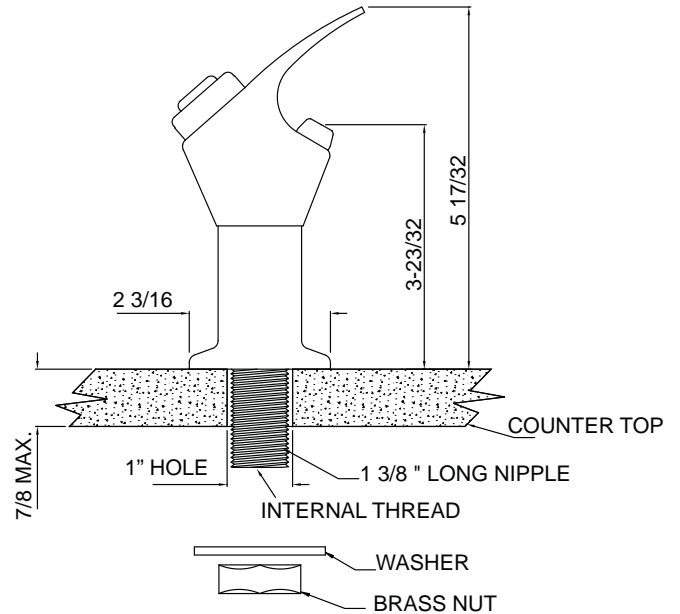




**JCB-4SS**  
**FAUCET GROUP**  
 STAINLESS STEEL BUBBLER

**SUBMITTAL DATA**



**TECHNICAL DATA**

**CONSTRUCTION:**

- Self closing, push button controlled
- Features totally lead-free construction
- Cast 304 stainless steel body and push button activator
- Stainless steel nipple
- Stainless steel replaceable regulator cartridge
- Adjustable flow regulator
- Conforms with ANSI standard 112.18.1
- NSF Certified to:
  - \* NSF/ANSI 61/9- Annex G
  - \* AB1953 Compliant

**FLOW RATE**

Variable

**VARIANTS**

None

**FINISH**

Highly buffed/mirror

APPROVED FOR MANUFACTURING	
MODEL NO.:	QTY:
JOB NAME: _____	
TAG/ITEM: _____	
CUSTOMER: _____	
SIGNATURE: _____	

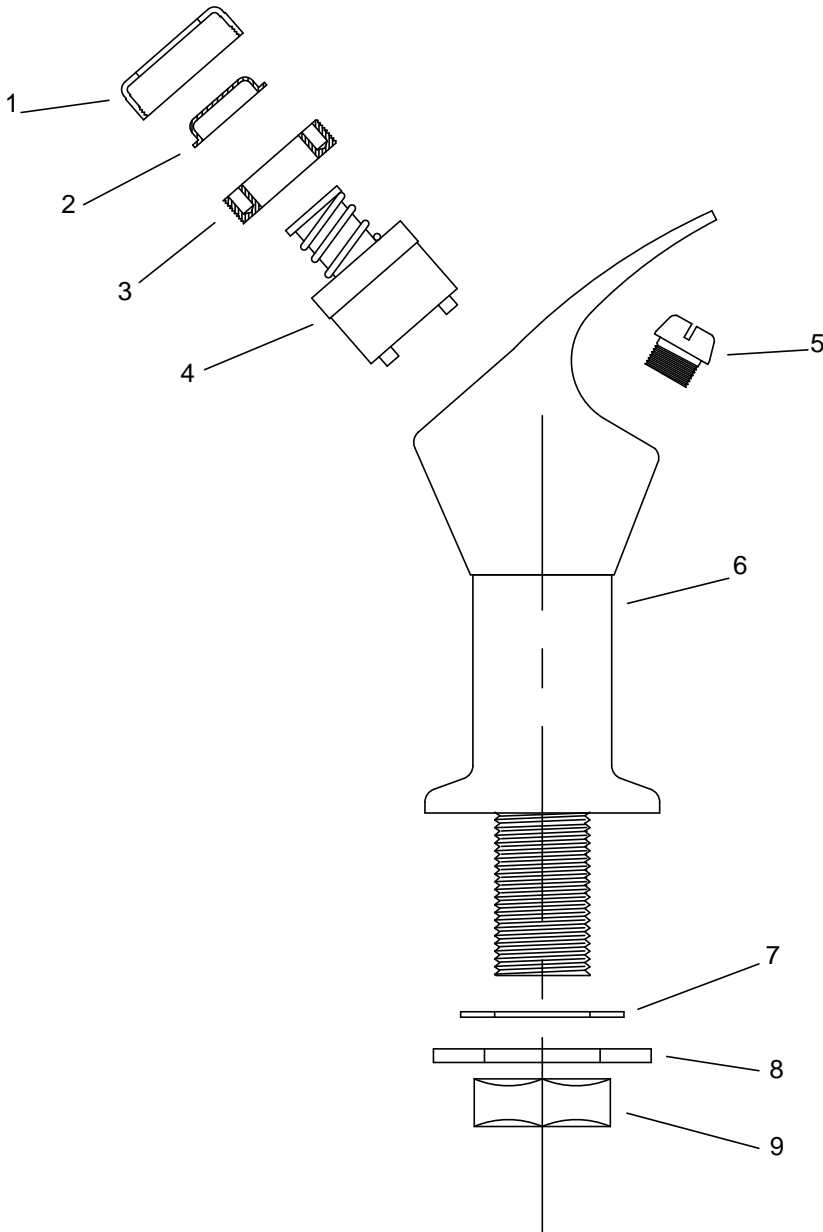
JUST MFG. COMPANY CONTINUES TO MAKE QUALITY AND FUNCTIONALITY A MARK OF THE JUST PRODUCT LINE. TO DO SO REQUIRES THAT WE RESERVE THE RIGHT TO CHANGE PRODUCT INFORMATION WITHOUT NOTICE. DIMENSIONS MAY VARY AND ARE SUBJECT TO CHANGE WITHOUT NOTICE. NO RESPONSIBILITY IS ASSUMED FOR USE OF SUPERCEDED OR VOIDED DATA. FOR THE MOST CURRENT AND ACCURATE INFORMATION REGARDING THE COMPLETE LINE OF JUST SINKS, FAUCETS AND DRAINS, CLICK ON THE **SPEC LINE DRAWINGS** LINK ON OUR WEB SITE AT [www.justmfg.com](http://www.justmfg.com)

<b>JUST MANUFACTURING COMPANY</b>		9233 KING STREET . FRANKLIN PARK . ILLINOIS . 60131-2111
PH: 847-678-5150	FAX: 847-678-6817	E-MAIL: <a href="mailto:custserv@justmfg.com">custserv@justmfg.com</a> . <a href="http://www.justmfg.com">www.justmfg.com</a>



**JCB-4SS**  
**FAUCET GROUP**  
 STAINLESS STEEL BUBBLER

**PARTS DATA**



Item- No.	Part No	Description
1	JC-431	Bonnet nut
2	JC-432	Push button
3	JC-435	Retainer ring
4	JC-150	Cartridge
5	JC-409	Orifice assembly
6	JC-401	Bubler body
7	JC-421	Rubber washer
8	JC-112	Washer
9	JC-111	Brass nut

JUST MANUFACTURING COMPANY

9233 KING STREET . FRANKLIN PARK . ILLINOIS . 60131-2111

PH: 847-678-5150 . FAX: 847-678-6817 . E-MAIL: custserv@justmfg.com . www.justmfg.com