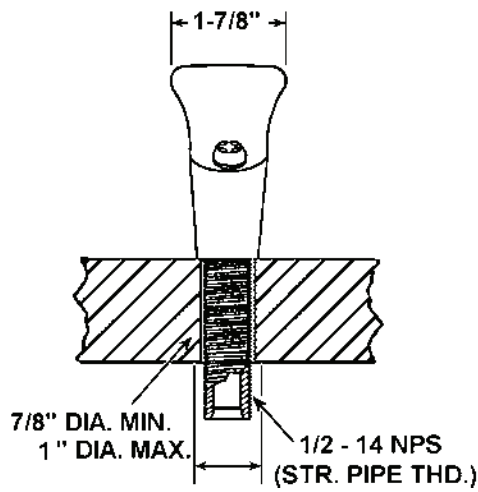
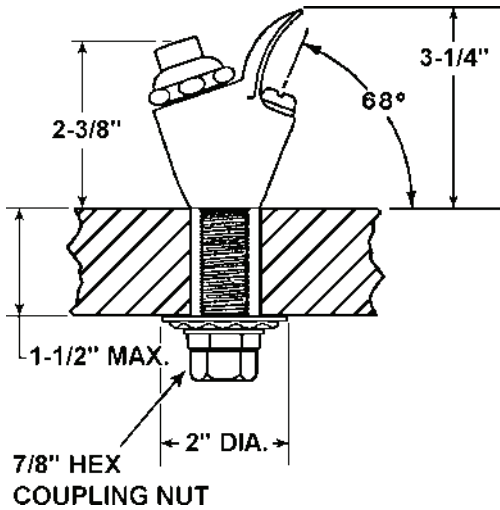




FAUCET GROUP



OPTIONS
NONE

Job Name _____	
Customer _____	
Architect/Engineer _____	
APPROVED FOR MANUFACTURING	
Model No. _____	Qty. _____
Company _____	
Title _____	Date _____
SIGNATURE _____	

REVISED- 2013

JCB-2

BUBBLER HEAD



TECHNICAL DATA
CONSTRUCTION:

- Self closing, push button controlled
- Solid cast brass body
- Pressure actuating diaphragm regulates water flow
- Brass mounting shank
- Replaceable regulator cartridge
- Regulator screw to adjust water flow

Certified by IAPMO R&T to:

- * NSF/ANSI 61- 2010a
- * NSF/ANSI 61- Annex G
- * Low Lead
- * ANSI A112.18.1 / CSA B125.1
- * UPC
- * IPC
- * ADA Compliant



FINISH

Polished chrome plate

FLOW RATE

N/A

A.D.A. COMPLIANT

Yes

VARIANTS

JCB-2-VR = Vandal resistant JCB-2

NOT RECOMMENDED FOR CLASSROOM SINK USE

JUST MFG. COMPANY CONTINUES TO MAKE QUALITY AND FUNCTIONALITY A MARK OF THE JUST PRODUCT LINE. TO DO SO REQUIRES THAT WE RESERVE THE RIGHT TO CHANGE PRODUCT INFORMATION WITHOUT NOTICE. DIMENSIONS MAY VARY AND ARE SUBJECT TO CHANGE WITHOUT NOTICE. NO RESPONSIBILITY IS ASSUMED FOR USE OF SUPERCEDED OR VOIDED DATA. FOR THE MOST CURRENT AND ACCURATE INFORMATION REGARDING THE COMPLETE LINE OF JUST SINKS, FAUCETS AND DRAINS, CLICK ON THE SPEC LINE DRAWINGS LINK ON OUR WEB SITE AT www.justmfg.com

JUST MANUFACTURING COMPANY	
9233 KING STREET . FRANKLIN PARK . ILLINOIS . 60131-2111	
PH: 847-678-5150 . FAX: 847-678-6817	
E-MAIL: custserv@justmfg.com . www.justmfg.com	

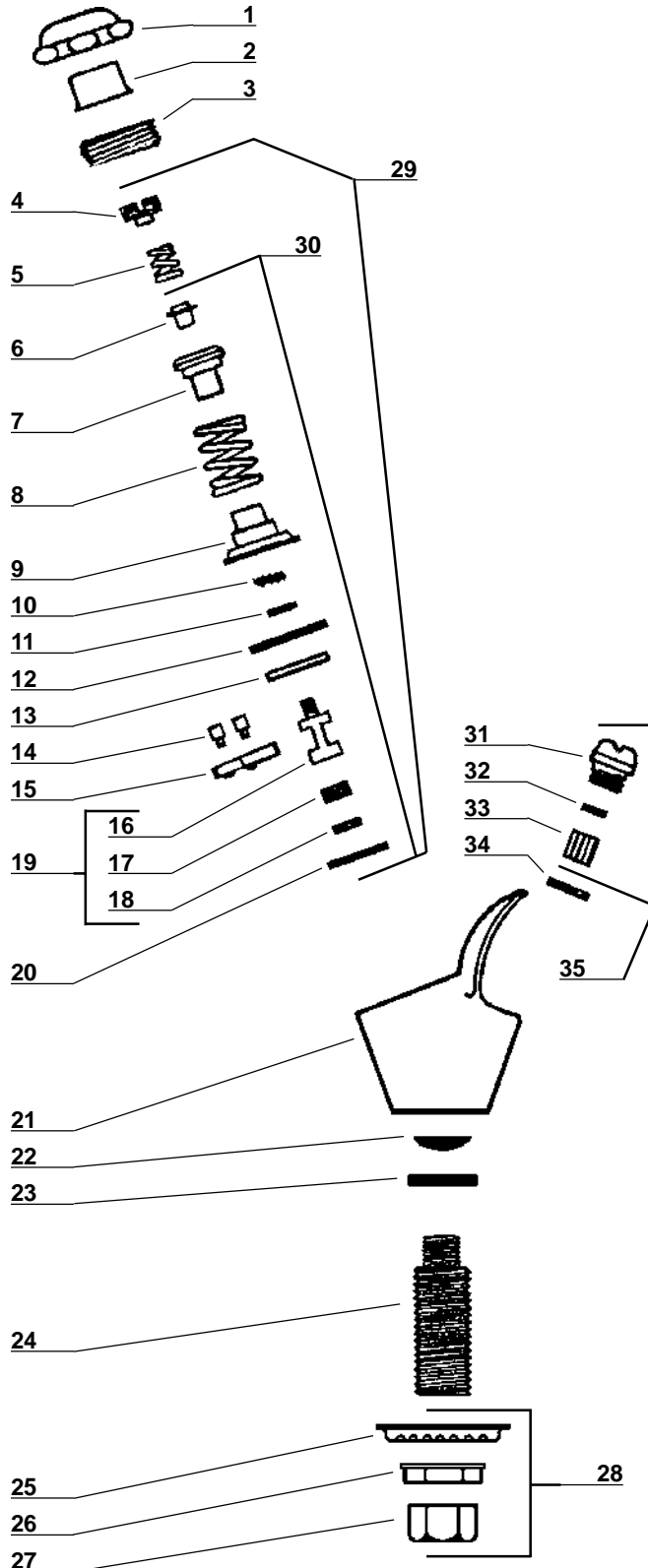
SUBMITTAL DATA

JCB-2



FAUCET GROUP

BUBBLER HEAD



Item No.	Part No.	Description
1	PF-358-RS	Cap Nut
2	PF-358-Q	Cap
3	358-BHC	Bushing Holder
4	358-P	Regulating Screw
5	358-O	Spring
6	358-NC	Locknut
7	358-M	Bushing
8	358-LS	Spring
9	358-KC	Bushing
10	358-JC	Lock Washer
11	1043-E	Brass Washer
12	358-GC	Diaphragm
13	358-WC	Brass Washer
14	358-LPC	Pins
15	358-AP	Seat Piece
16	358-DC	Seat Holder
17	358-EC	Seat Washer
18	358-F	Plug
19	SU-358-DC	Seat Assembly
20	358-APGC	Gasket
21	PF-6919	Body
22	358-V	Screen
23	940	Rubber Washer
24	PF-781-AJ	Shank
25	54	Washer
26	7133-AL	Locknut
27	4015-BAR	Coupling Nut
28	G-95-A	Nut & Washer Set
29	SU-358-BCK	Actuation Assembly
30	SU-358-BC	Assembly less regulator
31	PF-358-SA	Jet
32	358-VA	Screen
33	PF-358-TA	Stream Former
34	358-U	Fiber Gasket
35	SU-358-SA	Jet Assembly

JUST MFG. COMPANY CONTINUES TO MAKE QUALITY AND FUNCTIONALITY A MARK OF THE JUST PRODUCT LINE. TO DO SO REQUIRES THAT WE RESERVE THE RIGHT TO CHANGE PRODUCT INFORMATION WITHOUT NOTICE. DIMENSIONS MAY VARY AND ARE SUBJECT TO CHANGE WITHOUT NOTICE. NO RESPONSIBILITY IS ASSUMED FOR USE OF SUPERCEDED OR VOIDED DATA. FOR THE MOST CURRENT AND ACCURATE INFORMATION REGARDING THE COMPLETE LINE OF JUST SINKS, FAUCETS AND DRAINS, CLICK ON THE **SPEC LINE DRAWINGS** LINK ON OUR WEB SITE AT www.justmfg.com

JUST MANUFACTURING COMPANY

9233 KING STREET . FRANKLIN PARK . ILLINOIS . 60131-2111

PH: 847-678-5150 . FAX: 847-678-6817

E-MAIL: custserv@justmfg.com . www.justmfg.com