

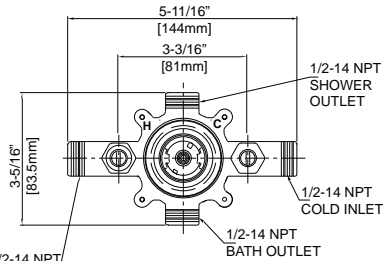
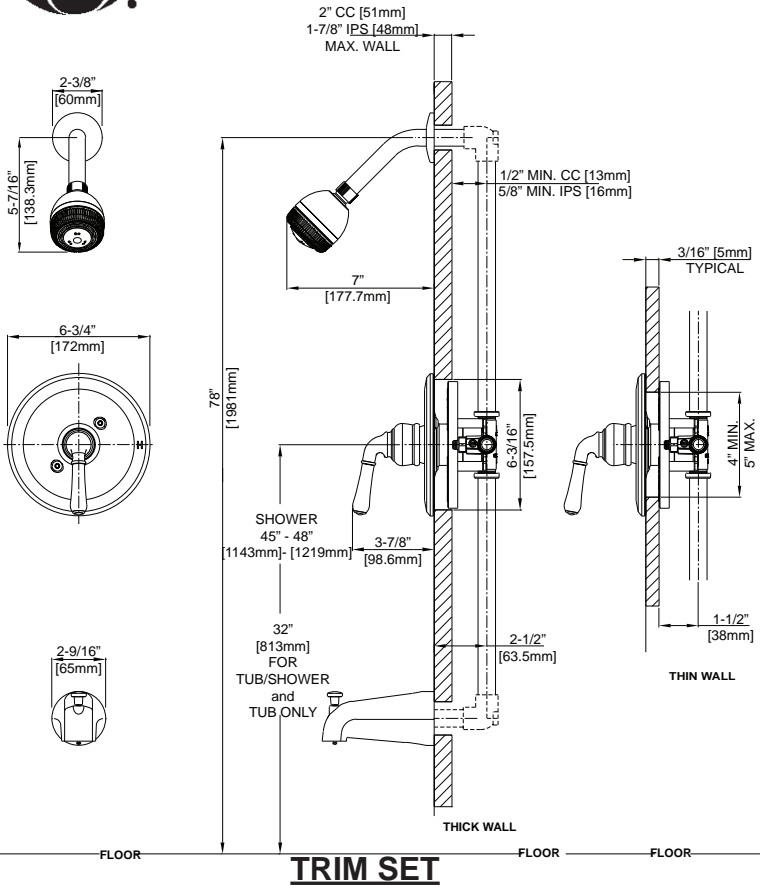


# JBSV-2340

## SHOWER GROUP SINGLE HANDLE

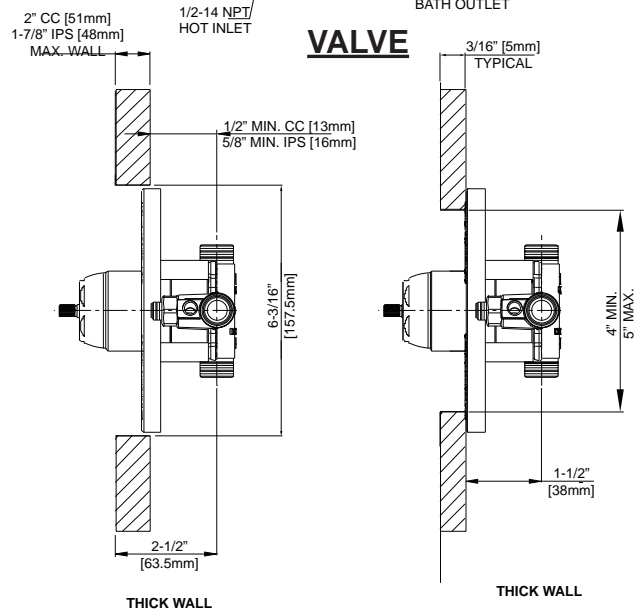
### TUB and SHOWER TRIM SET with VALVE

SUBMITTAL DATA



### SPECIFICATION

- Metal lever handle.
- Face plate.
- Adjustable, three-function showerhead with arm and flange.
- Ceramic disc cartridge with temperature limit stop.
- Brass inlet stops.
- Pressure balance spool included.
- Combo CXC and IPS Inlet and Outlet connections.
- Chrome finish.
- 1/2" IPS- Combo slip-on diverter tub spout.
- Showerhead limited - 1.75 GPM limit.



APPROVED FOR MANUFACTURING

MODEL NO.: **JBSV-2340** QTY: \_\_\_\_\_

JOB NAME: \_\_\_\_\_

TAG/ITEM: \_\_\_\_\_

CUSTOMER: \_\_\_\_\_

SIGNATURE: \_\_\_\_\_

JUST MFG. COMPANY CONTINUES TO MAKE QUALITY AND FUNCTIONALITY A MARK OF THE JUST PRODUCT LINE. WE RESERVE THE RIGHT TO CHANGE PRODUCT INFORMATION WITHOUT NOTICE. DIMENSIONS MAY CHANGE AND MAY BE SUBJECT TO CHANGE WITHOUT NOTICE. NO RESPONSIBILITY IS ASSUMED FOR USE OF SUPERCEDED OR VOIDED DATA. JUST MFG. CO. SINKS ARE MADE IN THE U.S.A. WHEN COMPARING OTHER BRAND PRODUCTS, BE SURE TO COMPARE USA QUALITY ALONG WITH FEATURES AND DIMENSIONS.

JUST MANUFACTURING COMPANY

9233 KING STREET . FRANKLIN PARK . ILLINOIS . 60131-2111

PH: 847-678-5150 . FAX: 847-678-6817 . E-MAIL: [custserv@justmfg.com](mailto:custserv@justmfg.com) . [www.justmfg.com](http://www.justmfg.com)