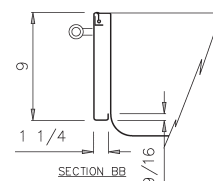
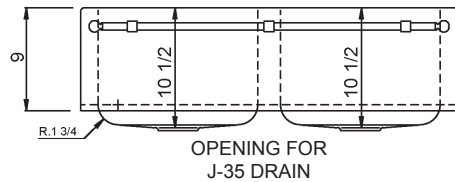
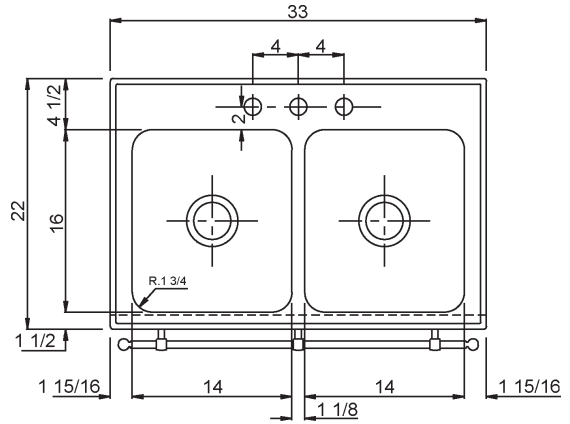
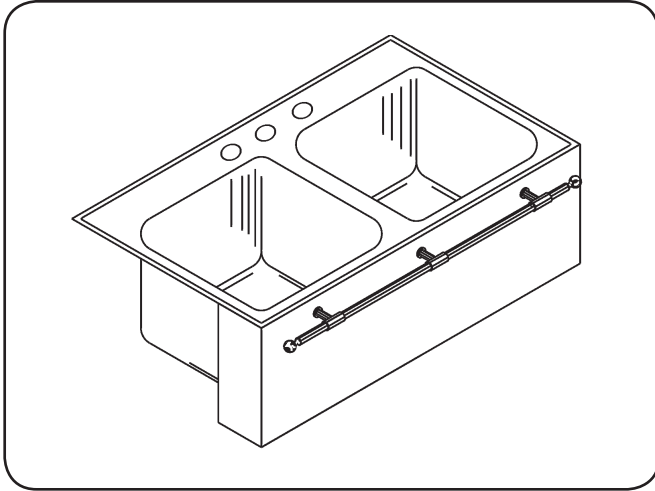




# JBDL-2233-A-TB-TC-TS

## DESIGNER SERIES CLEARFIELD I APRON SINK with TOWEL BAR SELF-RIMMING



### SPECIFICATION

Construction of 18 gauge type 304 stainless steel single draw bowl construction. Apron of 16 gauge type 304 stainless steel. Top deck, interior surfaces and apron polished to a non-porous Hand-Blended Just Finish, with a highlighted bowl rim. Straight-sided compartment with large radius corners. Fully coated underside insulates for sound, and reduces condensation. Self-rimming top mount with mounting channels and clips. Drain punch #35 for Just J-35 drain unless otherwise specified.

Polished chrome plated towel bar. Brass plated knobs and bar supports ("TB"); chrome plated knobs and bar supports ("TC"); brushed stainless steel towel bar, supports and knobs ("TS").

**19.80** **Capacity Matters**  
Gallon Capacity  
Max ID sizing with straight sided bowl configuration (non tapered sides). Tight corner radius design.

**To Be Specified:**

■ **Faucet Hole Punching:**

<input type="checkbox"/> (1) Hole Centered	
<input type="checkbox"/> (2) Holes on 4" centers	
<input type="checkbox"/> (3) Holes on 4 "centers(illustrated)	
<input type="checkbox"/> Alternate Punching: Faucet Model: _____	Punching required: _____

**KNOB FINISH MUST BE SPECIFIED:**

<input type="checkbox"/> BRASS	<input type="checkbox"/> CHROME	<input type="checkbox"/> STAINLESS
--------------------------------	---------------------------------	------------------------------------

APPROVED FOR MANUFACTURING

MODEL NO.: JBDL-2233-A-TB /TC /TS QTY: \_\_\_\_\_

JOB NAME: \_\_\_\_\_

TAG/ITEM: \_\_\_\_\_

CUSTOMER: \_\_\_\_\_

SIGNATURE: \_\_\_\_\_

JUST MFG. COMPANY CONTINUES TO MAKE QUALITY AND FUNCTIONALITY A MARK OF THE JUST PRODUCT LINE. TO DO SO REQUIRES THAT WE RESERVE THE RIGHT TO CHANGE PRODUCT INFORMATION WITHOUT NOTICE. DIMENSIONS MAY VARY AND ARE SUBJECT TO CHANGE WITHOUT NOTICE. NO RESPONSIBILITY IS ASSUMED FOR USE OF SUPERCEDED OR VOIDED DATA. FOR THE MOST CURRENT AND ACCURATE INFORMATION REGARDING THE COMPLETE LINE OF JUST SINKS, FAUCETS AND DRAINS, CLICK ON THE **SPEC LINE DRAWINGS** LINK ON OUR WEB SITE AT [www.justmfg.com](http://www.justmfg.com)