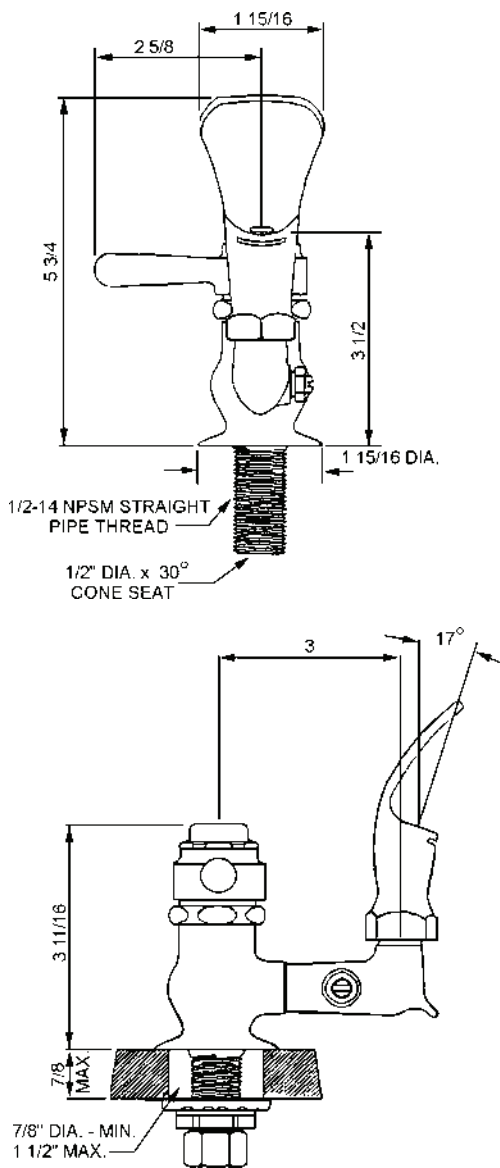




FAUCET GROUP



JBB-5

SINK BUBBLER

SUBMITTAL DATA



TECHNICAL DATA

CONSTRUCTION:

- Self closing, lever controlled
- Solid cast brass body
- Adjustable flow control
- Cast brass lever arm handle
- Brass mounting shank
- Renewable stem and bonnet unit
- Replaceable seat
- Conforms with ANSI standard 112.18.1
- Certified by IAPMO R&T to:
 - * NSF/ANSI 61/9- Annex G
 - * AB1953 Compliant

FINISH

Polished chrome plate

FLOW RATE

0.5 G.P.M. max

A.D.A. COMPLIANT

Yes

VARIANTS

None

OPTIONS

None

JUST MFG. COMPANY CONTINUES TO MAKE QUALITY AND FUNCTIONALITY A MARK OF THE JUST PRODUCT LINE. TO DO SO REQUIRES THAT WE RESERVE THE RIGHT TO CHANGE PRODUCT INFORMATION WITHOUT NOTICE. DIMENSIONS MAY VARY AND ARE SUBJECT TO CHANGE WITHOUT NOTICE. NO RESPONSIBILITY IS ASSUMED FOR USE OF SUPERCEDED OR VOIDED DATA. FOR THE MOST CURRENT AND ACCURATE INFORMATION REGARDING THE COMPLETE LINE OF JUST SINKS, FAUCETS AND DRAINS, CLICK ON THE *SPEC LINE DRAWINGS* LINK ON OUR WEB SITE AT www.justmfg.com

Job Name _____	
Customer _____	
Architect/Engineer _____	
APPROVED FOR MANUFACTURING	
MODEL NO. _____	QTY _____
COMPANY _____	
TITLE _____	DATE _____
SIGNATURE _____	

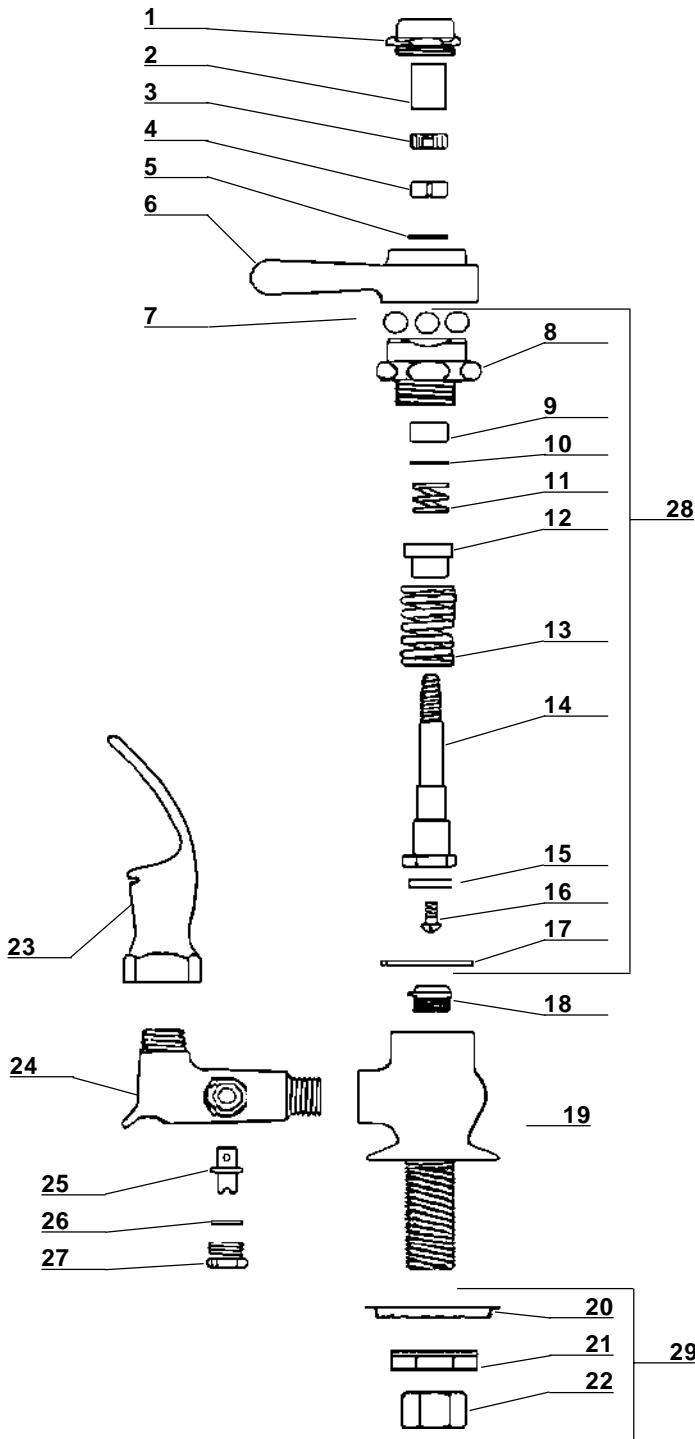
REVISED-2013

JUST MANUFACTURING COMPANY	
9233 KING STREET . FRANKLIN PARK . ILLINOIS . 60131-2111	
PH: 847-678-5150 . FAX: 847-678-6817	
E-MAIL: custserv@justmfg.com . www.justmfg.com	



FAUCET GROUP

SINK BUBBLER



Item No.	Part No.	Description
1	PF-7125	Cap
2	69-C	Sleeve
3	PF-67-AC	Samson Nut
4	68-HX	Nut
5	33-A	Washer
6	7114	Handle
7	71	Ball retainer
8	7106-F	Centerpiece
9	814-G	Packing
10	33-A	Brass Washer
11	70-D	Spring
12	70-F	Gland
13	1008-B	Spring
14	7101-AF	Stem
15	904	Washer
16	104	Screw
17	433-AN	Washer
18	59	Seat
19	- -	Body (not available separately)
20	54	Washer
21	7133-AL	Lock Nut
22	4015	Nut
23	- -	Guard (not available separately)
24	- -	Connector(not available separately)
25	PF-756-E	Stem
26	1090-HN	Gasket
27	PF-1090-J	Cap
28	SU-7106-F	Control Assembly
29	G-95-A	Mounting Kit

JUST MFG. COMPANY CONTINUES TO MAKE QUALITY AND FUNCTIONALITY A MARK OF THE JUST PRODUCT LINE. TO DO SO REQUIRES THAT WE RESERVE THE RIGHT TO CHANGE PRODUCT INFORMATION WITHOUT NOTICE. DIMENSIONS MAY VARY AND ARE SUBJECT TO CHANGE WITHOUT NOTICE. NO RESPONSIBILITY IS ASSUMED FOR USE OF SUPERCEDED OR VOIDED DATA. FOR THE MOST CURRENT AND ACCURATE INFORMATION REGARDING THE COMPLETE LINE OF JUST SINKS, FAUCETS AND DRAINS, CLICK ON THE SPEC LINE DRAWINGS LINK ON OUR WEB SITE AT www.justmfg.com

JUST MANUFACTURING COMPANY
 9233 KING STREET . FRANKLIN PARK, ILLINOIS . 60131-2111
 PH: 847-678-5150 . FAX: 847-678-6817
 E-MAIL: custserv@justmfg.com . www.justmfg.com