

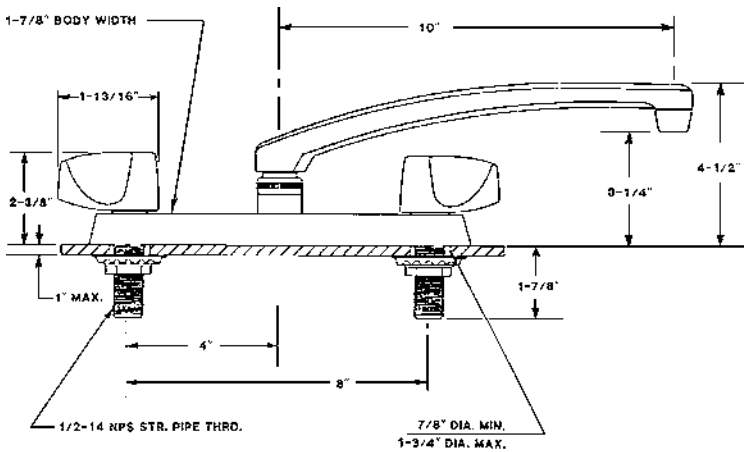


FAUCET GROUP

JB-710

TOPMOUNT FAUCET

SUBMITTAL DATA



TECHNICAL DATA CONSTRUCTION:

- Topmount on 8 inch centers
- Solid cast brass body
- Cast brass 10" swing spout
- Replaceable seats
- Brass quarter turn stem units
- Replaceable reinforced nitrile rubber packing
- Replaceable Buna-N seat washers
- Chrome plated die cast teardrop handles
- Equipped with water saving aerator
- Certified by IAPMO R&T to:

- * NSF/ANSI 61- 2010a
- * UPC
- * NSF/ANSI 61- Annex G
- * IPC
- * Low Lead
- * ADA Compliant
- * ANSI A112.18.1 / CSA B125.1



OPTIONS HANDLES

- 4" Wrist Blades "W4"
- 6" Wrist Blades "W6"
- Canopy Type "C" (not ADA)
- Acrylic "P" (not ADA)

AERATOR

- Duo Stream Swivel "B"

VANDAL RESISTANT

- Aerator "VR-A"
- Handles "VR-H"

FINISH

Polished chrome plate

FLOW RATE

2.2 GPM flow restricting aerator

A.D.A. COMPLIANT

Yes

VARIANTS

JB-700-S = JB-710 with spray

JUST MFG. COMPANY CONTINUES TO MAKE QUALITY AND FUNCTIONALITY A MARK OF THE JUST PRODUCT LINE. TO DO SO REQUIRES THAT WE RESERVE THE RIGHT TO CHANGE PRODUCT INFORMATION WITHOUT NOTICE. DIMENSIONS MAY VARY AND ARE SUBJECT TO CHANGE WITHOUT NOTICE. NO RESPONSIBILITY IS ASSUMED FOR USE OF SUPERCEDED OR VOIDED DATA. FOR THE MOST CURRENT AND ACCURATE INFORMATION REGARDING THE COMPLETE LINE OF JUST SINKS, FAUCETS AND DRAINS, CLICK ON THE SPEC LINE DRAWINGS LINK ON OUR WEB SITE AT www.justmfg.com

Job Name _____
Customer _____
Architect/Engineer _____
APPROVED FOR MANUFACTURING
MODEL NO. _____ QTY. _____
COMPANY _____
TITLE _____ DATE _____
SIGNATURE _____

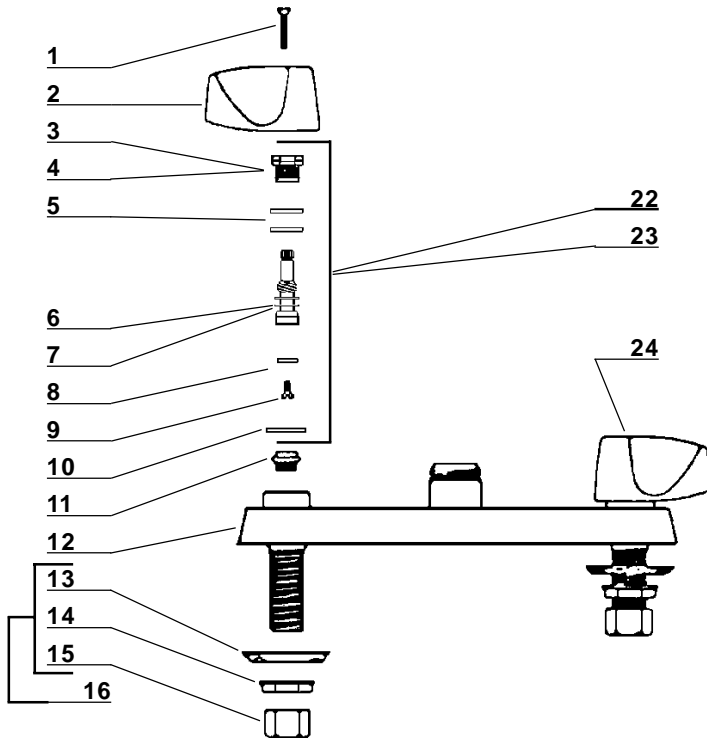
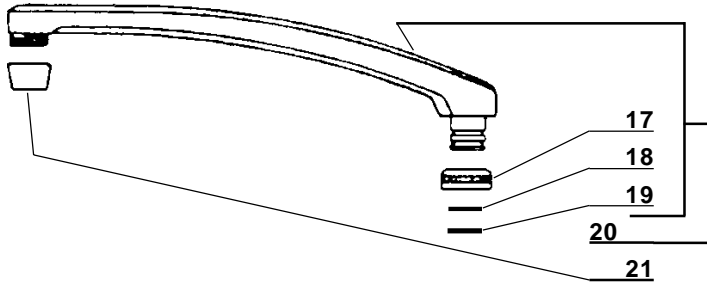
REVISED-2013

JUST MANUFACTURING COMPANY
9233 KING STREET . FRANKLIN PARK . ILLINOIS . 60131-2111
PH: 847-678-5150 . FAX: 847-678-6817
E-MAIL: custserv@justmfg.com . www.justmfg.com



FAUCET GROUP

TOPMOUNT FAUCET



Item No.	Part No.	Description
1	107 - H	Handle Screw
2	519 - L	Teardrop Handle - Left
3	454-EWC	Bonnet (Cold Side)
4	454-EWH	Bonnet (Hot Side)
5	1038-453	O-Ring
6	454-FL	Stem (Cold Side)
7	454-FR	Stem (Hot Side)
8	901-WN	Seat Washer
9	104	Seat Washer Screw
10	1028-Y	Gasket
11	263-BC	Replaceable Seat
12	BODY	Body
13	54	Steel Washer
14	7133-AL	Locknut
15	4015	Coupling Nut
16	G-913-A	Washer & Nut Assembly
17	PF-782-D	Spout Nut
18	166-F	Snap Ring
19	1038-K	O-Ring
20	SU-1974-A	10" Spout Assembly
21	30-M	Aerator
22	SU-454-EL	Stem Sub-Unit (Cold Side)
23	SU-454-ER	Stem Sub-Unit (Hot Side)
24	519-R	Teardrop Handle - Right

JUST MFG. COMPANY CONTINUES TO MAKE QUALITY AND FUNCTIONALITY A MARK OF THE JUST PRODUCT LINE. TO DO SO REQUIRES THAT WE RESERVE THE RIGHT TO CHANGE PRODUCT INFORMATION WITHOUT NOTICE. DIMENSIONS MAY VARY AND ARE SUBJECT TO CHANGE WITHOUT NOTICE. NO RESPONSIBILITY IS ASSUMED FOR USE OF SUPERCEDED OR VOIDED DATA. FOR THE MOST CURRENT AND ACCURATE INFORMATION REGARDING THE COMPLETE LINE OF JUST SINKS, FAUCETS AND DRAINS, CLICK ON THE **SPEC LINE DRAWINGS** LINK ON OUR WEB SITE AT www.justmfg.com

JUST MANUFACTURING COMPANY
 9233 KING STREET . FRANKLIN PARK . ILLINOIS . 60131-2111
 PH: 847-678-5150 . FAX: 847-678-6817
 E-MAIL: custserv@justmfg.com . www.justmfg.com