



**J-981**

**FAUCET GROUP**  
DECK MOUNT - LAVATORY FAUCET

**SUBMITTAL DATA**

**TECHNICAL DATA**  
**CONSTRUCTION:**

Single lever top mounted lavatory faucet  
Heavy brass body  
PVD Chrome plated  
RCeramic sealing discs with temperature-limiting device  
Equipped with water saving aerator  
AB1953 Compliant  
Meets ASME A112.18.1M  
NSF61/9 Certified  
IAPMO Listed



**FINISH**

Polished chrome

**FLOW RATE**

2.0 GPM max.

**A.D.A. COMPLIANT**

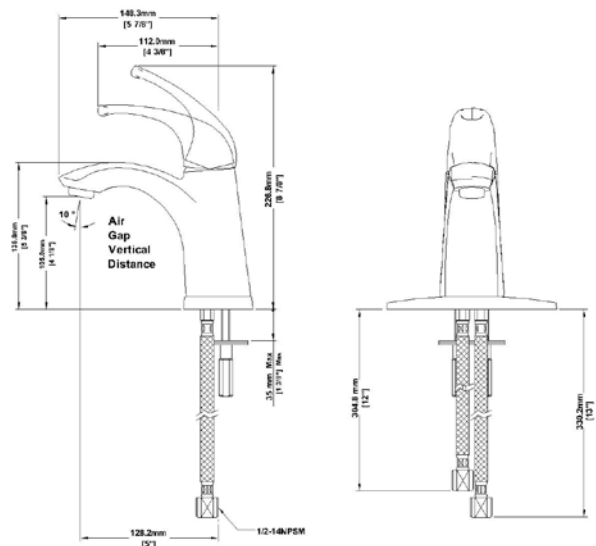
Yes

**VARIANTS**

None

**OPTIONS**

Aerator	
1.0 GPM	
0.5 GPM	



APPROVED FOR MANUFACTURING

MODEL NO.: **J-981** QTY: \_\_\_\_\_

JOB NAME: \_\_\_\_\_

TAG/ITEM: \_\_\_\_\_

CUSTOMER: \_\_\_\_\_

SIGNATURE: \_\_\_\_\_

JUST MFG. COMPANY CONTINUES TO MAKE QUALITY AND FUNCTIONALITY A MARK OF THE JUST PRODUCT LINE. TO DO SO REQUIRES THAT WE RESERVE THE RIGHT TO CHANGE PRODUCT INFORMATION WITHOUT NOTICE. DIMENSIONS MAY VARY AND ARE SUBJECT TO CHANGE WITHOUT NOTICE. NO RESPONSIBILITY IS ASSUMED FOR USE OF SUPERCEDED OR VOIDED DATA. FOR THE MOST CURRENT AND ACCURATE INFORMATION REGARDING THE COMPLETE LINE OF JUST SINKS, FAUCETS AND DRAINS, CLICK ON THE **SPEC LINE DRAWINGS** LINK ON OUR WEB SITE AT [www.justmfg.com](http://www.justmfg.com)

**JUST MANUFACTURING COMPANY**      9233 KING STREET . FRANKLIN PARK . ILLINOIS . 60131-2111

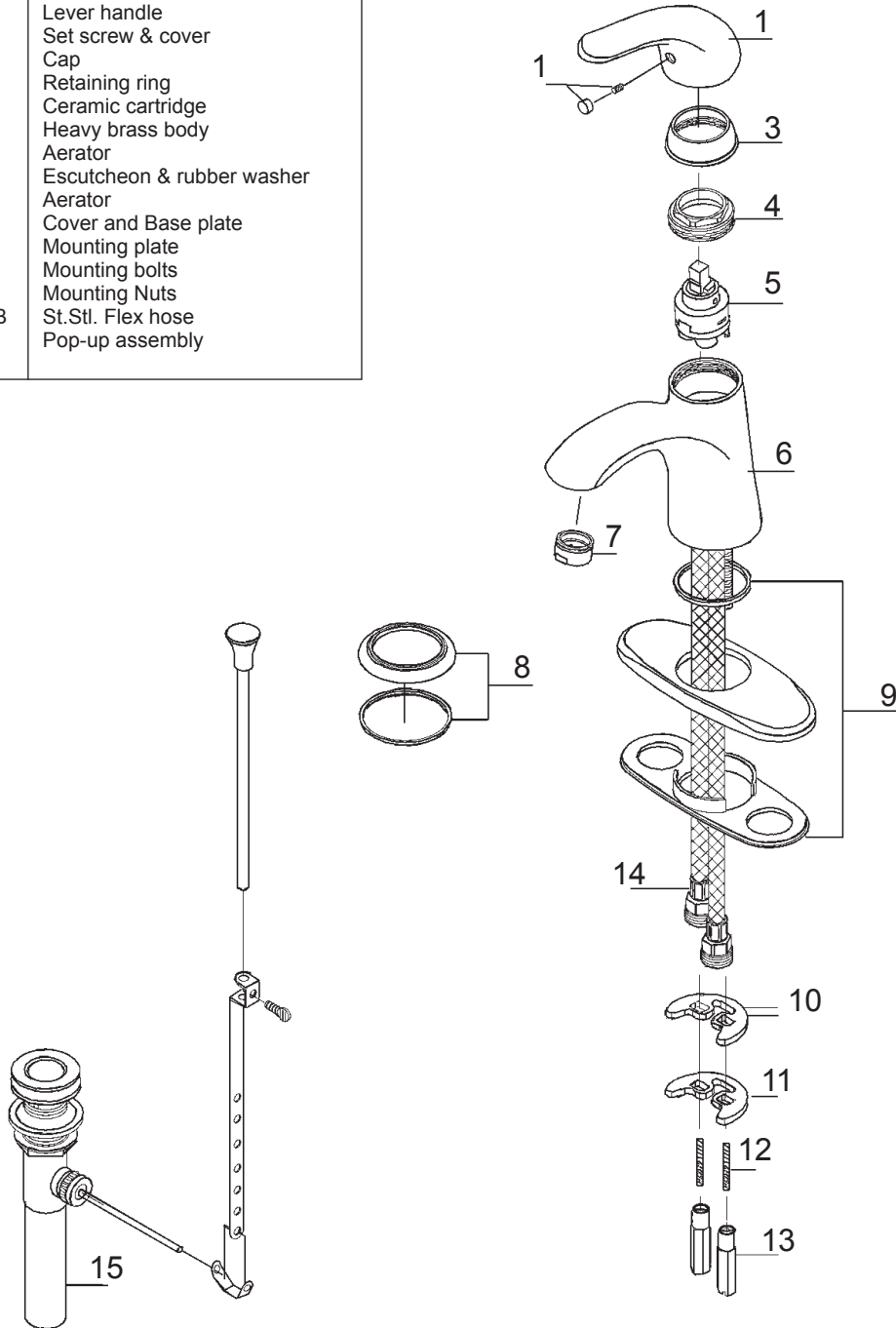
PH: 847-678-5150    .    FAX: 847-678-6817    .    E-MAIL: [custserv@justmfg.com](mailto:custserv@justmfg.com)    .    [www.justmfg.com](http://www.justmfg.com)

# J-981

## DECK MOUNT - LAVATORY FAUCET

PARTS DATA

Item No.	Part No.	Description
1	98-4334	Lever handle
2	98-2835	Set screw & cover
3	98-4309	Cap
4	98-8741	Retaining ring
5	98-4311	Ceramic cartridge
6	98-4340	Heavy brass body
7	98-2107	Aerator
8	98-4349	Escutcheon & rubber washer
9	98-4338	Aerator
10	98-5047	Cover and Base plate
11	98-4345	Mounting plate
12	98-4342	Mounting bolts
13	98-4344	Mounting Nuts
14	98-4376AB	St.Stl. Flex hose
15	98-4300	Pop-up assembly



JUST MANUFACTURING COMPANY

9233 KING STREET . FRANKLIN PARK . ILLINOIS . 60131-2111

PH: 847-678-5150 . FAX: 847-678-6817 . E-MAIL: [custserv@justmfg.com](mailto:custserv@justmfg.com) . [www.justmfg.com](http://www.justmfg.com)