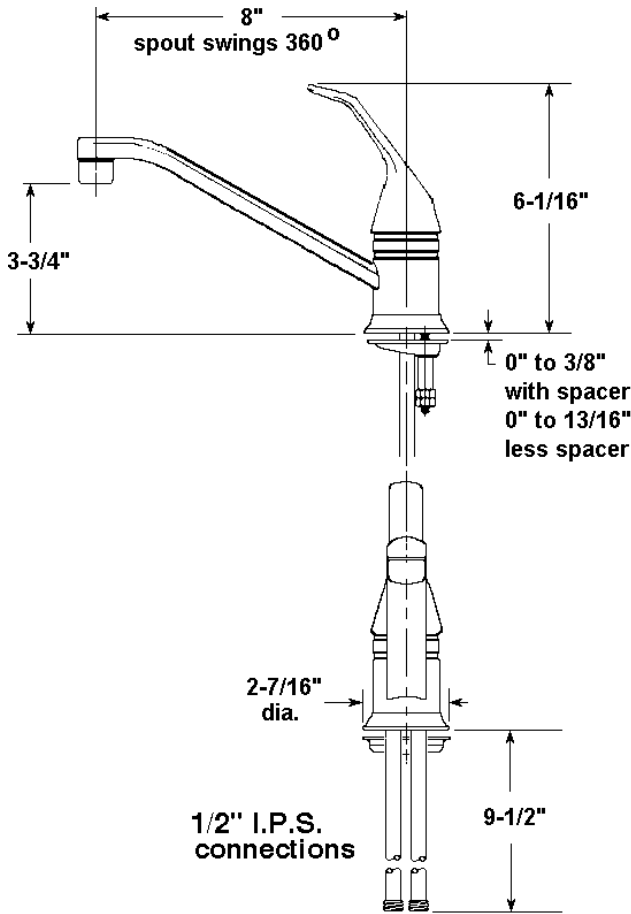




J-906

FAUCET GROUP
DECKMOUNT SINK FAUCET

SUBMITTAL DATA



Single lever top mounted kitchen sink faucet
8" brass swing spout
Brass body
Chrome plated die cast lever handle
Replaceable washerless valve cartridge
1/2" I.P.S. connections
Equipped with water saving aerator
Certified to NSF/ANSI 61

FINISH
Polished PVD chrome

FLOW RATE
2.0 GPM max.

A.D.A. COMPLIANT
Yes

VARIANTS
J-907 = J-906 w/ Spray

| OPTIONS | |
|-------------------------|---------|
| AERATORS / FLOW CONTROL | |
| 0.5 GPM | 2.2 GPM |
| 1.0 GPM | |
| VANDAL RESISTANT | |
| Aerator - VR-A | |

APPROVED FOR MANUFACTURING

MODEL NO.: **J-906** QTY: _____

JOB NAME: _____

TAG/ITEM: _____

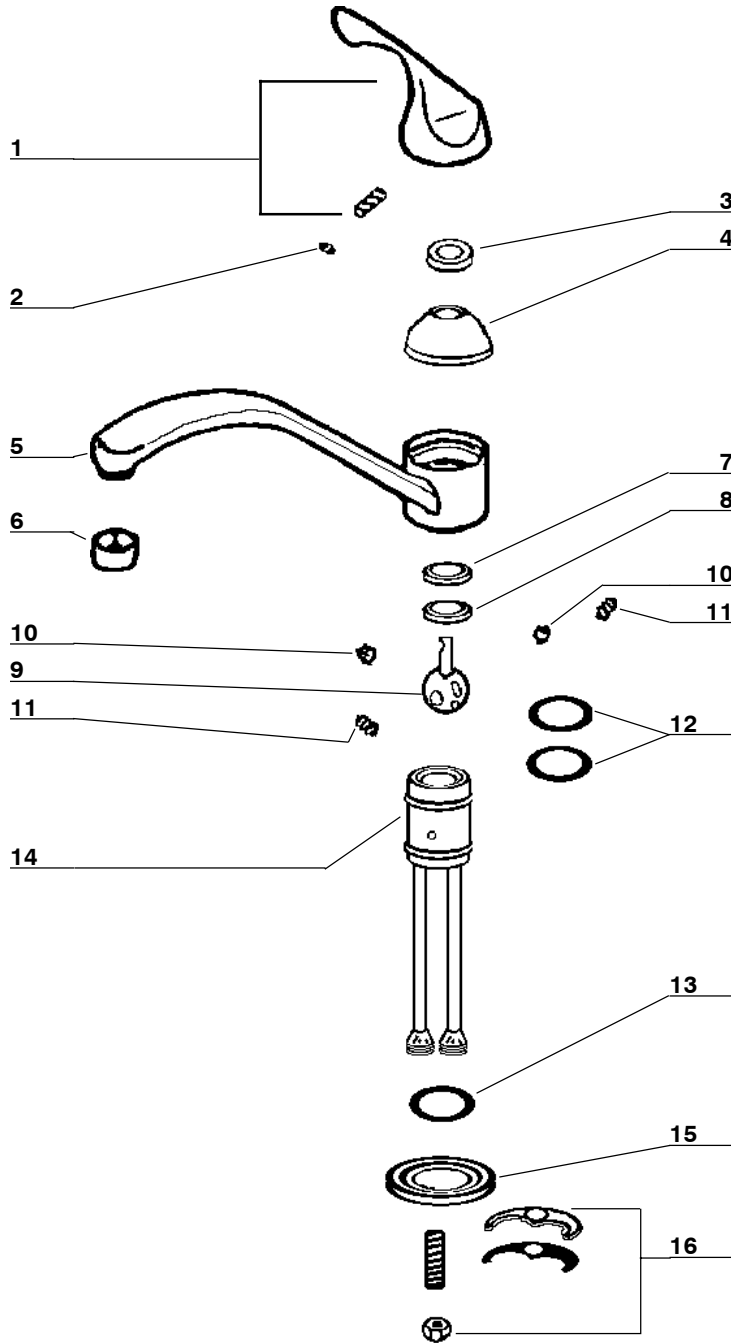
CUSTOMER: _____

SIGNATURE: _____

JUST MFG. COMPANY CONTINUES TO MAKE QUALITY AND FUNCTIONALITY A MARK OF THE JUST PRODUCT LINE. WE RESERVE THE RIGHT TO CHANGE PRODUCT INFORMATION WITHOUT NOTICE. DIMENSIONS MAY CHANGE AND MAY BE SUBJECT TO CHANGE WITHOUT NOTICE. NO RESPONSIBILITY IS ASSUMED FOR USE OF SUPERCEDED OR VOIDED DATA. JUST MFG. CO. SINKS ARE MADE IN THE U.S.A. WHEN COMPARING OTHER BRAND PRODUCTS, BE SURE TO COMPARE USA QUALITY ALONG WITH FEATURES AND DIMENSIONS.

J-906

PARTS DATA



FAUCET GROUP

DECKMOUNT SINK FAUCET



| Item No. | Part No. | Description |
|----------|-------------|--------------------------------|
| 1 | 15C-812-01 | Lever handle assembly - Chrome |
| 2 | 01822-02 | Hot/Cold Index |
| 3 | 01-812-03 | Bonnet ring |
| 4 | 15C-812-04 | Bonnet |
| 5 | O3C-812-05 | Spout |
| 6 | 01C-407-099 | Aerator assembly |
| 7 | 20-812-06 | Bonnet cap |
| 8 | 30-812-07 | Cartridge gasket |
| 9 | 10-812-08 | Cartridge |
| 10 | 30-425-16 | Port seal ring |
| 11 | 10-425-17 | Port spring |
| 12 | 30-812-16 | O-Ring |
| 13 | 20-812-17 | Poly gasket |
| 14 | - - | Core(not available) |
| 15 | 20-735-18 | Trim ring |
| 16 | - - | Mounting hardware |

JUST MFG. COMPANY CONTINUES TO MAKE QUALITY AND FUNCTIONALITY A MARK OF THE JUST PRODUCT LINE. TO DO SO REQUIRES THAT WE RESERVE THE RIGHT TO CHANGE PRODUCT INFORMATION WITHOUT NOTICE. DIMENSIONS MAY VARY AND ARE SUBJECT TO CHANGE WITHOUT NOTICE. NO RESPONSIBILITY IS ASSUMED FOR USE OF SUPERCEDED OR VOIDED DATA. FOR THE MOST CURRENT AND ACCURATE INFORMATION REGARDING THE COMPLETE LINE OF JUST SINKS, FAUCETS AND DRAINS, CLICK ON THE SPEC LINE DRAWINGS LINK ON OUR WEB SITE AT www.justmfg.com

JUST MANUFACTURING COMPANY
 9233 KING STREET . FRANKLIN PARK . ILLINOIS . 60131-2111
 PH: 847-678-5150 . FAX: 847-678-6817
 E-MAIL: custserv@justmfg.com .
www.justmfg.com