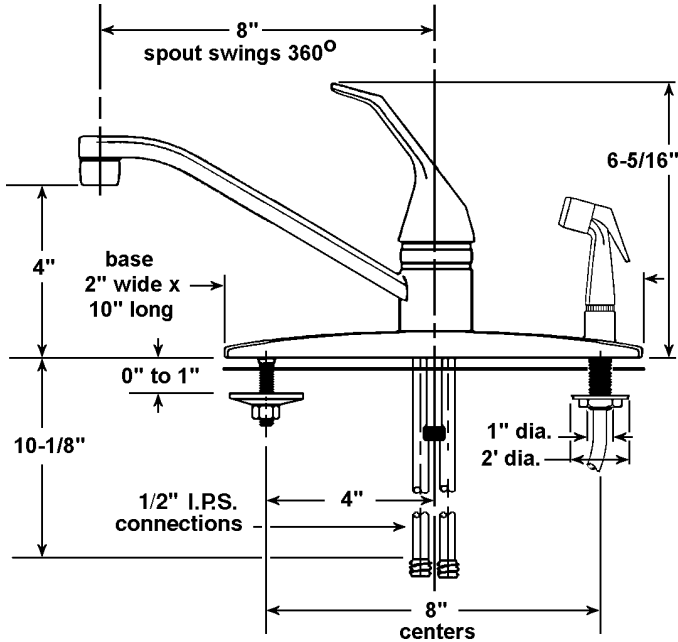




J-902

FAUCET GROUP
DECKMOUNT SINK FAUCET
with SPRAY

SUBMITTAL DATA



TECHNICAL DATA
CONSTRUCTION:

- Single lever deck mounted kitchen sink faucet
- Spray mounted on faucet base
- 8" brass swing spout
- Brass body
- Chrome plated die cast lever handle
- Replaceable washerless valve cartridge
- 1/2" I.P.S. copper connections
- Equipped with water saving aerator
- Conforms with ANSI standard 112.18.1
- Certified to NSF/ANSI 61

OPTIONS	
AERATORS / FLOW CONTROL	
0.5 GPM	2.2 GPM
1.0 GPM	
VANDAL RESISTANT	
Aerator - VR-A	

FINISH
Polished chrome

FLOW RATE
1.5 GPM

A.D.A. COMPLIANT
Yes

VARIANTS
None

JUST MFG. COMPANY CONTINUES TO MAKE QUALITY AND FUNCTIONALITY A MARK OF THE JUST PRODUCT LINE. WE RESERVE THE RIGHT TO CHANGE PRODUCT INFORMATION WITHOUT NOTICE. DIMENSIONS MAY CHANGE AND MAY BE SUBJECT TO CHANGE WITHOUT NOTICE. NO RESPONSIBILITY IS ASSUMED FOR USE OF SUPERCEDED OR VOIDED DATA. JUST MFG. CO. SINKS ARE MADE IN THE U.S.A. WHEN COMPARING OTHER BRAND PRODUCTS, BE SURE TO COMPARE USA QUALITY ALONG WITH FEATURES AND DIMENSIONS.

APPROVED FOR MANUFACTURING

MODEL NO.: **J-902** QTY: _____

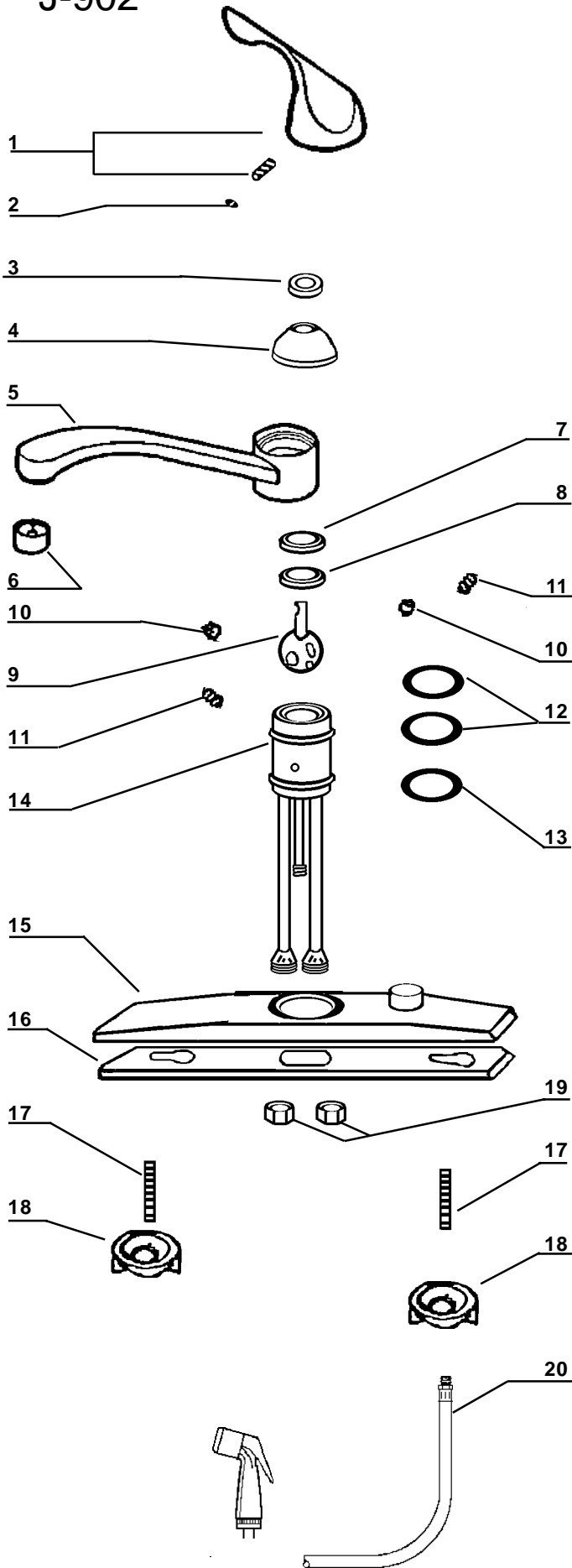
JOB NAME: _____

TAG/ITEM: _____

CUSTOMER: _____

SIGNATURE: _____

J-902



Just FAUCET GROUP

DECKMOUNT SINK FAUCET



Item No.	Part No.	Description
1	15C-812-01	Lever handle assembly - Chrome
2	10-822-02	Hot/Cold Index
3	01-812-03	Bonnet Ring
4	15C-812-04	Bonnet
5	O3C-812-05	Spout
6	OP-490035-1.5	1.5 GPM aerator assembly
7	20-812-06	Bonnet Cap
8	30-812-07	Cartridge gasket
9	10-812-08	Cartridge
10	30-425-16	Port seal ring
11	10-425-17	Port spring
12	30-812-16	O-Ring
13	20-812-17	Poly gasket
14	- -	Core(not available)
15	20-735-16	Deck cover
16	20-735-17	Deck base
17	- -	Core screws (not available)
18	20-812-13	Mounting hardware parts bag (2 sets per bag)
19	01-408-26B	Nuts (2 required)
20	LT7714	Spray and hose assembly

JUST MFG. COMPANY CONTINUES TO MAKE QUALITY AND FUNCTIONALITY A MARK OF THE JUST PRODUCT LINE. TO DO SO REQUIRES THAT WE RESERVE THE RIGHT TO CHANGE PRODUCT INFORMATION WITHOUT NOTICE. DIMENSIONS MAY VARY AND ARE SUBJECT TO CHANGE WITHOUT NOTICE. NO RESPONSIBILITY IS ASSUMED FOR USE OF SUPERCEDED OR VOIDED DATA. FOR THE MOST CURRENT AND ACCURATE INFORMATION REGARDING THE COMPLETE LINE OF JUST SINKS, FAUCETS AND DRAINS, CLICK ON THE SPEC LINE DRAWINGS LINK ON OUR WEB SITE AT www.just.mfg