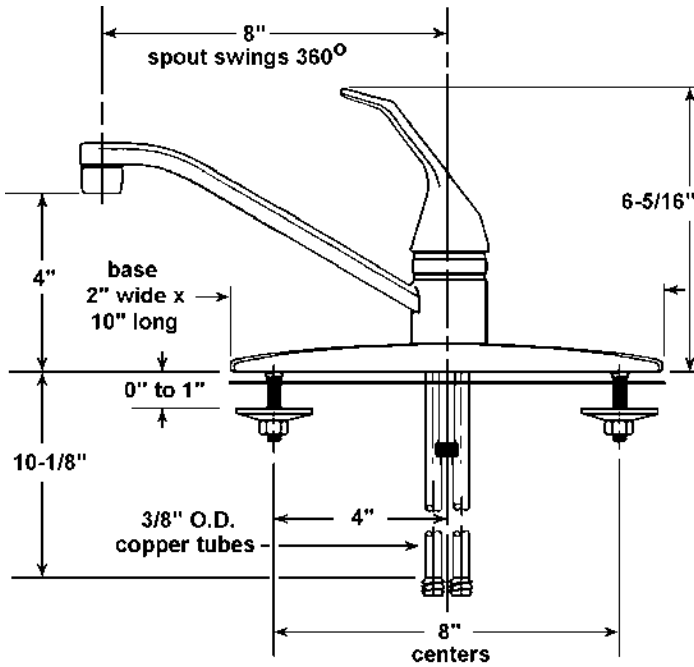




J-900

FAUCET GROUP
DECKMOUNT SINK FAUCET

SUBMITTAL DATA



TECHNICAL DATA
CONSTRUCTION:

- Single lever deck mounted kitchen sink faucet
- 8" brass swing spout
- Brass body
- Chrome plated die cast lever handle
- Replaceable washerless valve cartridge
- 1/2" I.P.S. connections
- Equipped with water saving aerator
- Certified by IAPMO R&T to:
 - NSF/ANSI 61-Annex G
 - Lead-Plumbing Law

OPTIONS	
AERATORS / FLOW CONTROL	
0.5 GPM	2.2 GPM
1.0 GPM	
VANDAL RESISTANT	
Aerator - VR-A	

FINISH

Polished chrome

FLOW RATE

1.5 GPM

A.D.A. COMPLIANT

Yes

VARIANTS

J-901 = J-900 w/ Spray

APPROVED FOR MANUFACTURING

MODEL NO.: **J-900** QTY: _____

JOB NAME: _____

TAG/ITEM: _____

CUSTOMER: _____

SIGNATURE: _____

JUST MFG. COMPANY CONTINUES TO MAKE QUALITY AND FUNCTIONALITY A MARK OF THE JUST PRODUCT LINE. WE RESERVE THE RIGHT TO CHANGE PRODUCT INFORMATION WITHOUT NOTICE. DIMENSIONS MAY CHANGE AND MAY BE SUBJECT TO CHANGE WITHOUT NOTICE. NO RESPONSIBILITY IS ASSUMED FOR USE OF SUPERCEDED OR VOIDED DATA. JUST MFG. CO. SINKS ARE MADE IN THE U.S.A. WHEN COMPARING OTHER BRAND PRODUCTS, BE SURE TO COMPARE USA QUALITY ALONG WITH FEATURES AND DIMENSIONS.

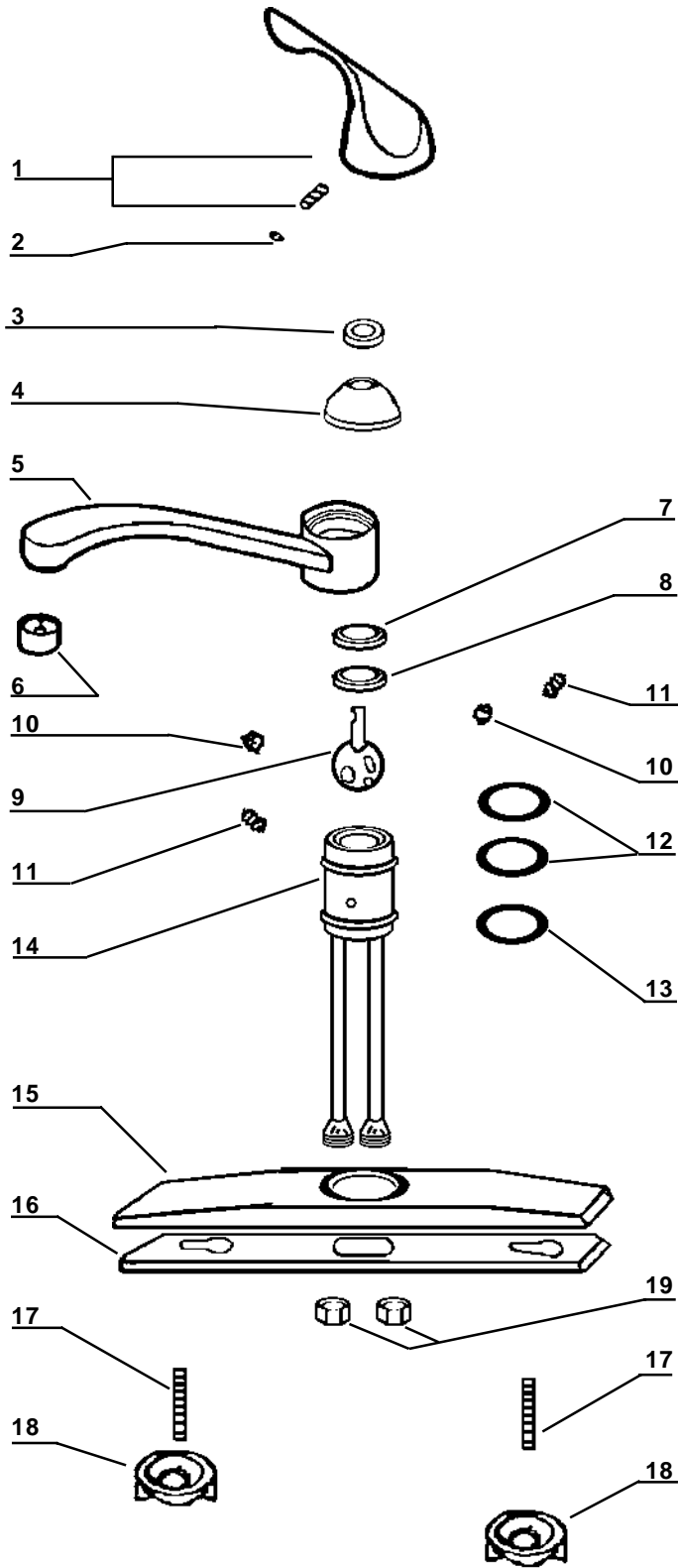
JUST MANUFACTURING COMPANY

9233 KING STREET FRANKLIN PARK ILLINOIS 60131-2111

PH: 847-678-5150 . FAX: 847-678-6817 . E-MAIL: custserv@justmfg.com . www.justmfg.com

J-900

PARTS DATA



FAUCET GROUP

DECKMOUNT SINK FAUCET



Item No.	Part No.	Description
1	15C-812-01	Lever handle assembly - Chrome
2	10-822-02	Hot/Cold Index
3	01-812-03	Bonnet Ring
4	15C-812-04	Bonnet
5	O3C-812-05	Spout
6	01C-407-099	Aerator assembly
7	20-812-06	Bonnet Cap
8	30-812-07	Cartridge gasket
9	10-812-08	Cartridge
10	30-425-16	Port seal ring
11	10-425-17	Port spring
12	30-812-16	O-Ring
13	20-812-17	Poly gasket
14	- -	Core(not available)
15	20-735-16	Deck cover
16	20-735-17	Deck base
17	- -	Core screws (not available)
18	20-812-13	Mounting hardware parts bag (2 sets per bag)
19	01-408-26B	Nuts (2 required)

Rev.-5/2004

JUST MFG. COMPANY CONTINUES TO MAKE QUALITY AND FUNCTIONALITY A MARK OF THE JUST PRODUCT LINE. TO DO SO REQUIRES THAT WE RESERVE THE RIGHT TO CHANGE PRODUCT INFORMATION WITHOUT NOTICE. FOR THE MOST CURRENT AND ACCURATE INFORMATION REGARDING THE COMPLETE LINE OF JUST SINKS, FAUCETS AND DRAINS, CLICK ON THE **SPEC LINE DRAWINGS** LINK ON OUR WEB SITE AT www.justmfg.com

JUST MANUFACTURING COMPANY
 9233 KING STREET • FRANKLIN PARK • ILLINOIS • 60131-2111
 PH: 847-678-5150 • FAX: 847-678-6817
 E-MAIL: custserv@justmfg.com • www.justmfg.com