

J-ADA-4820-S

INSTITUTIONAL GROUP ADA COMPLIANT - WASH-UP SINK SURGEON'S WASH-UP SINK

SUBMITTAL DATA



SPECIFICATION

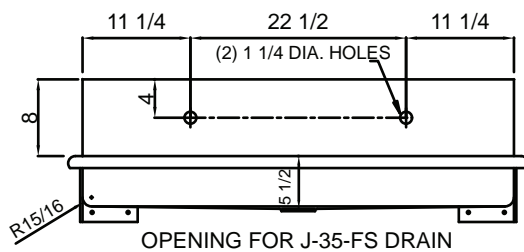
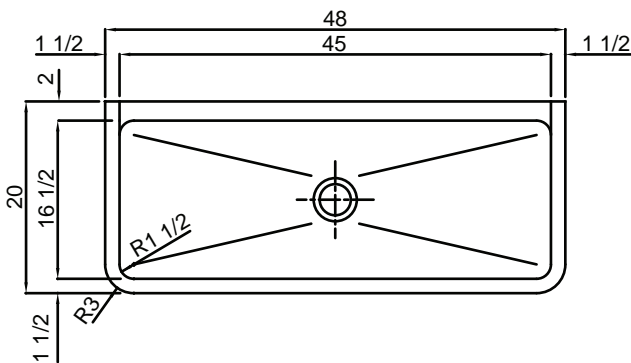
ADA COMPLIANT - Seamless welded construction of 14 ga. type 304 stainless steel. 1-1/2" roll rim on front and sides. Interior surfaces polished with a Hand-Blended Just Finish. Exposed exterior surfaces to have a brush standard finish. Supported by two 14 gauge, type 304 stainless steel wall brackets and 14 gauge stainless steel wall clips. Drain punched for Just J-35-FS drain. Certified to ASME/CSA B45.4; UPC; IPC.



Sink certified to ASMA A112.19.3/CSA B45.4; Uniform Plumbing Code (UPC); International Plumbing Code (IPC), by NSF International. Certified less fittings.



Sink certified compliant with 2010 ADA Standards for Accessible Design and ICC/ANSI A117.1 by NSF International.



INCLUDES:

- (2) JSL-46 sensor operated, backsplash mounted faucet with gooseneck spout and laminar flow control. Specify AC or battery power. Faucet Low Lead certified to NSF Std. 372.
- (1) JTM-47 thermostatic mixing valve with 1/2" sweat connection. Low Lead certified to NSF Std. 372.
- (1) J-35-SSF stainless steel flat grid strainer.
- (1) JT-150 cast brass P-trap.

FAUCET - Must be specified	
JSL-46-AC - w/plug-in power adapter	
JSL-46-B - w/battery holder	

OPTIONAL
Rose Spray
(check if required)

APPROVED FOR MANUFACTURING

MODEL NO.: **J-ADA-4820-S** QTY: _____

JOB NAME: _____

TAG/ITEM: _____

CUSTOMER: _____

SIGNATURE: _____

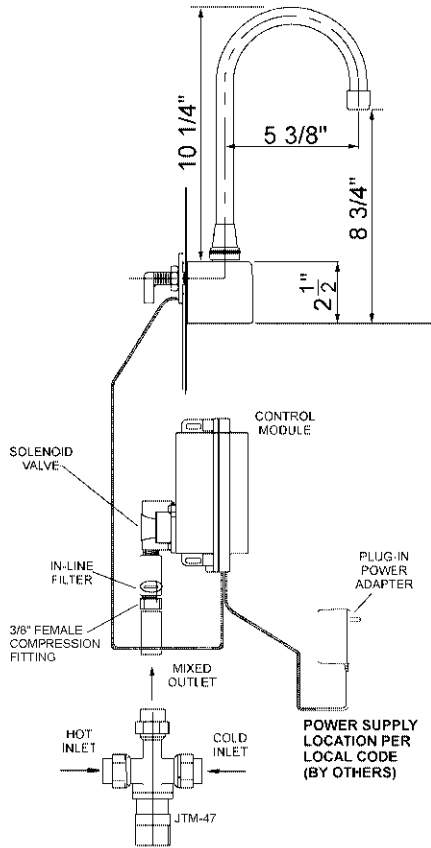


JUST MANUFACTURING COMPANY 9233 KING STREET . FRANKLIN PARK . ILLINOIS . 60131-2111
 PH: 847-678-5150 . FAX: 847-678-6817 . E-MAIL: custserv@justmfg.com . www.justmfg.com



INSTITUTIONAL GROUP

SUBMITTAL DATA



J-4820-S-ADA

JS-46-AC - Sensor Operated Faucet with Control Module

Sensor-operated backsplash mounted gooseneck faucet. Chrome plated solid brass construction faucet body. Chrome plated spout 12-3/4" high from bottom of base (8-3/4" from base to aerator) with 5-3/8" reach. 2.0 GPM Laminar flow control.



Control module, AC powered vandal resistant with armored control/power cable. Power adapter, standard plug-in type, provides 12V DC output. Slow closing solenoid valve, piston-operated, provides reliable smooth operation without water hammer. In-line filter with clean-out trap. Sensor range adjustable from 6" to 30". Automatic time-out feature adjustable from 0 (preset-active until no activity sensed) up to 60 seconds in 15 second intervals. Shut-off delay adjustable to 0, 1 (preset), 2, 4 or 8 seconds.

Battery powered unit available. Specifications same as above, except provides 6V DC and includes battery holder for four AA batteries in lieu of plug-in power adapter.

JTM-47 - Thermostatic Mixing Valve

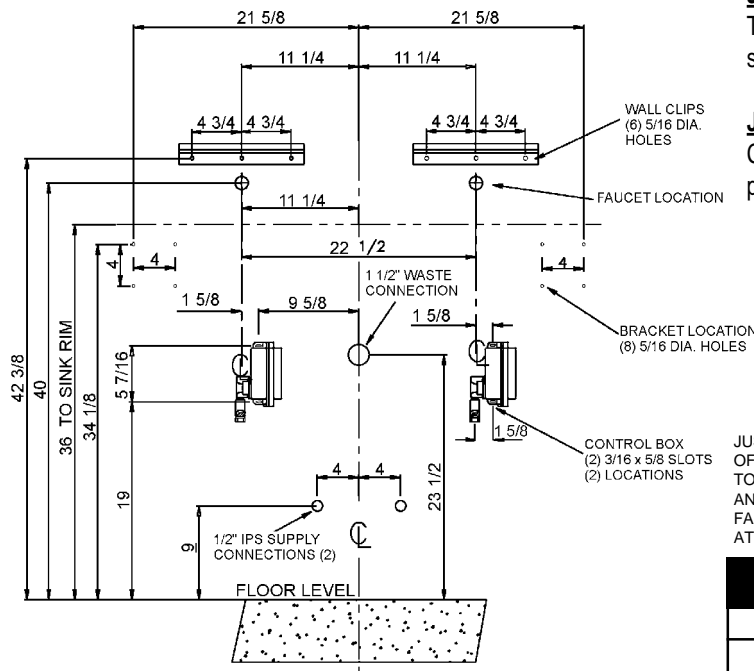
Anti-Scald mixing valve with bronze body with integral check valves and adjustment cap with locking feature. 1/2" sweat union inlet and outlet connections. Temperature range from 60 to 120 F (16 C to 49 C). ASSE Standard 1016 Listed.

J-35-SSF Drain

Type 304 stainless steel drain body, stainless steel flat grid strainer and 1-1/2" O.D. stainless steel tailpiece, 4" long.

JT-150 P-Trap

Chrome plated cast brass 1-1/2" P-trap with cleanout. Drain pipe of 17 ga. chrome plated brass.



AC OUTLET MUST BE INSTALLED ACCORDING TO LOCAL CODES. INSTALLATION CONTRACTOR RESPONSIBLE FOR COMPLIANCE WITH THOSE CODES.

JUST MFG. COMPANY CONTINUES TO MAKE QUALITY AND FUNCTIONALITY A MARK OF THE JUST PRODUCT LINE. TO DO SO REQUIRES THAT WE RESERVE THE RIGHT TO CHANGE PRODUCT INFORMATION WITHOUT NOTICE. FOR THE MOST CURRENT AND ACCURATE INFORMATION REGARDING THE COMPLETE LINE OF JUST SINKS, FAUCETS AND DRAINS, CLICK ON THE **SPEC LINE DRAWINGS** LINK ON OUR WEB SITE AT www.justmfg.com

JUST MANUFACTURING COMPANY

9233 KING STREET . FRANKLIN PARK . ILLINOIS . 60131-2111

PH: 847-678-5150 . FAX: 847-678-6817

E-MAIL: custserv@justmfg.com . www.justmfg.com