

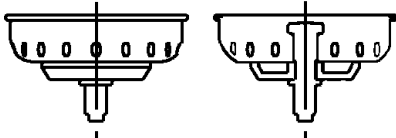
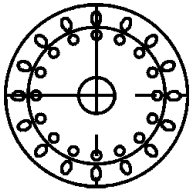
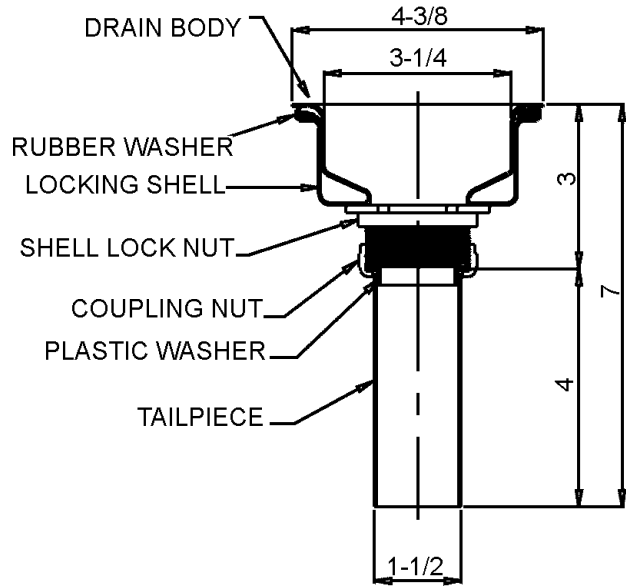
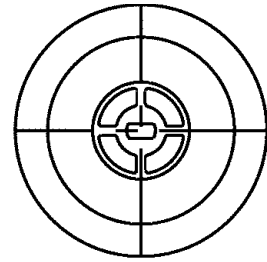


FITTINGS GROUP

J-35-STP

**Stainless Steel Drain
with Stainless Steel Tailpiece and
Crumb Cup Strainer**

SUBMITTAL DATA



STRAINER DETAIL

TECHNICAL DATA

DRAIN:

Body of Type 304 stainless steel
Strainer and post of Type 304 stainless steel
Stopper of rubber

TAILPIECE:

Type 304 stainless steel

LOCK NUT:

Die-cast zinc

COUPLING NUT:

Die-cast

VARIANTS

Brass coupling nut

Dimensions tolerance +/- 1/4".

Dimensions may vary and are subject to change. No responsibility is assumed for use of superseded or voided data.

FUNCTIONAL DESIGN, QUALITY, AND SPECIFICATIONS LISTED DESCRIBE THE JUST STANDARD OF QUALITY. WHEN MAKING COMPARISONS WITH OTHER OFFERINGS, INSIST ON THE JUST QUALITY OF CONSTRUCTION. FOR ADDITIONAL INFORMATION REGARDING THE COMPLETE LINE OF **JUST** SINKS, FAUCETS AND DRAINS, VISIT OUR WEB SITE AT www.justmfg.com

| | |
|----------------------------|------------|
| Job Name _____ | |
| Customer _____ | |
| Architect/Engineer _____ | |
| APPROVED FOR MANUFACTURING | |
| MODEL NO. _____ | QTY. _____ |
| COMPANY _____ | |
| TITLE _____ | DATE _____ |
| SIGNATURE _____ | |

| | |
|---|--|
| JUST MANUFACTURING COMPANY | |
| 9233 KING STREET . FRANKLIN PARK . ILLINOIS . 60131-2111 | |
| PH: 847-678-5150 . FAX: 847-678-6817 | |
| E-MAIL: custserv@justmfg.com . www.justmfg.com | |

REVISED-5/2004