

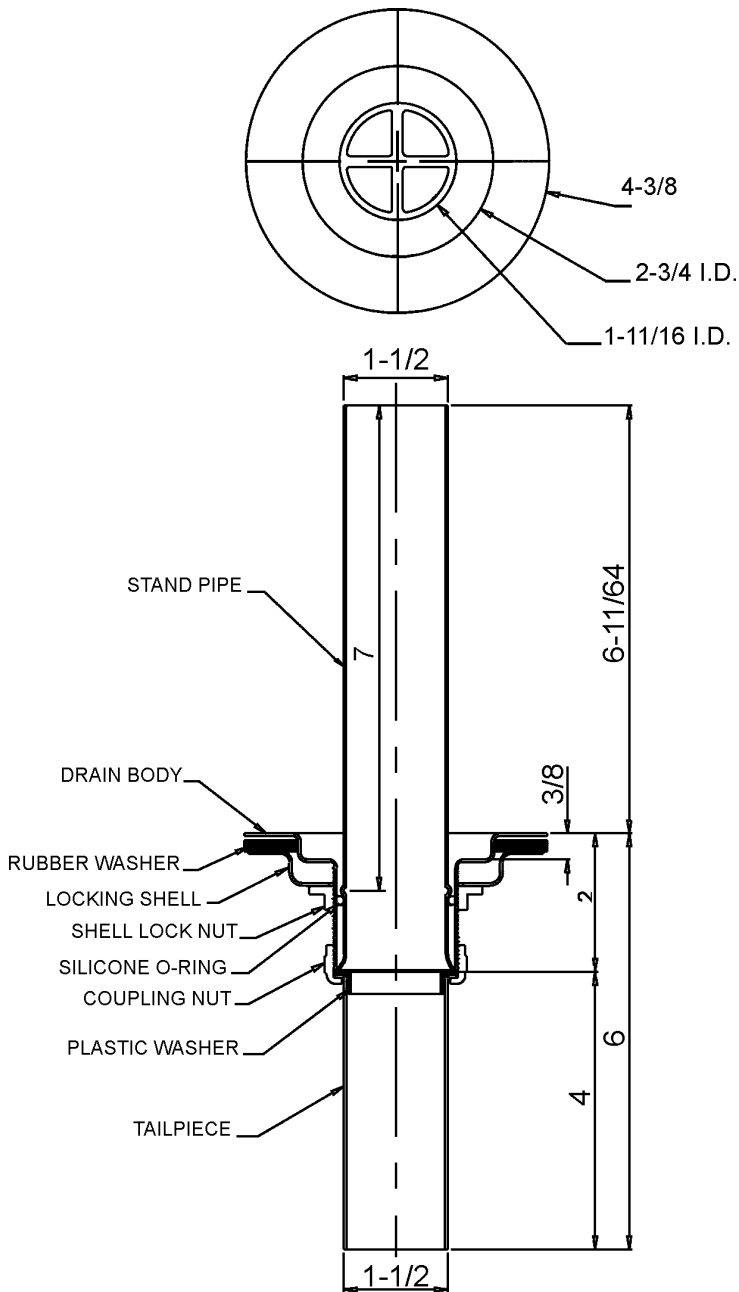


FITTINGS GROUP

J-35-SSW

**Stainless Steel Drain
with
Standpipe**

SUBMITTAL DATA



TECHNICAL DATA

DRAIN:

Body of Type 304 stainless steel
Standpipe of Type 304 stainless steel
Stopper is rubber

TAILPIECE:

Type 304 stainless steel

LOCK NUT:

Die-cast zinc

COUPLING NUT:

Die-cast

VARIANTS

- Length of standpipe
- Brass coupling nut

Dimensions tolerance +/- 1/4".

Dimensions may vary and are subject to change. No responsibility is assumed for use of superseded or voided data.

FUNCTIONAL DESIGN, QUALITY, AND SPECIFICATIONS LISTED DESCRIBE THE JUST STANDARD OF QUALITY. WHEN MAKING COMPARISONS WITH OTHER OFFERINGS, INSIST ON THE JUST QUALITY OF CONSTRUCTION. FOR ADDITIONAL INFORMATION REGARDING THE COMPLETE LINE OF *JUST* SINKS, FAUCETS AND DRAINS, VISIT OUR WEB SITE AT www.justmfg.com

Job Name _____	
Customer _____	
Architect/Engineer _____	
APPROVED FOR MANUFACTURING	
MODEL NO. _____	QTY. _____
COMPANY _____	
TITLE _____	DATE _____
SIGNATURE _____	

REVISED-5/2004

JUST MANUFACTURING COMPANY	
9233 KING STREET . FRANKLIN PARK . ILLINOIS . 60131-2111	
PH: 847-678-5150 . FAX: 847-678-6817	
E-MAIL: custserv@justmfg.com . www.justmfg.com	