

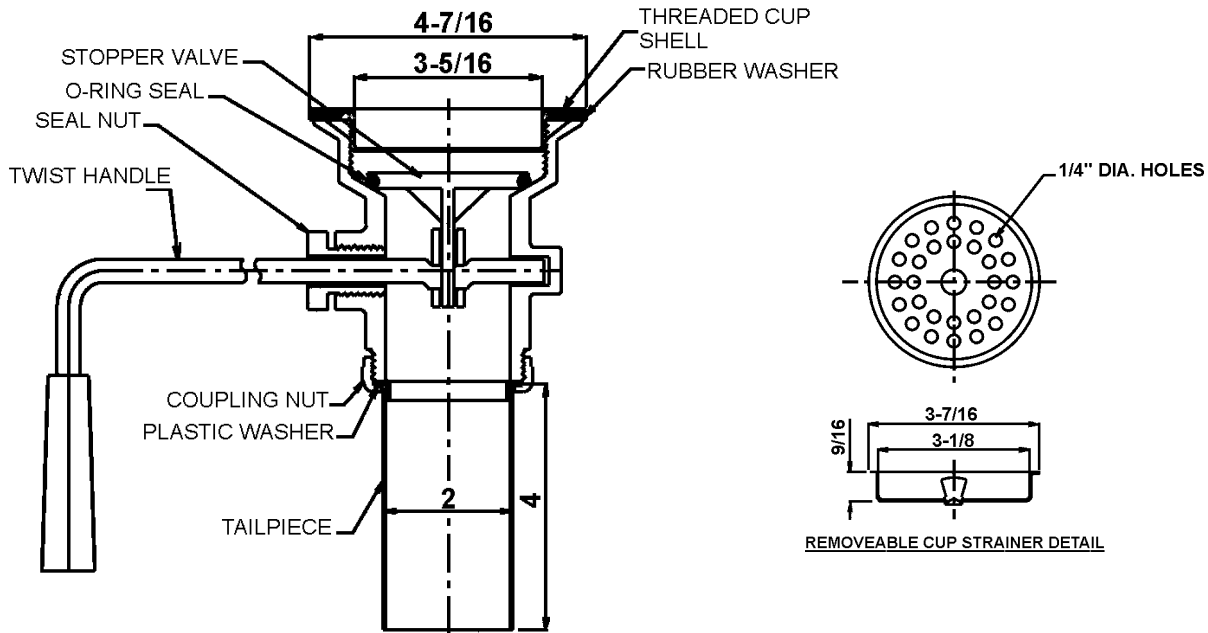


FITTINGS GROUP

J-35-LAC-2

Twist Handle Drain

SUBMITTAL DATA



TECHNICAL DATA

DRAIN:

Valve/drain body chrome plated cast bronze
 Removeable strainer stainless steel
 Threaded cup shell of Type 304 stainless steel
 Twist handle of Type 304 stainless steel

TAILPIECE:

Chrome plated brass

COUPLING NUT:

Die-cast

VARIANTS

Brass coupling nut
 1-1/2" outlet

Dimensions tolerance +/- 1/4".

Dimensions may vary and are subject to change. No responsibility is assumed for use of superseded or voided data.

FUNCTIONAL DESIGN, QUALITY, AND SPECIFICATIONS LISTED DESCRIBE THE JUST STANDARD OF QUALITY. WHEN MAKING COMPARISONS WITH OTHER OFFERINGS, INSIST ON THE JUST QUALITY OF CONSTRUCTION. FOR ADDITIONAL INFORMATION REGARDING THE COMPLETE LINE OF *JUST* SINKS, FAUCETS AND DRAINS, VISIT OUR WEB SITE AT www.justmfg.com

Job Name _____	
Customer _____	
Architect/Engineer _____	
APPROVED FOR MANUFACTURING	
MODEL NO. _____	QTY. _____
COMPANY _____	
TITLE _____	DATE _____
SIGNATURE _____	

REVISED-5/2004

JUST MANUFACTURING COMPANY
9233 KING STREET.FRANKLIN PARK.ILLINOIS.60131-2111
PH: 847-678-5150 . FAX: 847-678-6817
E-MAIL: custserv@justmfg.com . www.justmfg.com