

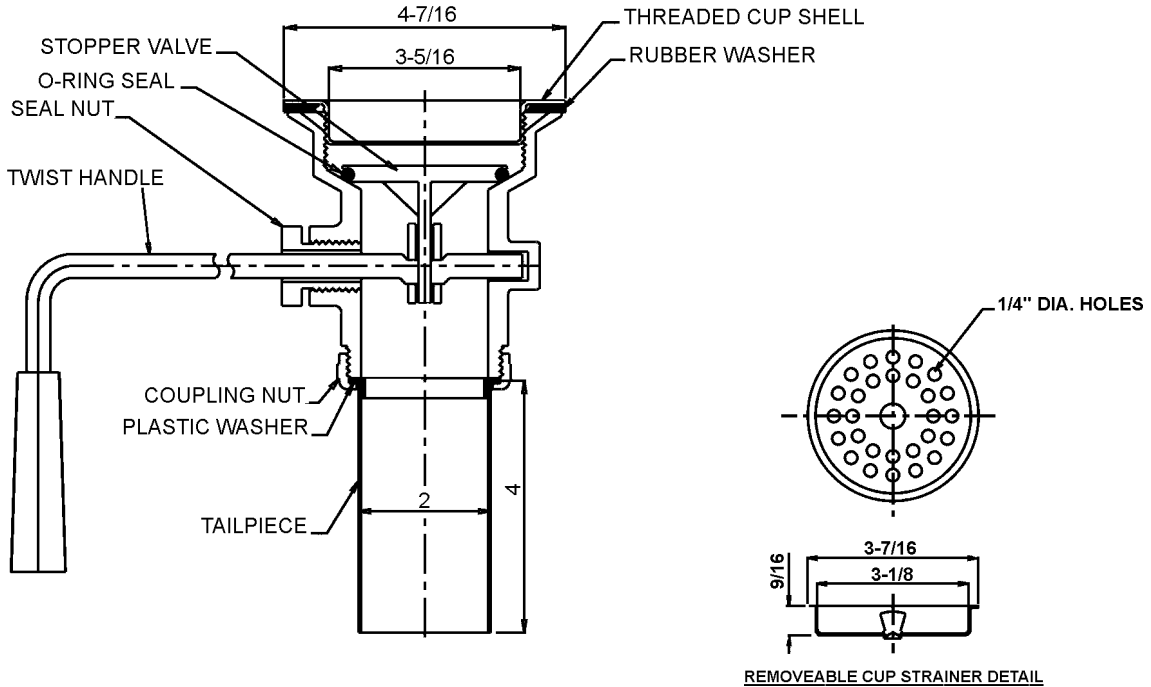


FITTINGS GROUP

J-35-BLA-316-2

Twist Handle Drain

SUBMITTAL DATA



TECHNICAL DATA

DRAIN:

Valve/drain body cast Type 316 stainless steel
 Removeable flat strainer of Type 316 stainless steel
 Threaded cup shell of Type 316 stainless steel
 Twist handle of Type 316 stainless steel

TAILPIECE:

Chrome plated brass

COUPLING NUT:

Die-cast

VARIANTS

Brass coupling nut
 1-1/2" outlet

FUNCTIONAL DESIGN, QUALITY, AND SPECIFICATIONS LISTED DESCRIBE THE JUST STANDARD OF QUALITY. WHEN MAKING COMPARISONS WITH OTHER OFFERINGS, INSIST ON THE JUST QUALITY OF CONSTRUCTION. FOR ADDITIONAL INFORMATION REGARDING THE COMPLETE LINE OF **JUST** SINKS, FAUCETS AND DRAINS, VISIT OUR WEB SITE AT www.justmfg.com

Job Name _____
Customer _____
Architect/Engineer _____
APPROVED FOR MANUFACTURING
MODEL NO. _____ QTY. _____
COMPANY _____
TITLE _____ DATE _____
SIGNATURE _____

JUST MANUFACTURING COMPANY
9233 KING STREET . FRANKLIN PARK . ILLINOIS . 60131-2111
PH: 847-678-5150 . FAX: 847-678-6817
E-MAIL: custserv@justmfg.com . www.justmfg.com

REVISED-5/2004