



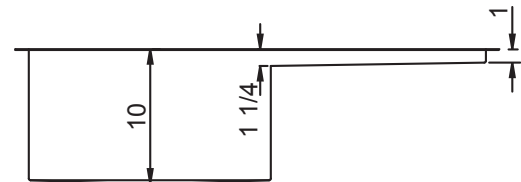
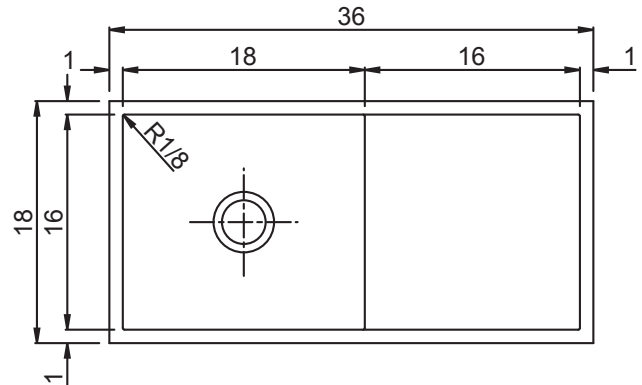
J.18SI-1836-A-R

CULINARY SERIES

PENCIL RADIUS

SINGLE BOWL - SINGLE DRAINBOARD

SUBMITTAL DATA



OPENING FOR
J-35 DRAIN

SPECIFICATION

Constructed of 18 gauge type 304 stainless steel. Top deck, interior surfaces polished to a non-porous Hand-Blended Just Finish, with a highlighted bowl rim. Straight-sided compartment with radius corners. Fully coated underside insulates for sound, and reduces condensation. Furnished with undermount clips less fasteners. Drain punch #35 for Just J-35 drain.

APPROVED FOR MANUFACTURING	
MODEL NO.:	J.18SI-1836-A-R QTY: _____
JOB NAME:	_____
TAG/ITEM:	_____
CUSTOMER:	_____
SIGNATURE:	_____



JUST MFG. COMPANY CONTINUES TO MAKE QUALITY AND FUNCTIONALITY A MARK OF THE JUST PRODUCT LINE. TO DO SO REQUIRES THAT WE RESERVE THE RIGHT TO CHANGE PRODUCT INFORMATION WITHOUT NOTICE. DIMENSIONS MAY VARY AND ARE SUBJECT TO CHANGE WITHOUT NOTICE. NO RESPONSIBILITY IS ASSUMED FOR USE OF SUPERCEDED OR VOIDED DATA. FOR THE MOST CURRENT AND ACCURATE INFORMATION REGARDING THE COMPLETE LINE OF JUST SINKS, FAUCETS AND DRAINS, CLICK ON THE **SPEC LINE DRAWINGS** LINK ON OUR WEB SITE AT www.justmfg.com

JUST MANUFACTURING COMPANY

9233 KING STREET . FRANKLIN PARK . ILLINOIS . 60131-2111

PH: 847-678-5150 . FAX: 847-678-6817 . E-MAIL: custserv@justmfg.com . www.justmfg.com