

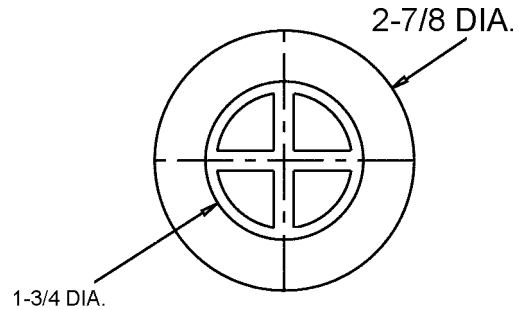
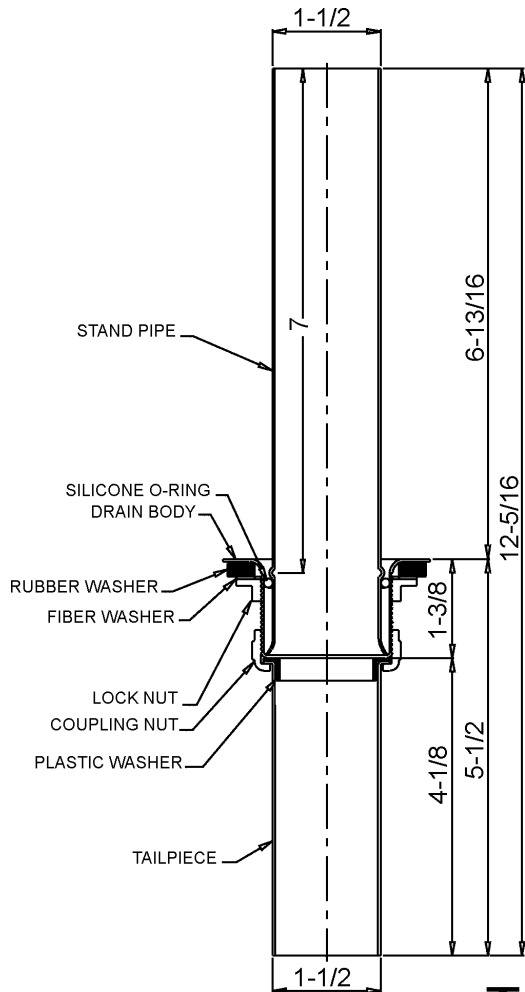


FITTINGS GROUP

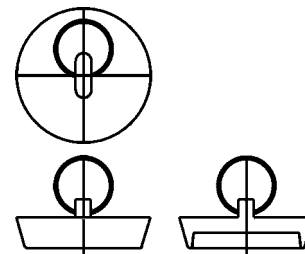
J-15-SSW

**Stainless Steel Drain
with
Stainless Steel Standpipe**

SUBMITTAL DATA



DRAIN TOP VIEW



RUBBER STOPPER DETAIL

TECHNICAL DATA

DRAIN:
Body of Type 304 stainless steel
Type 304 stainless steel standpipe

TAILPIECE:
Type 304 stainless steel

LOCK NUT:
Die-cast zinc

COUPLING NUT:
Die-cast

VARIANTS
 Length of standpipe
 Brass coupling nut

FUNCTIONAL DESIGN, QUALITY, AND SPECIFICATIONS LISTED DESCRIBE THE JUST STANDARD OF QUALITY. WHEN MAKING COMPARISONS WITH OTHER OFFERINGS, INSIST ON THE JUST QUALITY OF CONSTRUCTION. FOR ADDITIONAL INFORMATION REGARDING THE COMPLETE LINE OF **JUST** SINKS, FAUCETS AND DRAINS, VISIT OUR WEB SITE AT www.justmfg.com

Job Name _____
Customer _____
Architect/Engineer _____

APPROVED FOR MANUFACTURING

MODEL NO. _____ QTY. _____
COMPANY _____
TITLE _____ DATE _____
SIGNATURE _____

REVISED-5/2004

JUST MANUFACTURING COMPANY
9233 KING STREET . FRANKLIN PARK . ILLINOIS . 60131-2111
PH: 847-678-5150 . FAX: 847-678-6817
E-MAIL: custserv@justmfg.com . www.justmfg.com