

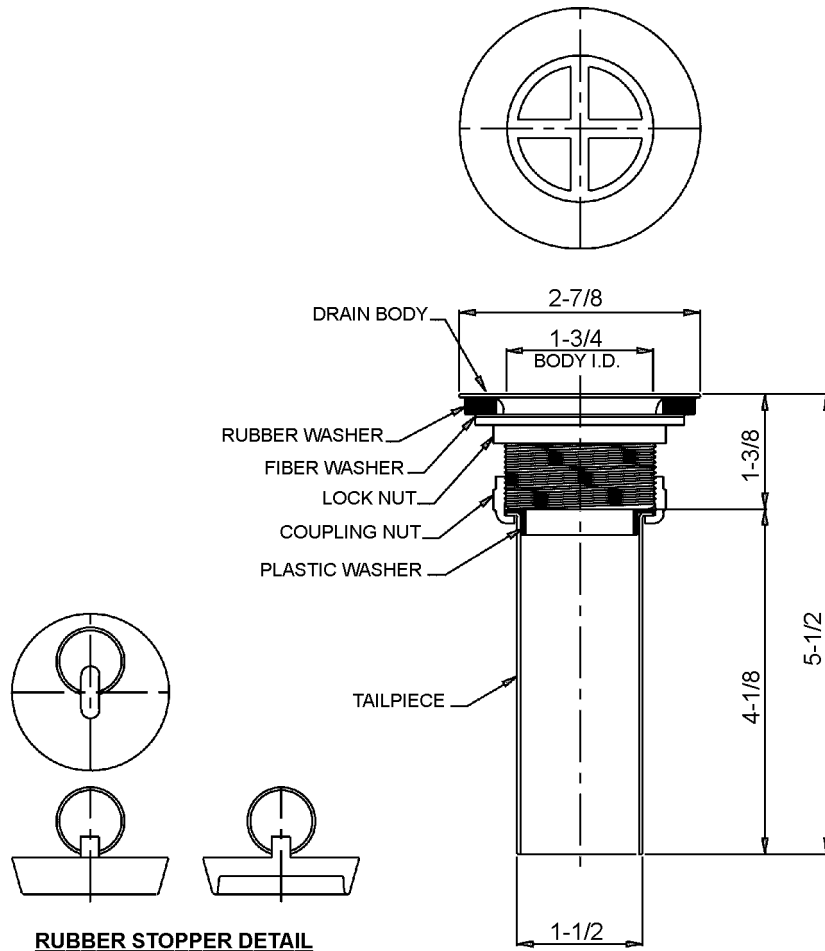


FITTINGS GROUP

J-15-SS-316

Type 316 Stainless Steel Drain with Rubber Stopper

SUBMITTAL DATA



TECHNICAL DATA

DRAIN:
Body of type 316 stainless steel
Rubber stopper with lift ring

TAILPIECE:
Type 316 stainless steel

LOCK NUT:
Die-cast zinc

COUPLING NUT:
Die-cast

VARIANTS
Brass coupling nut

Dimensions tolerance +/- 1/4".
Dimensions may vary and are subject to change. No responsibility is assumed for use of superseded or voided data.

FUNCTIONAL DESIGN, QUALITY, AND SPECIFICATIONS LISTED DESCRIBE THE JUST STANDARD OF QUALITY. WHEN MAKING COMPARISONS WITH OTHER OFFERINGS, INSIST ON THE JUST QUALITY OF CONSTRUCTION. FOR ADDITIONAL INFORMATION REGARDING THE COMPLETE LINE OF **JUST** SINKS, FAUCETS AND DRAINS, VISIT OUR WEB SITE AT www.justmfg.com

Job Name _____
Customer _____
Architect/Engineer _____
APPROVED FOR MANUFACTURING
MODEL NO. _____ QTY. _____
COMPANY _____
TITLE _____ DATE _____
SIGNATURE _____

REVISED-5/2004

JUST MANUFACTURING COMPANY
9233 KING STREET.FRANKLIN PARK.ILLINOIS.60131-2111
PH: 847-678-5150 . FAX: 847-678-6817
E-MAIL: custserv@justmfg.com . www.justmfg.com