

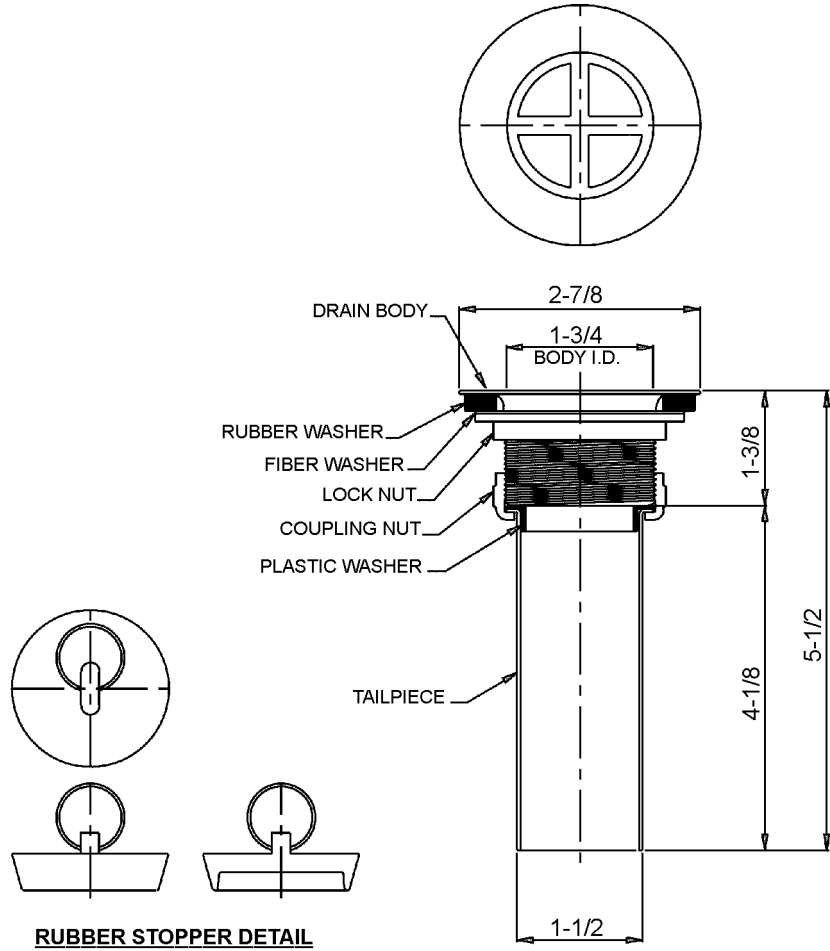


**FITTINGS GROUP**

J-15-SS

**Drain with rubber stopper**

**SUBMITTAL DATA**



**RUBBER STOPPER DETAIL**

**TECHNICAL DATA**

**DRAIN:**

Stainless steel - Type 304  
Rubber stopper with lift ring

**TAILPIECE:**

Stainless steel - Type 304

**LOCK NUT:**

Die-cast zinc

**COUPLING NUT:**

Die-cast

**VARIANTS**

Brass coupling nut

Job Name _____	
Customer _____	
Architect/Engineer _____	
<b>APPROVED FOR MANUFACTURING</b>	
MODEL NO. _____	QTY. _____
COMPANY _____	
TITLE _____	DATE _____
SIGNATURE _____	

REVISED-5/2004

FUNCTIONAL DESIGN, QUALITY, AND SPECIFICATIONS LISTED DESCRIBE THE JUST STANDARD OF QUALITY. WHEN MAKING COMPARISONS WITH OTHER OFFERINGS, INSIST ON THE JUST QUALITY OF CONSTRUCTION. FOR ADDITIONAL INFORMATION REGARDING THE COMPLETE LINE OF **JUST** SINKS, FAUCETS AND DRAINS, VISIT OUR WEB SITE AT [www.justmfg.com](http://www.justmfg.com)

<b>JUST MANUFACTURING COMPANY</b>
9233 KING STREET . FRANKLIN PARK . ILLINOIS . 60131-2111
PH: 847-678-5150 . FAX: 847-678-6817
E-MAIL: <a href="mailto:custserv@justmfg.com">custserv@justmfg.com</a> . <a href="http://www.justmfg.com">www.justmfg.com</a>