

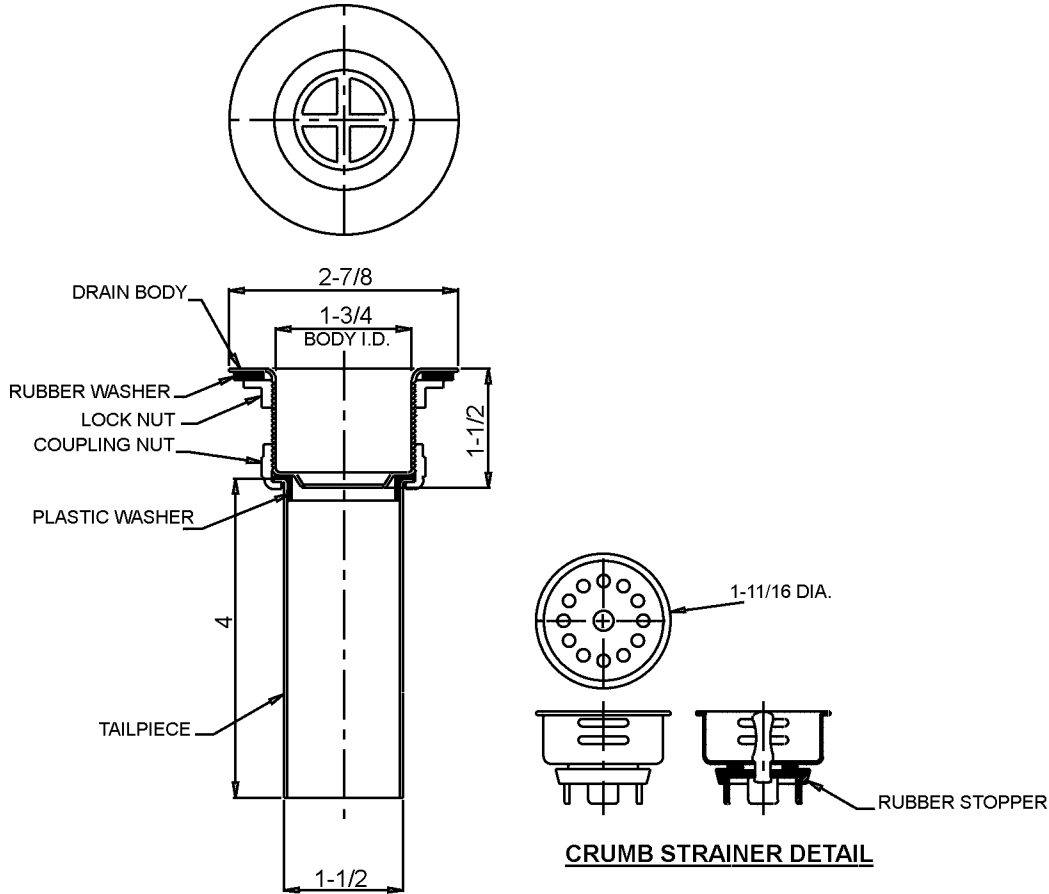


FITTINGS GROUP

J-15-CC

Drain with crumb strainer

SUBMITTAL DATA



TECHNICAL DATA

DRAIN:
Stainless steel

STRAINER:
Stainless steel

TAILPIECE:
Chrome plated brass

LOCK NUT:
Die-cast zinc

COUPLING NUT:
Die-cast

VARIANTS
None

Job Name _____	
Customer _____	
Architect/Engineer _____	
APPROVED FOR MANUFACTURING	
MODEL NO. _____	QTY. _____
COMPANY _____	
TITLE _____	DATE _____
SIGNATURE _____	

FUNCTIONAL DESIGN, QUALITY, AND SPECIFICATIONS LISTED DESCRIBE THE JUST STANDARD OF QUALITY. WHEN MAKING COMPARISONS WITH OTHER OFFERINGS, INSIST ON THE JUST QUALITY OF CONSTRUCTION. FOR ADDITIONAL INFORMATION REGARDING THE COMPLETE LINE OF **JUST** SINKS, FAUCETS AND DRAINS, VISIT OUR WEB SITE AT www.justmfg.com

JUST MANUFACTURING COMPANY
9233 KING STREET .FRANKLIN PARK.ILLINOIS.60131-2111
PH: 847-678-5150 . FAX: 847-678-6817
E-MAIL: custserv@justmfg.com . www.justmfg.com

REVISED-5/2004