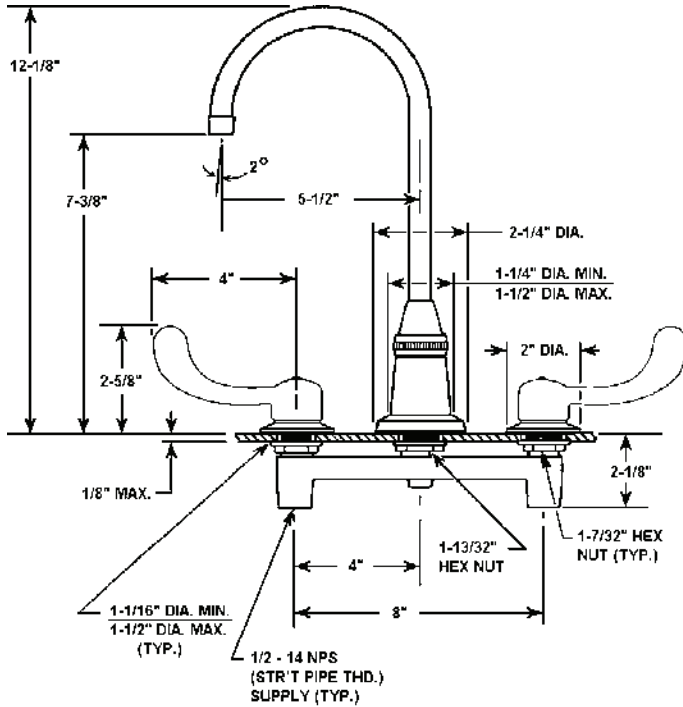
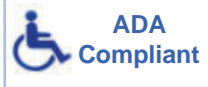




# J-1174-KS

## FAUCET GROUP CONCEALED LEDGEMOUNT



### TECHNICAL DATA CONSTRUCTION:

- Concealed ledgemount on 8 inch centers
- Cast brass body
- Swiveling gooseneck spout with 7-3/8" clearance
- Replaceable seats
- Brass quarter turn quick compression stem units
- Replaceable reinforced nitrile rubber packing
- Replaceable Buna-N seat washers
- 4" PVD chrome wrist blade handles
- Equipped with water saving aerator
- Certified by IAPMO R&T to:

- \* NSF/ANSI 61- 2010a
- \* NSF 372
- \* Low Lead
- \* ANSI A112.18.1 / CSA B125.1
- \* UPC
- \* IPC
- \* ADA Compliant



### FINISH

PVD chrome

### FLOW RATE

1.5 GPM flow restricting aerator

### A.D.A. COMPLIANCE

Yes

### VARIANTS

J-1174-R = J-1174-KS w/ Rigid, non-swiveling spout

OPTIONS	
AERATORS / FLOW CONTROL	
0.5 GPM	2.0 GPM
1.0 GPM	
HANDLES	
W4 - 4" Wrist Blades	
W6 - 6" Wrist Blades	
VANDAL RESISTANT	
Handles - VR-H	
Aerator - VR-A	

APPROVED FOR MANUFACTURING

MODEL NO.: **J-1174-KS** QTY: \_\_\_\_\_

JOB NAME: \_\_\_\_\_

TAG/ITEM: \_\_\_\_\_

CUSTOMER: \_\_\_\_\_

SIGNATURE: \_\_\_\_\_

JUST MFG. COMPANY CONTINUES TO MAKE QUALITY AND FUNCTIONALITY A MARK OF THE JUST PRODUCT LINE. WE RESERVE THE RIGHT TO CHANGE PRODUCT INFORMATION WITHOUT NOTICE. DIMENSIONS MAY CHANGE AND MAY BE SUBJECT TO CHANGE WITHOUT NOTICE. NO RESPONSIBILITY IS ASSUMED FOR USE OF SUPERCEDED OR VOIDED DATA. JUST MFG. CO. SINKS ARE MADE IN THE U.S.A. WHEN COMPARING OTHER BRAND PRODUCTS, BE SURE TO COMPARE USA QUALITY ALONG WITH FEATURES AND DIMENSIONS.

JUST MANUFACTURING COMPANY

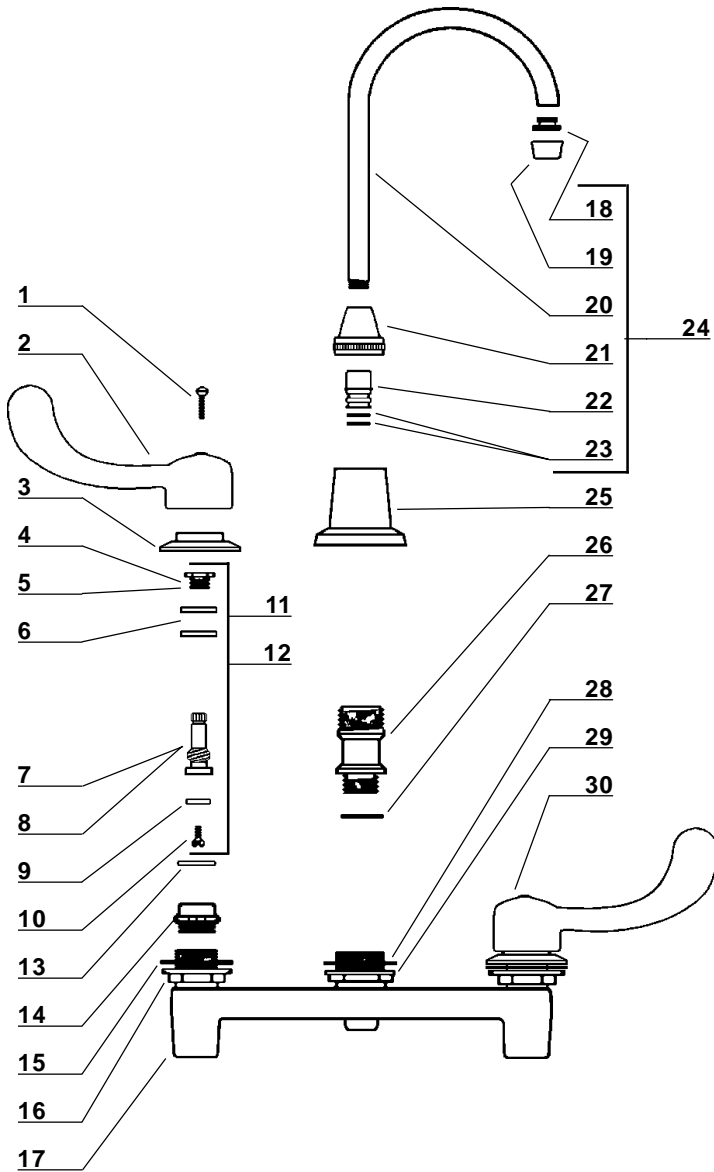
9233 KING STREET FRANKLIN PARK ILLINOIS 60131-2111

PH: 847-678-5150 . FAX: 847-678-6817 . E-MAIL: custserv@justmfg.com . www.justmfg.com



**FAUCET GROUP**

**CONCEALED LEDGEMOUNT**



Item No.	Part No.	Description
1	107-F	Handle Screw
2	4147	Blade Handle - 4"
3	524	Escutcheon
4	454-EC	Bonnet ( Cold Side )
5	454-EH	Bonnet ( Hot Side )
6	1038-453	O-Ring
7	454-FL	Stem ( Cold Side )
8	454-FR	Stem ( Hot Side )
9	901-WN	Seat Washer
10	104	Seat Washer Screw
11	SU-454-EL	Stem Sub-assembly (Cold)
12	SU-454-ER	Stem Sub-assembly (Hot)
13	1028-Y	Gasket
14	263-C	Replaceable Seat
15	491-U	Corner Gasket
16	53-AS	Locknut
17	1959-J	Body
18	PF-166-U	Adapter
19	30-M	Aerator
20	PF-157-K	Gooseneck Spout
21	PF-157-JES	Spout Nut
22	PF-741-DO	Adaptor
23	1038-K	"O" Rings
24	SU-157-KSA	Gooseneck Spout Assy.
25	1012-N	Escutcheon
26	2985-J	Centerpiece
27	402-J	Washer
28	491-S	Gasket
29	53-BS	Locknut
30	4147	Blade Handle - 4"

JUST MFG. COMPANY CONTINUES TO MAKE QUALITY AND FUNCTIONALITY A MARK OF THE JUST PRODUCT LINE. TO DO SO REQUIRES THAT WE RESERVE THE RIGHT TO CHANGE PRODUCT INFORMATION WITHOUT NOTICE. DIMENSIONS MAY VARY AND ARE SUBJECT TO CHANGE WITHOUT NOTICE. NO RESPONSIBILITY IS ASSUMED FOR USE OF SUPERCEDED OR VOIDED DATA. FOR THE MOST CURRENT AND ACCURATE INFORMATION REGARDING THE COMPLETE LINE OF JUST SINKS, FAUCETS AND DRAINS, CLICK ON THE **SPEC LINE DRAWINGS** LINK ON OUR WEB SITE AT [www.justmfg.com](http://www.justmfg.com)

**JUST MANUFACTURING COMPANY**  
 9233 KING STREET . FRANKLIN PARK . ILLINOIS . 60131-2111  
 PH: 847-678-5150 . FAX: 847-678-6817  
 E-MAIL: [custserv@justmfg.com](mailto:custserv@justmfg.com) . [www.justmfg.com](http://www.justmfg.com)