



INSTITUTIONAL GROUP

J-127- JHL

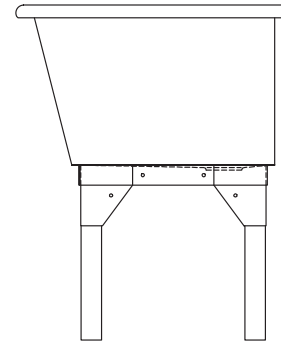
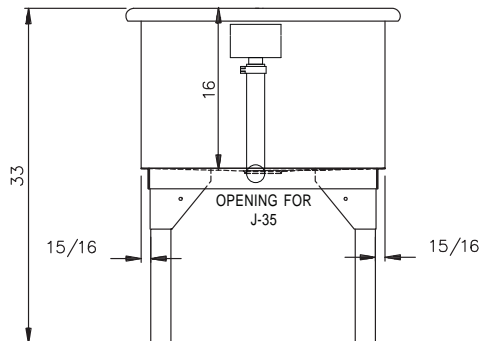
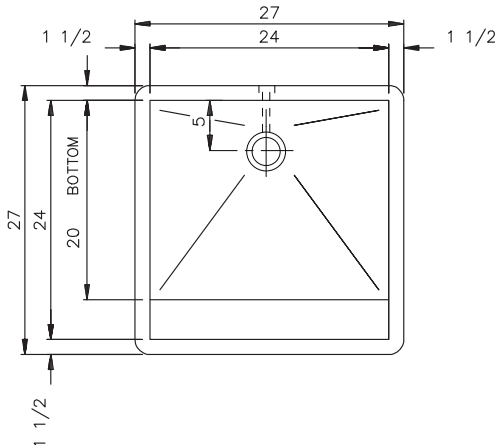
LAUNDRY TUB with INTEGRA FLOW
SINGLE COMPARTMENT

SUBMITTAL DATA



SPECIFICATION

Seamless welded construction, fabricated of 14 gauge type 304 stainless steel with Integra Flow. 1-1/2" dia. roll rim. Surfaces polished to a Hand-Blended Just Finish. Exposed exterior surfaces polished with a standard brush finish. Includes four 14 gauge type 304 stainless steel legs with angle frame. Drain punched for J-35-FS drain unless otherwise specified.



Job Name _____

Customer _____

Architect/Engineer _____

APPROVED FOR MANUFACTURING

MODEL NO. J-127-JHL _____ QTY. _____

COMPANY _____

TITLE _____ DATE _____

SIGNATURE _____

FUNCTIONAL DESIGN, QUALITY, AND SPECIFICATIONS LISTED DESCRIBE THE JUST STANDARD OF QUALITY. WHEN MAKING COMPARISONS WITH OTHER OFFERINGS, INSIST ON THE JUST QUALITY OF CONSTRUCTION. FOR ADDITIONAL INFORMATION REGARDING THE COMPLETE LINE OF **JUST**SINKS, FAUCETS AND DRAINS, VISIT OUR WEB SITE AT www.justmfg.com

JUST MANUFACTURING COMPANY

9233 KING STREET . FRANKLIN PARK . ILLINOIS . 60131-2111

PH: 847-678-5150

FAX: 847-678-6817

E-MAIL: custserv@justmfg.com

www.justmfg.com