

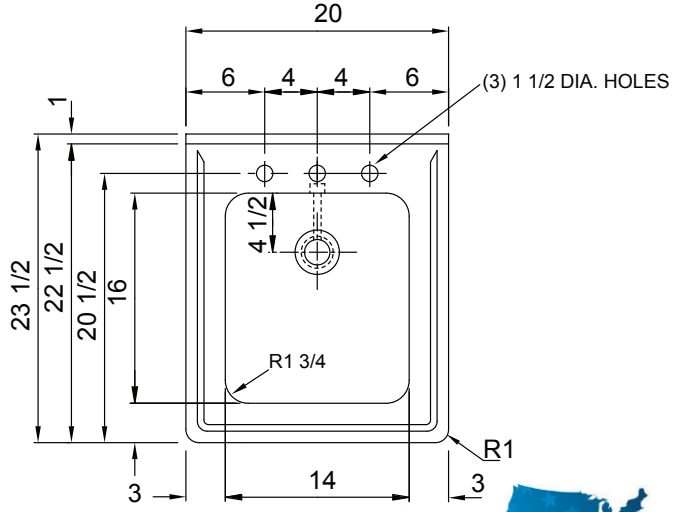


HCL-23520-T

INSTITUTIONAL GROUP

HANDICAP LAVATORY - WALL-HUNG

SUBMITTAL DATA



ADA COMPLIANT
Vandal Resistant

SPECIFICATIONS

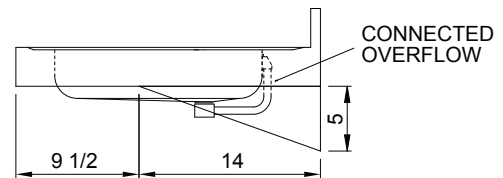
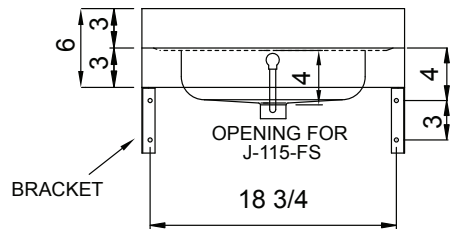
Seamless die-drawn construction of type 304, 18-8 stainless steel. Interior and top surfaces polished to a non-porous Hand-Blended Just Finish. Smooth coated underside insulates for sound, and reduces condensation. Straight-sided compartment with 1 3/4" radius corners provides greater capacity. Drain punch for standard lavatory drain unless otherwise specified.



INCLUDES

J-1174-KS concealed mixing faucet with 6 1/2" chrome-plated swivel gooseneck spout. PVD polished chrome finish.

J-ADA-115-FS chrome-plated cast brass flat grid drain with cast brass elbow connecting 90°, 1 1/4" elbow with overflow.



APPROVED FOR MANUFACTURING	
MODEL NO.:	HCL-23520-T QTY: _____
JOB NAME:	_____
TAG/ITEM:	_____
CUSTOMER:	_____
SIGNATURE:	_____



JUST MFG. COMPANY CONTINUES TO MAKE QUALITY AND FUNCTIONALITY A MARK OF THE JUST PRODUCT LINE. TO DO SO REQUIRES THAT WE RESERVE THE RIGHT TO CHANGE PRODUCT INFORMATION WITHOUT NOTICE. DIMENSIONS MAY VARY AND ARE SUBJECT TO CHANGE WITHOUT NOTICE. NO RESPONSIBILITY IS ASSUMED FOR USE OF SUPERCEDED OR VOIDED DATA. FOR THE MOST CURRENT AND ACCURATE INFORMATION REGARDING THE COMPLETE LINE OF JUST SINKS, FAUCETS AND DRAINS, CLICK ON THE ***SPEC LINE DRAWINGS*** LINK ON OUR WEB SITE AT www.justmfg.com

JUST MANUFACTURING COMPANY

9233 KING STREET . FRANKLIN PARK . ILLINOIS . 60131-2111

PH: 847-678-5150 . FAX: 847-678-6817 . E-MAIL: custserv@justmfg.com . www.justmfg.com

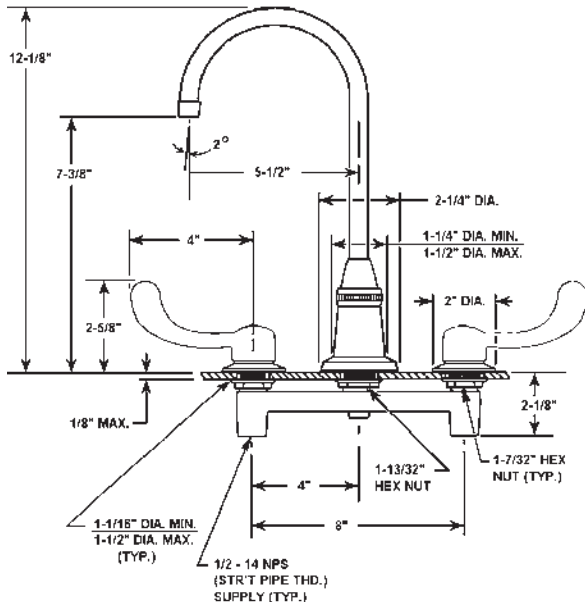


HCL-23520

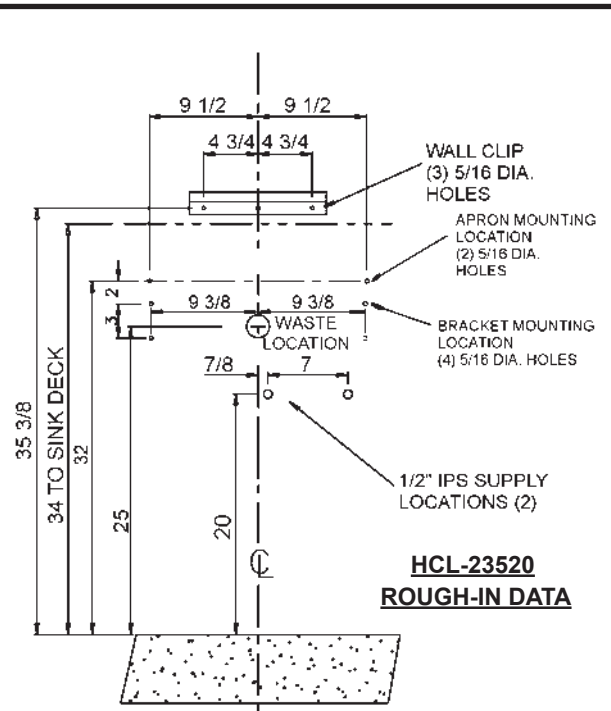
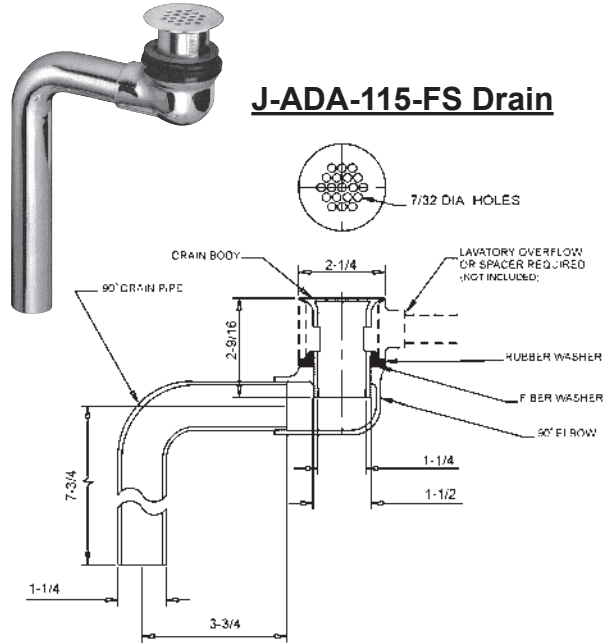
INSTITUTIONAL GROUP
HANDICAP LAVATORY - WALL-HUNG

SUBMITTAL DATA

J-1174-KS Faucet



J-ADA-115-FS Drain



JUST MANUFACTURING COMPANY

9233 KING STREET . FRANKLIN PARK . ILLINOIS . 60131-2111

PH: 847-678-5150 . FAX: 847-678-6817 . E-MAIL: custserv@justmfg.com . www.justmfg.com

HCL23520T