



HCL-23520-S-SPD

INSTITUTIONAL GROUP

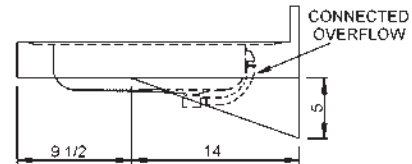
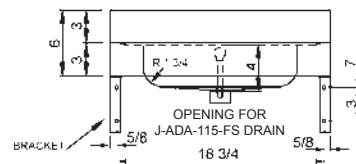
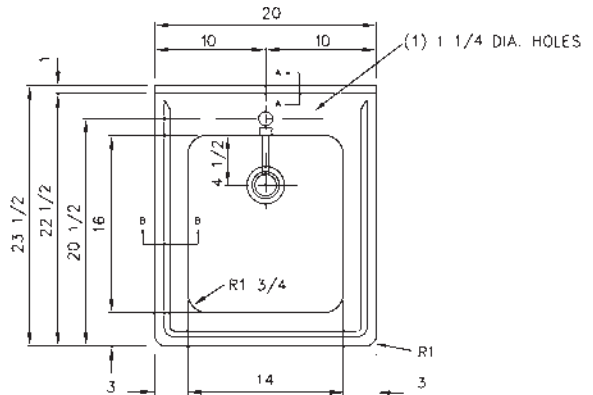
HANDICAP LAVATORY - WALL-HUNG

WITH

SENSOR-OPERATED FAUCET and

AUTOMATIC SENSOR SOAP DISPENSER

SUBMITTAL DATA



SPECIFICATION

Seamless welded construction, fabricated of 18 gauge type 304 stainless steel. Interior surfaces polished to a Hand-Blended Just Finish. Exposed exterior surfaces polished with a standard brush finish. Includes: one each, JSGN-6 deck mounted, sensor-operated faucet with laminar flow control; JTM-47 thermostatic mixing valve; JSPD-801 Automatic soap dispenser; J-ADA-115-FS flat grid lavatory drains with overflow; JT-125 cast brass P-Trap; two 18 gauge type 304 stainless steel integral wall brackets, and one 14 gauge stainless steel wall clip.

FAUCET - Must be specified

- JSGN-6-AC - w/plug-in power adapter
- JSGN-6-B - w/battery holder

OPTIONS

- Rose Spray
- 0.5 Laminar Flow

APPROVED FOR MANUFACTURING

MODEL NO.: **HCL-23520-S-SPD** QTY: _____

JOB NAME: _____

TAG/ITEM: _____

CUSTOMER: _____

SIGNATURE: _____



JUST MFG. COMPANY CONTINUES TO MAKE QUALITY AND FUNCTIONALITY A MARK OF THE JUST PRODUCT LINE. TO DO SO REQUIRES THAT WE RESERVE THE RIGHT TO CHANGE PRODUCT INFORMATION WITHOUT NOTICE. DIMENSIONS MAY VARY AND ARE SUBJECT TO CHANGE WITHOUT NOTICE. NO RESPONSIBILITY IS ASSUMED FOR USE OF SUPERCEDED OR VOIDED DATA. FOR THE MOST CURRENT AND ACCURATE INFORMATION REGARDING THE COMPLETE LINE OF JUST SINKS, FAUCETS AND DRAINS, CLICK ON THE **SPEC LINE DRAWINGS** LINK ON OUR WEB SITE AT www.justmfg.com

JUST MANUFACTURING COMPANY

9233 KING STREET . FRANKLIN PARK . ILLINOIS . 60131-2111

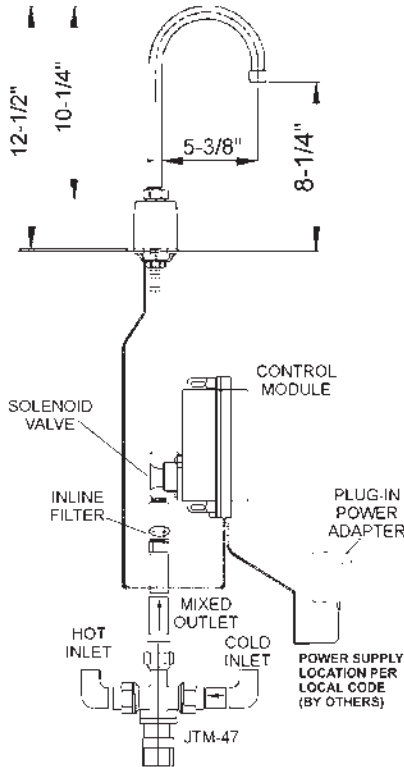
PH: 847-678-5150 . FAX: 847-678-6817 . E-MAIL: custserv@justmfg.com . www.justmfg.com



SUBMITTAL DATA

HCL-23520-S-SPD

INSTITUTIONAL GROUP FITTINGS



JSGN-6-AC - Sensor Operated Faucet with Control Module

Sensor-operated deck mounted gooseneck faucet. Chrome plated solid brass construction faucet body. Chrome plated spout 12-1/2" high from bottom of base (8-1/4" from base to aerator) with 5-3/8" reach. 2.0 GPM Laminar flow control.



Control module, AC powered vandal resistant with armored control/power cable. Power adapter, standard plug in type, provides 12V DC output. Slow closing solenoid valve, piston-operated, provides reliable smooth operation without water hammer. In-line filter with clean-out trap. Sensor range adjustable from 6" to 30". Automatic time-out feature adjustable from 0 (preset-active until no activity sensed) up to 60 seconds in 15 second intervals. Shut-off delay adjustable to 0, 1 (preset), 2, 4 or 8 seconds.

Battery powered unit available. Specifications same as above, except provides 6V DC and includes battery holder for four AA batteries in lieu of plug-in power adapter.

JTM-47 - Thermostatic Mixing Valve

Anti-Scald mixing valve with bronze body with integral check valves and adjustment cap with locking feature. 1/2" threaded union inlet and outlet connections. Temperature range from 60 to 120 F (16 C to 49 C). ASSE Standard 1016 Listed.

JSPD-801 - Soap Dispenser

Automatic sensor operated soap dispenser. Easily removeable 900ml tank, easily removeable for refilling and maintenance. Wall mounted - **requires 12" clear space between stainless steel surfaces.** Uses (6) AA batteries included.



J-ADA-115-FS Drain

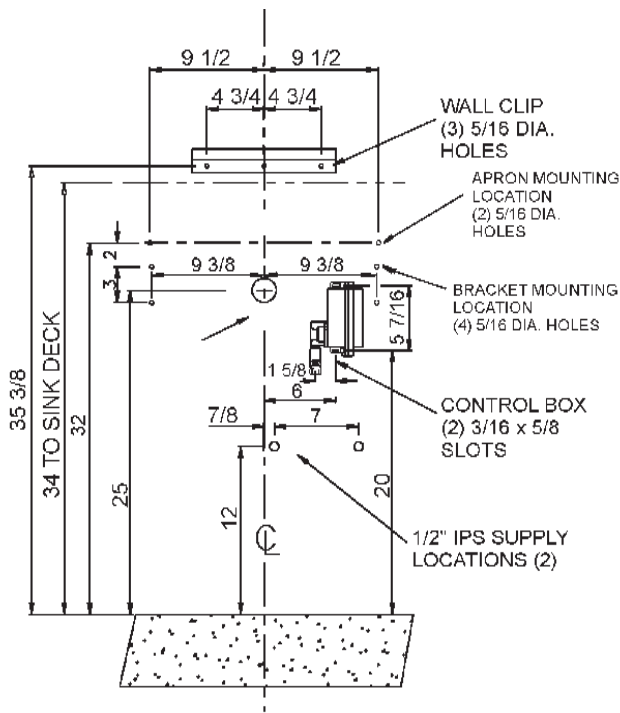
Polished chrome plated flat grid lavatory drain. Includes one piece 1-1/4" O.D. 17 gauge offset tailpiece.

JT-125 P-Trap

Chrome plated cast brass 1-1/4" P-trap with cleanout. Drain pipe of 17 ga. chrome plated brass.

AC OUTLET MUST BE INSTALLED ACCORDING TO LOCAL CODES. INSTALLATION CONTRACTOR RESPONSIBLE FOR COMPLIANCE WITH THOSE CODES.

JUST MFG. COMPANY CONTINUES TO MAKE QUALITY AND FUNCTIONALITY A MARK OF THE JUST PRODUCT LINE. TO DO SO REQUIRES THAT WE RESERVE THE RIGHT TO CHANGE PRODUCT INFORMATION WITHOUT NOTICE. FOR THE MOST CURRENT AND ACCURATE INFORMATION REGARDING THE COMPLETE LINE OF JUST SINKS, FAUCETS AND DRAINS, CLICK ON THE **SPEC LINE DRAWINGS** LINK ON OUR WEB SITE AT www.justmfg.com



JUST MANUFACTURING COMPANY

9233 KING STREET . FRANKLIN PARK . ILLINOIS . 60131-2111

PH: 847-678-5150 . FAX: 847-678-6817 . E-MAIL: custserv@justmfg.com . www.justmfg.com

HCL23520SSPD