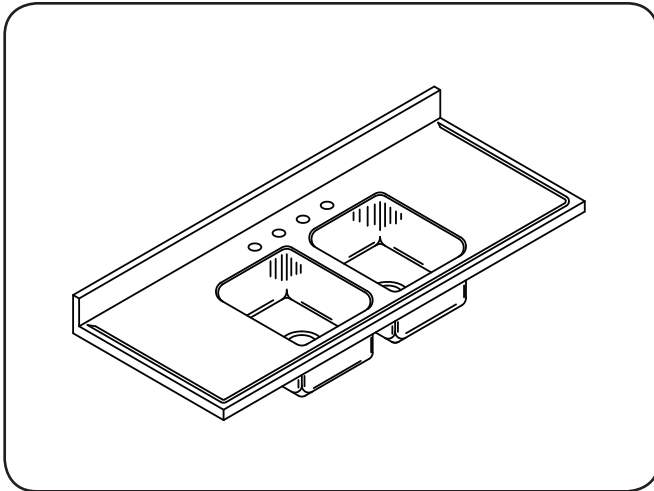




DM-72-34

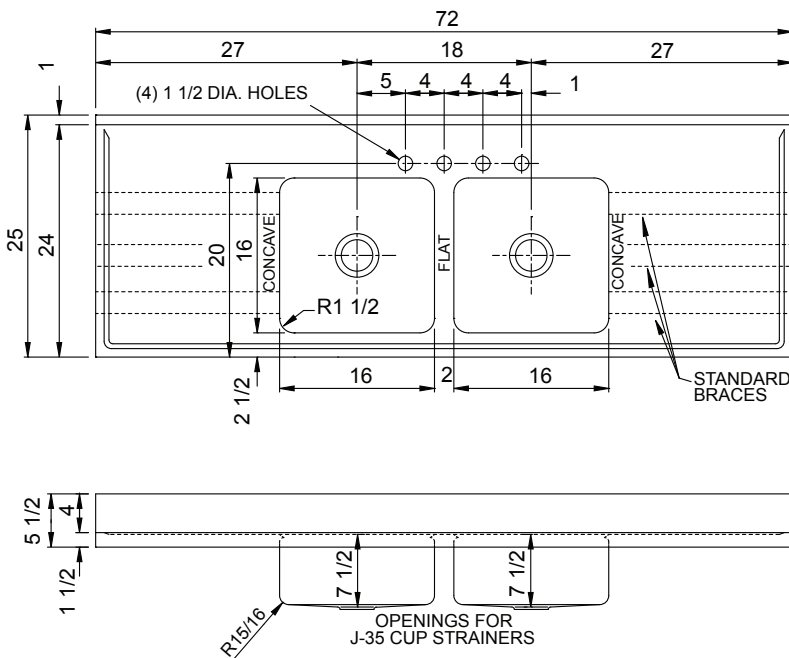
MARQUIS GROUP
DOUBLE BOWL - DOUBLE DRAINBOARD

SUBMITTAL DATA



SPECIFICATION

Seamless welded construction of 18 gauge type 304 stainless steel. Bowl with anti-splash rim seamless welded to top. Drainboard double-pitched to bowl without the use of creases. Straight-sided compartment provides greater capacity. Standard understructural braces of 16 gauge mild steel. Underside coated to insulate for sound and reduce condensation. Unit polished with a Hand-Blended Just Finish. Drain punch #35 centered for Just J-35 cup strainers.



APPROVED FOR MANUFACTURING

MODEL NO.: **DM-72-34** QTY: _____

JOB NAME: _____

TAG/ITEM: _____

CUSTOMER: _____

SIGNATURE: _____



JUST MFG. COMPANY CONTINUES TO MAKE QUALITY AND FUNCTIONALITY A MARK OF THE JUST PRODUCT LINE. TO DO SO REQUIRES THAT WE RESERVE THE RIGHT TO CHANGE PRODUCT INFORMATION WITHOUT NOTICE. DIMENSIONS MAY VARY AND ARE SUBJECT TO CHANGE WITHOUT NOTICE. NO RESPONSIBILITY IS ASSUMED FOR USE OF SUPERCEDED OR VOIDED DATA. FOR THE MOST CURRENT AND ACCURATE INFORMATION REGARDING THE COMPLETE LINE OF JUST SINKS, FAUCETS AND DRAINS, CLICK ON THE **SPEC LINE DRAWINGS** LINK ON OUR WEB SITE AT www.justmfg.com

JUST MANUFACTURING COMPANY 9233 KING STREET . FRANKLIN PARK . ILLINOIS . 60131-2111

PH: 847-678-5150 FAX: 847-678-6817 E-MAIL: custserv@justmfg.com www.justmfg.com