



# DLXDN-2233-A-GR

## INTEGRA GROUP EXTRA DEEP INTEGRA DRAIN - DOUBLE BOWL LEDGE TYPE - 18 GA.

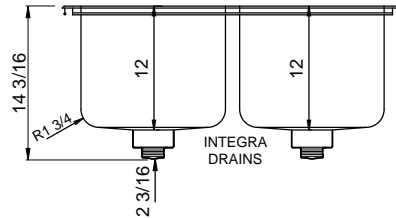
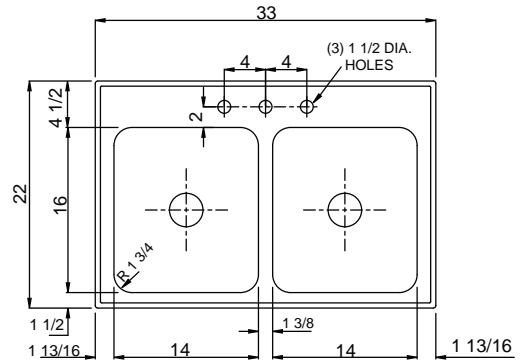
SUBMITTAL DATA



**22.68**  
Gallon  
Capacity\*

### \*CAPACITY MATTERS

Max I.D. sizing with straight sided, non-tapered bowl configuration. Tight corner radius design.



### SPECIFICATION

Seamless die-drawn construction of 18 gauge type 304, 18-8 stainless steel. Interior and top surfaces polished to a non-porous satin blended No. 4 finish. Fully coated underside insulates for sound, and reduces condensation. Straight-sided compartment with 1 3/4" radius corners provides greater capacity. Self-rimming top mount Grip-Rim Plus with stainless steel mounting channels. Integra-Drain integral drain system.



Integra Drain - seamlessly die drawn; eliminating seam in sink bottom, resulting in a hygienic surface. No additional parts or rings. Reduces installation issues and leak potential. Includes basket strainer and tailpiece. Flat grid available in place of basket, specify I-SSF option.

### FAUCET PUNCHING MUST BE SPECIFIED

(1) Hole - Centered	Over each bowl
(2) Holes - 4" centers	Over each partition (illustrated)
(3) holes - 4" centers (illustrated)	
Alternate Punching:	
Faucet Model:	
Punching Required:	

CUTOUT DIMENSIONS		
Model Number	Front-to-Back	Left-to-Right
DLXDN-2233-A-GR	21-1/4	32-1/4

\* Cutout dimensions shown (Front-to-Back) x (Left-to-Right) - corners may be square or up to 1/2" radius.

Product Options			
I-SSF	Integra St. Stl. Flat Grid <sup>1</sup>		
-GB	Garbage disposal outlet	Left Bowl	Right Bowl



**<sup>1</sup>DISPOSER SINKS DISCLAIMER NOTE:**  
Just Integra Drain sinks are designed for compatible disposers manufactured by InSinkErator® which utilizes the Quick Lock® mounting system. Use of other disposers may void the Just warranty.  
*InSinkErator® and Quick Lock® are trademarks of Emerson Electric Co.*

APPROVED FOR MANUFACTURING

MODEL NO.: **DLXDN-2233-A-GR** QTY: \_\_\_\_\_

JOB NAME: \_\_\_\_\_

TAG/ITEM: \_\_\_\_\_

CUSTOMER: \_\_\_\_\_

SIGNATURE: \_\_\_\_\_

**JUST MANUFACTURING COMPANY**

9233 KING STREET . FRANKLIN PARK . ILLINOIS . 60131-2111

PH: 847-678-5150 . FAX: 847-678-6817 . E-MAIL: [custserv@justmfg.com](mailto:custserv@justmfg.com) . [www.justmfg.com](http://www.justmfg.com)