



DLN-2233-A-GR

INTEGRA GROUP INTEGRA DRAIN - DOUBLE BOWL LEDGE TYPE - 18 GA.

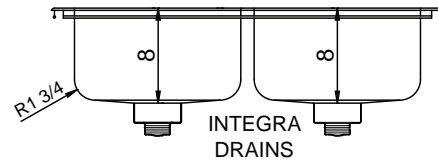
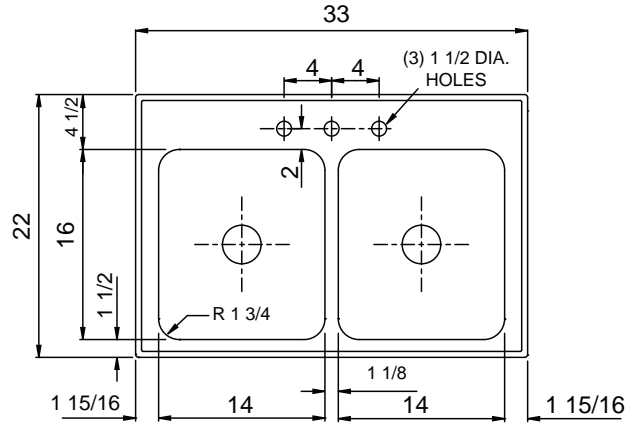
SUBMITTAL DATA



15.02
Gallon
Capacity*

*CAPACITY MATTERS

Max I.D. sizing with straight sided, non-tapered bowl configuration.
Tight corner radius design.



SPECIFICATION

Seamless die-drawn construction of 18 gauge type 304, 18-8 stainless steel. Interior and top surfaces polished to a non-porous satin blended No. 4 finish. Fully coated underside insulates for sound, and reduces condensation. Straight-sided compartment with 1 3/4" radius corners provides greater capacity. Self-rimming top mount Grip-Rim Plus with stainless steel mounting channels. Integra-Drain integral drain system.



Integra Drain - seamlessly die drawn; eliminating seam in sink bottom, resulting in a hygienic surface. No additional parts or rings. Reduces installation issues and leak potential. Includes basket strainer and tailpiece. Flat grid available in place of basket, specify I-SSF option.

FAUCET PUNCHING MUST BE SPECIFIED	
(1) Hole - Centered	Over each bowl
(2) Holes - 4" centers	Over each partition (illustrated)
(3) holes - 4" centers (illustrated)	
Alternate Punching:	
Faucet Model:	
Punching Required:	

CUTOUT DIMENSIONS		
Model Number	Front-to-Back	Left-to-Right
DLN-2233-A-GR	21-1/4	32-1/4

* Cutout dimensions shown (Front-to-Back) x (Left-to-Right) - corners may be square or up to 1/2" radius.

Product Options			
I-SSF	Integra St. Stl. Flat Grid		
-GB	Garbage disposal outlet ¹	Left Bowl	Right Bowl

¹DISPOSER SINKS DISCLAIMER NOTE:
Just Integra Drain sinks are designed for compatible disposers manufactured by InSinkErator® which utilizes the Quick Lock® mounting system. Use of other disposers may void the Just warranty.
InSinkErator® and Quick Lock® are trademarks of Emerson Electric Co.

APPROVED FOR MANUFACTURING

MODEL NO.: **DLN-2233-A-GR** QTY: _____

JOB NAME: _____

TAG/ITEM: _____

CUSTOMER: _____

SIGNATURE: _____



JUST MFG. COMPANY CONTINUES TO MAKE QUALITY AND FUNCTIONALITY A MARK OF THE JUST PRODUCT LINE. WE RESERVE THE RIGHT TO CHANGE PRODUCT INFORMATION WITHOUT NOTICE. DIMENSIONS MAY CHANGE AND MAY BE SUBJECT TO CHANGE WITHOUT NOTICE. NO RESPONSIBILITY IS ASSUMED FOR USE OF SUPERCEDED OR VOIDED DATA. JUST MFG. CO. SINKS ARE MADE IN THE U.S.A. ALONG WITH FEATURES AND DIMENSIONS.

JUST MANUFACTURING COMPANY

9233 KING STREET . FRANKLIN PARK . ILLINOIS . 60131-2111

PH: 847-678-5150 . FAX: 847-678-6817 . E-MAIL: custserv@justmfg.com . www.justmfg.com