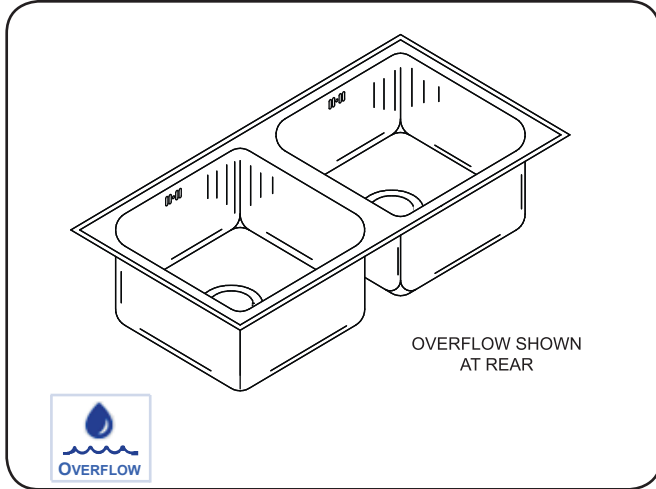




# DF-ADA-1949-A-GR

STYLIST GROUP

ADA COMPLIANT - SPACE SAVER  
 DOUBLE COMPARTMENT - LEDGEBACK  
 with INTEGRA-FLOW  
 18 GAUGE



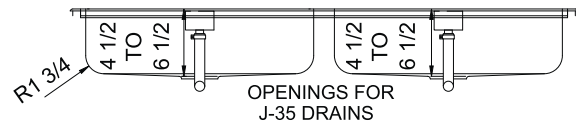
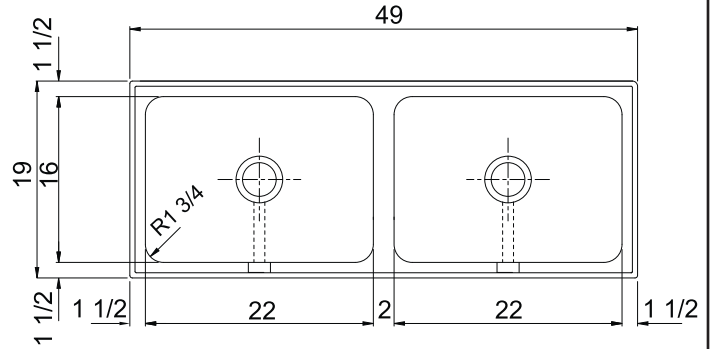
**14.52**  
 Gallon  
 Capacity\*

**\*CAPACITY MATTERS**

Max. I.D. sizing with straight-sided, non-tapered bowl configuration.  
 Capacity based on 6-1/2" depth.

**SPECIFICATION**

Seamless die-drawn construction of 18 ga. type 304 stainless steel. Interior and top surfaces polished to a non-porous Hand Blended Just Finish. Fully coated underside insulates for sound and reduces condensation. Straight-sided compartment with 1-3/4" radius corners provides greater capacity. Self-rimming top mount with Grip-Rim Plus with stainless steel mounting channels. Integra-flow overflow system. Drain punched for Just J-35-SSF drain.



SUBMITTAL DATA

CUTOUT DIMENSIONS		
Model Number	Front-to-Back	Left-to-Right
DF-ADA-1949-A-GR	18-1/4	48-1/4

**DEPTH - MUST BE SPECIFIED:**

4 1/2" DEEP     5" DEEP     5-1/2" DEEP     6" DEEP     6-1/2" DEEP

---

**DRAIN LOCATION - MUST BE SPECIFIED:**

CENTER     CENTER REAR     LEFT REAR     RIGHT REAR

---

**OVERFLOW LOCATION - MUST BE SPECIFIED:**

FRONT (SHOWN)     REAR     LEFT     RIGHT

APPROVED FOR MANUFACTURING

MODEL NO.: **DF-ADA-1949-A-GR** QTY: \_\_\_\_\_

JOB NAME: \_\_\_\_\_

TAG/ITEM: \_\_\_\_\_

CUSTOMER: \_\_\_\_\_

SIGNATURE: \_\_\_\_\_



JUST MFG. COMPANY CONTINUES TO MAKE QUALITY AND FUNCTIONALITY A MARK OF THE JUST PRODUCT LINE. WE RESERVE THE RIGHT TO CHANGE PRODUCT INFORMATION WITHOUT NOTICE. DIMENSIONS MAY CHANGE AND MAY BE SUBJECT TO CHANGE WITHOUT NOTICE. NO RESPONSIBILITY IS ASSUMED FOR USE OF SUPERCEDED OR VOIDED DATA. JUST MFG. CO. SINKS ARE MADE IN THE U.S.A. WHEN COMPARING OTHER BRAND PRODUCTS, BE SURE TO COMPARE USA QUALITY ALONG WITH FEATURES AND DIMENSIONS.

**JUST MANUFACTURING COMPANY**    9233 KING STREET . FRANKLIN PARK . ILLINOIS . 60131-2111  
 PH: 847-678-5150    FAX: 847-678-6817    E-MAIL: custserv@justmfg.com    www.justmfg.com