

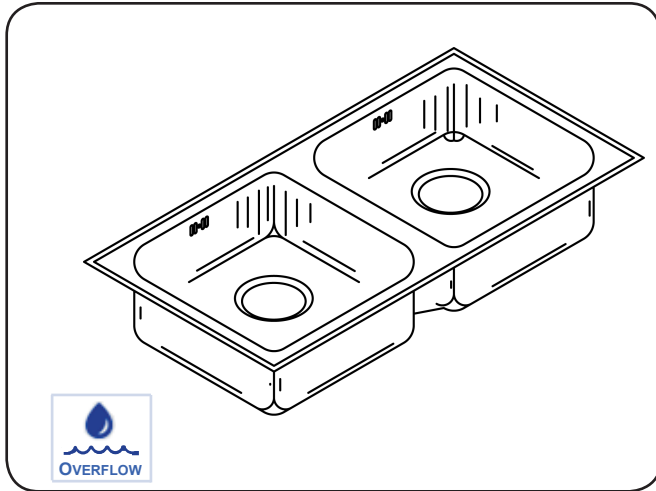


DF-1933-16-GR

ARMOR GROUP

NON-LEDGEBACK - DOUBLE COMPARTMENT
with INTEGRA-FLOW
16 GAUGE

SUBMITTAL DATA



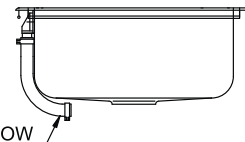
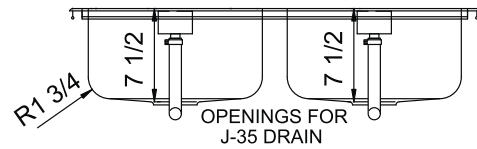
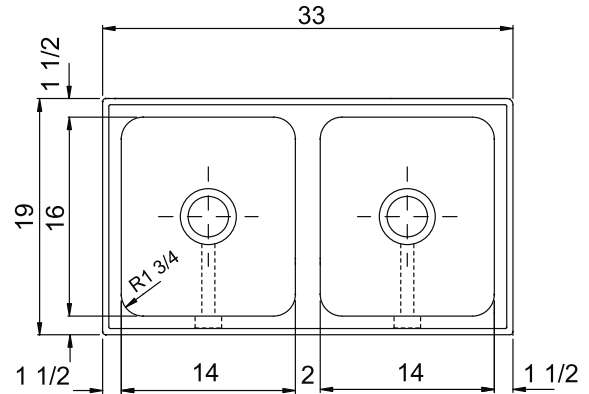
11.06
Gallon
Capacity*

***CAPACITY MATTERS**

Max I.D. sizing with straight sided, non-tapered bowl configuration.

SPECIFICATION

Seamless die-drawn construction of 16 ga. type 304 stainless steel. Interior and top surfaces polished to a non-porous Hand Blended Just Finish. Fully coated underside insulates for sound and reduces condensation. Straight-sided compartment with 1-3/4" radius corners provides greater capacity. Self-rimming top mount with Grip-Rim Plus with stainless steel mounting channels. Integra-flow overflow system. Drain punched for Just J-35-SSF drain.



CONNECTED OVERFLOW FLEXIBLE HOSE

OVERFLOW SHOWN AT FRONT

TYPE 316 STAINLESS STEEL (Check if applicable)

CUTOUT DIMENSIONS		
Model Number	Front-to-Back	Left-to-Right
DF-1933-16-GR	18-1/4	32-1/4

OVERFLOW LOCATION - MUST BE SPECIFIED:

FRONT (SHOWN) REAR LEFT RIGHT

APPROVED FOR MANUFACTURING

MODEL NO.: **DF-1933-16-GR** QTY: _____

JOB NAME: _____

TAG/ITEM: _____

CUSTOMER: _____

SIGNATURE: _____



JUST MFG. COMPANY CONTINUES TO MAKE QUALITY AND FUNCTIONALITY A MARK OF THE JUST PRODUCT LINE. WE RESERVE THE RIGHT TO CHANGE PRODUCT INFORMATION WITHOUT NOTICE. DIMENSIONS MAY CHANGE AND MAY BE SUBJECT TO CHANGE WITHOUT NOTICE. NO RESPONSIBILITY IS ASSUMED FOR USE OF SUPERCEDED OR VOIDED DATA. JUST MFG. CO. SINKS ARE MADE IN THE U.S.A. WHEN COMPARING OTHER BRAND PRODUCTS, BE SURE TO COMPARE USA QUALITY ALONG WITH FEATURES AND DIMENSIONS.

JUST MANUFACTURING COMPANY 9233 KING STREET . FRANKLIN PARK . ILLINOIS . 60131-2111
 PH: 847-678-5150 FAX: 847-678-6817 E-MAIL: custserv@justmfg.com www.justmfg.com