

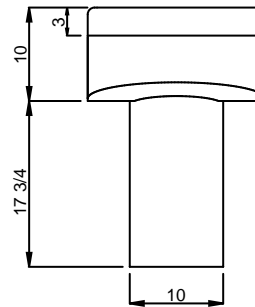
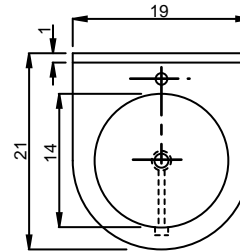


# Cu-WHLE-14-S-CP

## HEALTHCARE PRODUCT

Made with

**CuVerro® Antimicrobial Copper/Nickel Alloy**



### SPECIFICATIONS

- Top, bowl and apron surfaces - 18 gauge - CuVerro® antimicrobial copper material - continuously reduces bacterial\* contamination, achieving 99.9% reduction within 2 hours of exposure.
- CuVerro® antimicrobial copper/nickel alloy.
- Exposed surfaces polished to a non-porous Hand-Blended Just Finish.
- Enclosure of 18 ga. type 304 stainless steel.
- Underside insulates for sound, and reduces condensation.
- Drain punched for Cu-J-ADA-15-FS copper nickel flat grid and Integra-Flow overflow system.

### INCLUDES:

- **JSGN-6** Sensor-operated deck mounted gooseneck faucet chrome plated. Includes faucet, sensor assembly, slow-closing solenoid valve, plug-in power adapter or battery powered control module.
- **Cu-J-ADA-15-FS** copper nickel with flat grid strainer. 1-1/2" O.D. chrome plated tailpiece, 4" long. Integra-Flow overflow system included.
- **JTM-47** Anti-Scald mixing valve with bronze body with integral check valves and adjustment cap with locking feature.
- **JSPD-801** Hands-free soap dispenser, mutiviscosity, 900ml capacity.
- **JHD-ADA-1440** Automatic hand dryer. ADA Compliant. Operating voltage 110/120.
- **JT-150** P-trap - 1-1/2" with cleanout.
- **JGRB-24** copper-nickel grab bar, 24" long.

\*Laboratory testing has shown that when cleaned regularly CuVerro® copper surfaces: kill more than 99.9% of bacteria\* within 2 hours, and continue to kill 99% of bacteria even after repeated contamination. Testing demonstrates effective antibacterial activity against MRSA, Vancomycin-Resistant Enterococcus faecalis (VRE), Staphylococcus aureus, Enterobacter aerogenes, Pseudomonas aeruginosa, and E. coli O157:H7.

CuVerro®, copper alloy surfaces have been shown to reduce microbial contamination, but does not necessarily prevent cross-contamination. The use of a copper alloy surface is a supplement to and not a substitute for standard infection control practices; users must follow all current infection control practices, including those practices related to cleaning and disinfection of environmental surfaces.

Copper alloy surfaces are for use only in non-food zone areas.

CuVerro® is a registered trademark of GBC Metals LLC, d/b/a Olin Brass. CuVerro® antimicrobial alloys are registered with the U.S. Environmental Protection Agency as antimicrobial under product registration #85353-5. Document approval #J-0001-1201.

Product Note: Copper surfaces are susceptible to staining and color variations (patina) over time. However, the antimicrobial properties - the primary benefit of this copper/nickel material - are not compromised as a result of the stains and potential discoloration. Proper application (use), care and maintenance is essential with copper/nickel alloys. Contact customer service for questions about the use, care and maintenance of copper/nickel sinks at [custserv@justmfg.com](mailto:custserv@justmfg.com) or phone 847-678-5150.



JUST MFG. COMPANY CONTINUES TO MAKE QUALITY AND FUNCTIONALITY A MARK OF THE JUST PRODUCT LINE. WE RESERVE THE RIGHT TO CHANGE PRODUCT INFORMATION WITHOUT NOTICE. DIMENSIONS MAY CHANGE AND MAY BE SUBJECT TO CHANGE WITHOUT NOTICE. NO RESPONSIBILITY IS ASSUMED FOR USE OF SUPERCEDED OR VOIDED DATA. JUST MFG. CO. SINKS ARE MADE IN THE U.S.A. WHEN COMPARING OTHER BRAND PRODUCTS, BE SURE TO COMPARE USA QUALITY ALONG WITH FEATURES AND DIMENSIONS.

APPROVED FOR MANUFACTURING

MODEL NO.: **Cu-WHLE-14-S-CP** QTY: \_\_\_\_\_

JOB NAME: \_\_\_\_\_

TAG/ITEM: \_\_\_\_\_

CUSTOMER: \_\_\_\_\_

SIGNATURE: \_\_\_\_\_

JUST MANUFACTURING COMPANY

9233 KING STREET . FRANKLIN PARK . ILLINOIS . 60131-2111

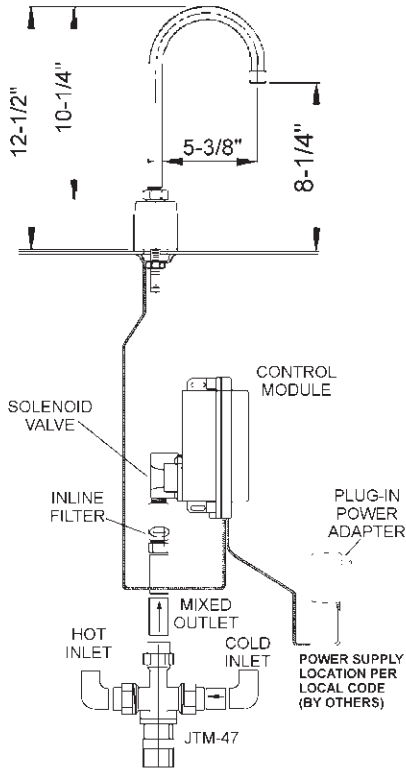
PH: 847-678-5150 . FAX: 847-678-6817 . E-MAIL: [custserv@justmfg.com](mailto:custserv@justmfg.com) . [www.justmfg.com](http://www.justmfg.com)

# Cu-WHLE-14-S-CP

## HEALTHCARE PRODUCT

Made with  
**CuVerro® Antimicrobial Copper/Nickel Alloy**

SUBMITTAL DATA



### JSGN-6-AC - Sensor Operated Faucet with Control Module

Sensor-operated deck mounted gooseneck faucet. Chrome plated solid brass construction faucet body. Chrome plated spout 12-1/2" high from bottom of base (8-1/4" from base to aerator) with 5-3/8" reach. 2.0 GPM Laminar flow control.



Control module, AC powered vandal resistant with armored control/power cable. Power adapter, standard plug in type, provides 12V DC output. Slow closing solenoid valve, piston-operated, provides reliable smooth operation without water hammer. In-line filter with clean-out trap. Sensor range adjustable from 6" to 30". Automatic time-out feature adjustable from 0(preset-active until no activity sensed) up to 60 seconds in 15 second intervals. Shut-off delay adjustable to 0, 1(preset), 2,4 or 8 seconds.

Battery powered unit available. Specifications same as above, except provides 6V DC and includes battery holder for four AA batteries in lieu of plug-in power adapter.

### JTM-47 - Thermostatic Mixing Valve

Anti-Scald mixing valve with bronze body with integral check valves and adjustment cap with locking feature. 1/2" threaded union inlet and outlet connections. Temperature range from 60° to 120° F(16°C to 49°C). ASSE Standard 1016 Listed.

**Cu-J-15-FS DRAIN:** Copper-nickel drain with flat grid strainer. 1-1/2" O.D. chrome plated tailpiece, 4" long.

### JT-150 - P-Trap

Chrome plated cast brass 1-1/2" P-trap with cleanout. Drain pipe of 17 ga. chrome plated brass.

### JSPD-801 Hands-Free Soap Dispenser

Automatic sensor operated soap dispenser. Easily removable 900ml tank for refilling and maintenance. Requires 12" clear space between stainless steel surfaces. Uses (6) AA batteries included.



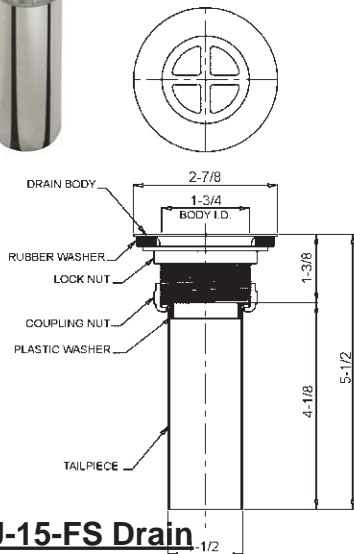
### JHD-ADA-1200 Automatic Hand Dryer

ADA Compliant, surface-mount hand dryer. Brush stainless steel cover. Operating voltage 110/120.



### CuJGRB-24 - 24" Grab Bar

Antimicrobial copper-alloy grab bar, 16 ga, 24" long.



**Cu-J-15-FS Drain**

**AC OUTLET MUST BE INSTALLED ACCORDING TO LOCAL CODES. INSTALLATION CONTRACTOR RESPONSIBLE FOR COMPLIANCE WITH THOSE CODES.**