



**WALL-HUNG LAVATORY
with SENSOR PACKAGE**



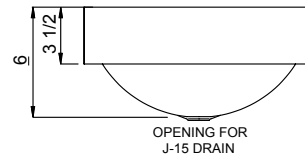
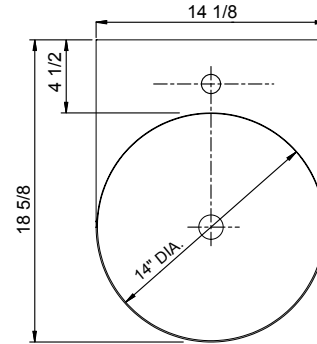
SPECIFICATIONS

- Sink touch surfaces surfaces - 18 gauge - CuVerro® antimicrobial copper material - continuously reduces bacterial* contamination, achieving 99.9% reduction within 2 hours of exposure.
- CuVerro® antimicrobial copper-nickel alloy.
- Exposed surfaces polished to a non-porous Hand-Blended Just Finish.
- Underside insulates for sound, and reduces condensation.
- Drain punched for Just J-15-FS flat grid strainer.
- Stainless steel brackets and wall clips.
- INCLUDES:
- **JSL-150** Sensor-operated deck mounted lavatory faucet with laminar flow control. Includes faucet, sensor assembly, slow-closing solenoid valve.
- **Cu-J-15-FS** copper-nickel drain with flat grid strainer. 1-1/2" O.D. chrome plated tailpiece, 4" long.
- **JTM-47** Anti-Scald mixing valve with bronze body with integral check valves and adjustment cap with locking feature.

Cu-WHL-14-S

HEALTHCARE PRODUCT

Made with
CuVerro® Antimicrobial Copper-Nickel Alloy



FAUCET - Must be specified

- | |
|--------------------------------------|
| JSL-150-AC - w/plug-in power adapter |
| JSL-150-B - w/battery holder |

**Laboratory testing has shown that when cleaned regularly CuVerro® copper surfaces: kill more than 99.9% of bacteria* within 2 hours, and continue to kill 99% of bacteria even after repeated contamination. Testing demonstrates effective antibacterial activity against MRSA, Staphylococcus aureus, Enterobacter aerogenes, Pseudomonas aeruginosa, and E. coli O157:H7.*

CuVerro®, copper alloy surfaces have been shown to reduce microbial contamination, but does not necessarily prevent cross-contamination. The use of a copper alloy surface is a supplement to and not a substitute for standard infection control practices; users must follow all current infection control practices, including those practices related to cleaning and disinfection of environmental surfaces.

Copper alloy surfaces are for use only in non-food zone areas.

CuVerro® is a registered trademark of GBC Metals LLC, d/b/a Olin Brass. CuVerro® antimicrobial alloys are registered with the U.S. Environmental Protection Agency as antimicrobial under product registration #85353-5. Document approval #J-0001-1201.

JUST MFG. COMPANY CONTINUES TO MAKE QUALITY AND FUNCTIONALITY A MARK OF THE JUST PRODUCT LINE. TO DO SO REQUIRES THAT WE RESERVE THE RIGHT TO CHANGE PRODUCT INFORMATION WITHOUT NOTICE. DIMENSIONS MAY VARY AND ARE SUBJECT TO CHANGE WITHOUT NOTICE. NO RESPONSIBILITY IS ASSUMED FOR USE OF SUPERCEDED OR VOIDED DATA. FOR THE MOST CURRENT AND ACCURATE INFORMATION REGARDING THE COMPLETE LINE OF JUST SINKS, FAUCETS AND DRAINS, CLICK ON THE **SPEC LINE DRAWINGS** LINK ON OUR WEB SITE AT www.justmfg.com

APPROVED FOR MANUFACTURING

MODEL NO.: **Cu-WHL-14-S** QTY: _____

JOB NAME: _____

TAG/ITEM: _____

CUSTOMER: _____

SIGNATURE: _____

JUST MANUFACTURING COMPANY

9233 KING STREET . FRANKLIN PARK . ILLINOIS . 60131-2111

PH: 847-678-5150 . FAX: 847-678-6817 . E-MAIL: custserv@justmfg.com . www.justmfg.com



SUBMITTAL DATA



JSL-150



Cu-J-15-FS DRAIN

JSL-150 - Sensor Operated Faucet with Control Module

Sensor-operated deck mounted lavatory faucet with chrome plated, solid, all metal construction. Includes faucet, sensor assembly, 6V DC slow-closing solenoid valve, plug-in power adapter, armored / vandal resistant faucet input power cable, one (1) 3/8" braided S.S. supply line, (1) in-line filter, 0.5 GPM vandal resistant laminar flow control.

Control module. AC or Battery

AC powered vandal resistant with armored control/power cable. Power adapter, standard plug-in type, provides 12V DC output. Slow closing solenoid valve, piston-operated, provides reliable smooth operation without water hammer. In-line filter with clean-out trap. Sensor range adjustable from 6" to 30". Automatic time-out feature adjustable from 0(preset-active until no activity sensed) up to 60 seconds in 15 second intervals. Shut-off delay adjustable to 0, 1(preset), 2,4 or 8 seconds.

Battery powered unit available. Specifications same as above, except provides 6V DC and includes battery holder for four AA batteries in lieu of plug-in power adapter.

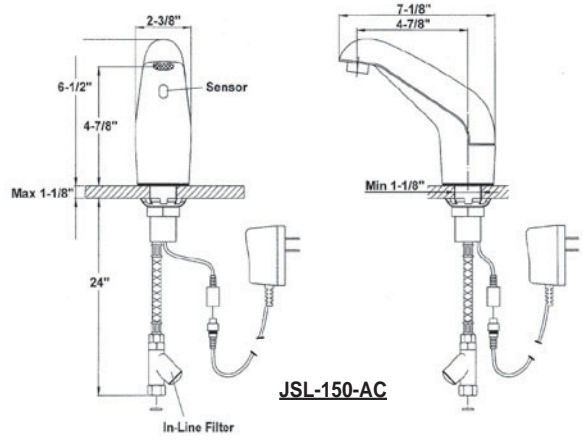
JTM-47 - Thermostatic Mixing Valve

Anti-Scald mixing valve with bronze body with integral check valves and adjustment cap with locking feature. 1/2" union inlet and outlet connections. Temperature range from 60 to 120 F (16 C to 49 C). ASSE Standard 1016 Listed.

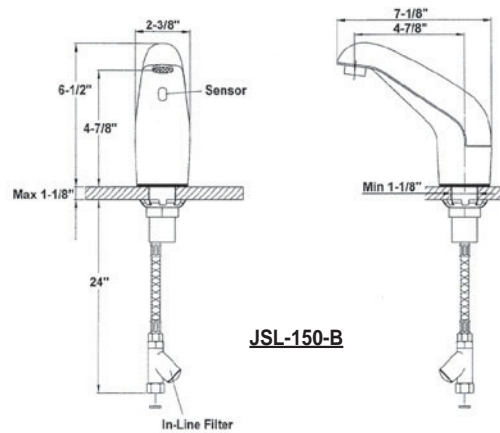
Cu-J-15-FS DRAIN: Copper-nickel drain with flat grid strainer. 1-1/2" O.D. chrome plated tailpiece, 4" long

Cu-WHL-14-S

HEALTHCARE PRODUCT FITTINGS PACKAGE



JSL-150-AC



JSL-150-B

JUST MANUFACTURING COMPANY

9233 KING STREET . FRANKLIN PARK . ILLINOIS . 60131-2111

PH: 847-678-5150 . FAX: 847-678-6817 . E-MAIL: custserv@justmfg.com . www.justmfg.com