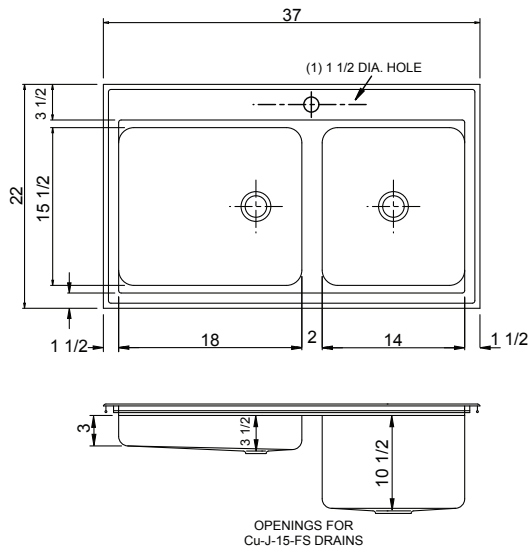




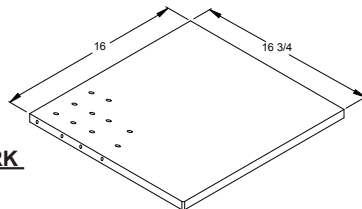
Cu-JPD-14-R-2237-T

INSTITUTIONAL GROUP MEDICAL DEVICE CLEANING STATION Double Compartment Made with CuVerro® Antimicrobial Copper

SUBMITTAL DATA



**PERFORATED WORK
SURFACE**



SPECIFICATIONS

Sink touch surfaces- 18 gauge - CuVerro® antimicrobial copper-nickel alloy material - continuously reduces bacterial* contamination, achieving 99.9% reduction within 2 hours of exposure. Seamless welded construction. Double bowl with separate drains. Sliding, antimicrobial copper-nickel alloy perforated work surface with edge protection to reduce scratching. Interior surfaces and top flange polished with a Hand-Blended Just Finish. Fully coated underside insulates for sound and reduces condensation. Grip-Rim Plus stainless steel mounting channel with clips.

Includes:

- (1) JPR-501-N - Pre-rinse faucet with nickel finish.
- (1) Cu-J-15-FS Copper-nickel alloy flat grid strainer.
- (1) Antimicrobial copper-nickel alloy perforated sliding work surface with edge protector.

**Laboratory testing has shown that when cleaned regularly CuVerro® copper surfaces: kill more than 99.9% of bacteria* within 2 hours, and continue to kill 99% of bacteria even after repeated contamination. Testing demonstrates effective antibacterial activity against MRSA, Vancomycin-Resistant Enterococcus faecalis (VRE), Staphylococcus aureus, Enterobacter aerogenes, Pseudomonas aeruginosa, and E. coli O157:H7.*

CuVerro®, copper alloy surfaces have been shown to reduce microbial contamination, but does not necessarily prevent cross-contamination. The use of a copper alloy surface is a supplement to and not a substitute for standard infection control practices; users must follow all current infection control practices, including those practices related to cleaning and disinfection of environmental surfaces.

Copper alloy surfaces are for use only in non-food zone areas.

CuVerro® is a registered trademark of GBC Metals LLC, d/b/a Olin Brass. CuVerro® antimicrobial alloys are registered with the U.S. Environmental Protection Agency as antimicrobial under product registration #85353-5.

CUTOUT DIMENSIONS

Model No.	Front-to-Back	Left-to-Right
Cu-JPD-14-R-2237-T	21-1/4	36-1/4

Product Note: Copper surfaces are susceptible to staining and color variations (patina) over time. However, the antimicrobial properties - the primary benefit of this copper/nickel material - are not compromised as a result of the stains and potential discoloration. Proper application (use), care and maintenance is essential with copper/nickel alloys. Contact customer service for questions about the use, care and maintenance of copper/nickel sinks at custserv@justmfg.com or phone 847-678-5150.



JUST MFG. COMPANY CONTINUES TO MAKE QUALITY AND FUNCTIONALITY A MARK OF THE JUST PRODUCT LINE. WE RESERVE THE RIGHT TO CHANGE PRODUCT INFORMATION WITHOUT NOTICE. DIMENSIONS MAY CHANGE AND MAY BE SUBJECT TO CHANGE WITHOUT NOTICE. NO RESPONSIBILITY IS ASSUMED FOR USE OF SUPERCEDED OR VOIDED DATA. JUST MFG. CO. SINKS ARE MADE IN THE U.S.A. WHEN COMPARING OTHER BRAND PRODUCTS, BE SURE TO COMPARE USA QUALITY ALONG WITH FEATURES AND DIMENSIONS.

APPROVED FOR MANUFACTURING

MODEL NO.: **Cu-JPD-14-R-2237-T** QTY: _____

JOB NAME: _____

TAG/ITEM: _____

CUSTOMER: _____

SIGNATURE: _____

JUST MANUFACTURING COMPANY

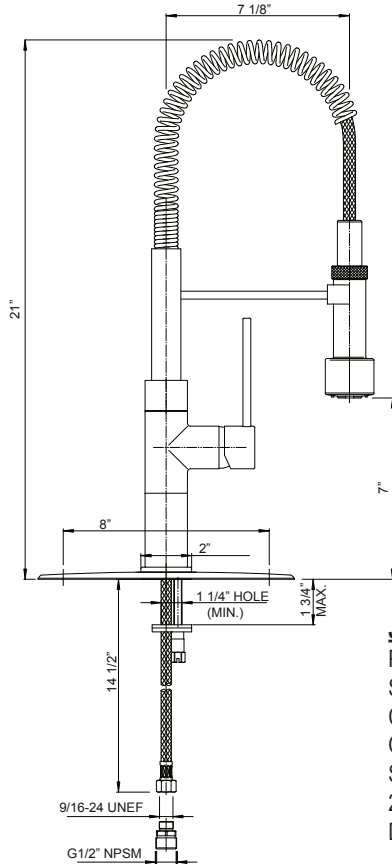
9233 KING STREET . FRANKLIN PARK . ILLINOIS . 60131-2111

PH: 847-678-5150 . FAX: 847-678-6817 . E-MAIL: custserv@justmfg.com . www.justmfg.com



SUBMITTAL DATA

Cu-JPD-14-R-2237-T
INSTITUTIONAL GROUP
MEDICAL DEVICE CLEANING STATION
Double Compartment
FITTINGS PACKAGE



JPR-501-N Pre-Rinse Faucet

Pull-down sprayer with adjustable spray stream.
Single Handle
Ceramic disc cartridge.
Quarter turn valve.
Single hole installation.
2.2 GPM aerator
Deck Plate included.



Cu-J-15-FS DRAIN

Copper-nickel drain with flat grid strainer.
1-1/2" O.D. chrome plated tailpiece, 4" long.

JUST MANUFACTURING COMPANY

9233 KING STREET . FRANKLIN PARK . ILLINOIS . 60131-2111

PH: 847-678-5150 . FAX: 847-678-6817 . E-MAIL: custserv@justmfg.com . www.justmfg.com

CuJPD14R2237T