



**SURGEON'S SCRUB SINK**  
**KNEE ACTIVATED - PRE-PIPED**  
**SOAP AND WATER CONTROLS**

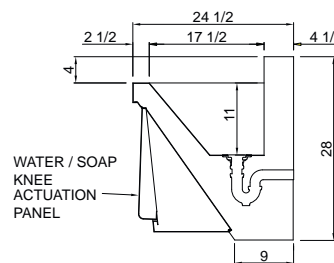
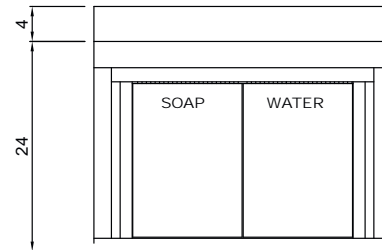
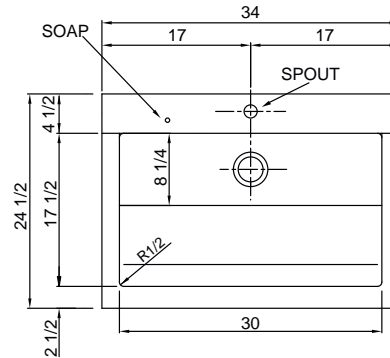
**Cu-JKS-770-1**

**HEALTHCARE PRODUCT**  
**Made with**  
**CuVerro® Antimicrobial Copper-Nickel Alloy**



**SPECIFICATIONS**

- Internal sink surfaces and top ledge - CuVerro® antimicrobial copper material - continuously reduces bacterial\* contamination, achieving 99.9% reduction within 2 hours of exposure.
- CuVerro® antimicrobial copper-nickel alloy - 18 gauge.
- Backsplash, end panels and front areas of 16 gauge type 304, 18-8 stainless steel.
- Seamless welded construction.
- Exposed surfaces polished with non-porous Hand-Blended Just Finish.
- Underside of compartment sound deadened.
- Liquid soap/surgical detergent dispenser dispenses with push of hinged knee panel.
- Chrome plated spout with laminar flow control.
- JTM-47LF - Lead free thermostatic mixing valve.
- Just Cu-J-15-FS stainless steel grid drain installed.
- Unit is pre-piped for final hot and cold water connections.
- Wall support brackets integral to finished end panels.
- Stainless steel wall clips and chrome plated P-trap included



TIMER OPTION	
<b>-DT</b>	Digital timer display. Automatically starts timing with water flow. Stop and auto reset when water stops. Factory installed with JSGN-6 only
<b>-DTC</b>	Digital timer display with timed cycle. Automatically starts timing with water flow. Stops and auto reset when water stops. Timed cycle allows user to select preset cycle time. Factory installed with JSGN-6 faucet only.

APPROVED FOR MANUFACTURING

MODEL NO.: **CuJKS-770-1** QTY: \_\_\_\_\_

JOB NAME: \_\_\_\_\_

TAG/ITEM: \_\_\_\_\_

CUSTOMER: \_\_\_\_\_

SIGNATURE: \_\_\_\_\_

*\*Laboratory testing has shown that when cleaned regularly CuVerro® copper surfaces: kill more than 99.9% of bacteria\* within 2 hours, and continue to kill 99% of bacteria even after repeated contamination. Testing demonstrates effective antibacterial activity against MRSA, Staphylococcus aureus, Enterobacter aerogenes, Pseudomonas aeruginosa, and E. coli O157:H7.*

*CuVerro®, copper alloy surfaces have been shown to reduce microbial contamination, but does not necessarily prevent cross-contamination. The use of a copper alloy surface is a supplement to and not a substitute for standard infection control practices; users must follow all current infection control practices, including those practices related to cleaning and disinfection of environmental surfaces.*

*Copper alloy surfaces are for use only in non-food zone areas.*

Product Note: Copper surfaces are susceptible to staining and color variations (patina) over time. However, the antimicrobial properties - the primary benefit of this copper/nickel material - are not compromised as a result of the stains and potential discoloration. Proper application (use), care and maintenance is essential with copper/nickel alloys. Contact Customer Service for questions about the use, care and maintenance of copper/nickel sink at [custserv@justmfg.com](mailto:custserv@justmfg.com) or Phone (847)678-5150

*CuVerro® is a registered trademark of GBC Metals LLC, d/b/a Olin Brass. CuVerro® antimicrobial alloys are registered with the U.S. Environmental Protection Agency as antimicrobial under product registration #85353-5. Document approval #J-0001-1201.*

JUST MFG. COMPANY CONTINUES TO MAKE QUALITY AND FUNCTIONALITY A MARK OF THE JUST PRODUCT LINE. WE RESERVE THE RIGHT TO CHANGE PRODUCT INFORMATION WITHOUT NOTICE. DIMENSIONS MAY CHANGE AND MAY BE SUBJECT TO CHANGE WITHOUT NOTICE. NO RESPONSIBILITY IS ASSUMED FOR USE OF SUPERCEDED OR VOIDED DATA. JUST MFG. CO. SINKS ARE MADE IN THE U.S.A. WHEN COMPARING OTHER BRAND PRODUCTS, BE SURE TO COMPARE USA QUALITY ALONG WITH FEATURES AND DIMENSIONS.

**JUST MANUFACTURING COMPANY** 9233 KING STREET . FRANKLIN PARK . ILLINOIS . 60131-2111  
 PH: 847-678-5150 . FAX: 847-678-6817 . E-MAIL: [custserv@justmfg.com](mailto:custserv@justmfg.com) . [www.justmfg.com](http://www.justmfg.com)

**SUBMITTAL DATA**



**SURGEON'S SCRUB SINK**  
**KNEE ACTIVATED - PRE-PIPED**  
**SOAP AND WATER CONTROLS**

**Cu-JKS-770-1**

**HEALTHCARE PRODUCT**

**SUBMITTAL DATA**

**Water Control Valve and Spout**

Chrome plated deck mounted goose-neck faucet with laminar flow control.

Easy operation single push on / push off water control valve.



**JTM-47LF - Thermostatic Mixing**

**Valve**

Lead-Free brass body with integral check valves and adjustment cap with locking feature. 1/2" threaded union inlet and outlet connections. Temperature range from 60 to 120 F (16 C to 49 C). ASSE 1017, ASSE 1069, ASSE 1070. NSF Low Lead Certification.

**Cu-J-15-FS Drain**

Copper-nickel drain with flat grid strainer and 1-1/2" O.D. chrome plated tailpiece, 4" long.

**JT-150 P-Trap**

Chrome plated cast brass 1-1/2" P-trap with cleanout. Drain pipe of 17 ga. chrome plated brass.

**OPTIONAL**

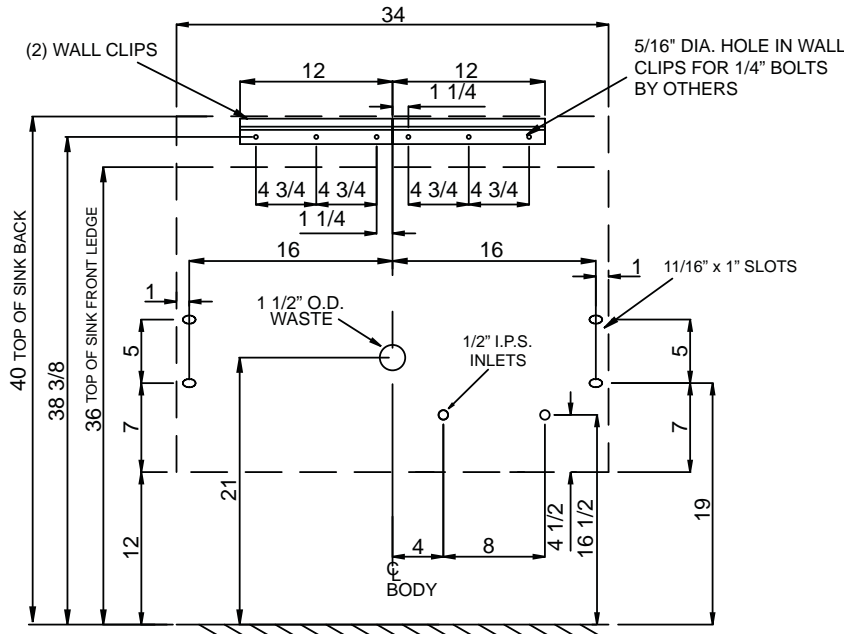


**-DI** Digital timer automatically starts with faucet activation. Display stops and resets when water flow stops. Easy to read LCD display. Display battery operated with near 10-year battery life. Soft display backlight available with low voltage AC adapter. Available only as factory installed option.



**-DTC** Digital timer automatically starts with faucet activation. Display stops and resets when water flow stops. Timed cycle allows selection of pre-programmed scrub time of 3, 5 or 10 minutes. Easy to read LCD display. Display battery operated with near 10-year battery life. Soft display backlight. Low voltage. Available only as factory installed option.

**JKS-770-1**  
**ROUGH-IN DATA**



JUST MFG. COMPANY CONTINUES TO MAKE QUALITY AND FUNCTIONALITY A MARK OF THE JUST PRODUCT LINE. WE RESERVE THE RIGHT TO CHANGE PRODUCT INFORMATION WITHOUT NOTICE. DIMENSIONS MAY CHANGE AND MAY BE SUBJECT TO CHANGE WITHOUT NOTICE. NO RESPONSIBILITY IS ASSUMED FOR USE OF SUPERCEDED OR VOIDED DATA. JUST MFG. CO. SINKS ARE MADE IN THE U.S.A. WHEN COMPARING OTHER BRAND PRODUCTS, BE SURE TO COMPARE USA QUALITY ALONG WITH FEATURES AND DIMENSIONS.

**JUST MANUFACTURING COMPANY**

9233 KING STREET . FRANKLIN PARK . ILLINOIS . 60131-2111

PH: 847-678-5150 . FAX: 847-678-6817 . E-MAIL: [custserv@justmfg.com](mailto:custserv@justmfg.com) . [www.justmfg.com](http://www.justmfg.com)