



SURGEON'S SCRUB SINK
SENSOR ACTIVATED - PRE-PIPED

Cu-J-770-3-S

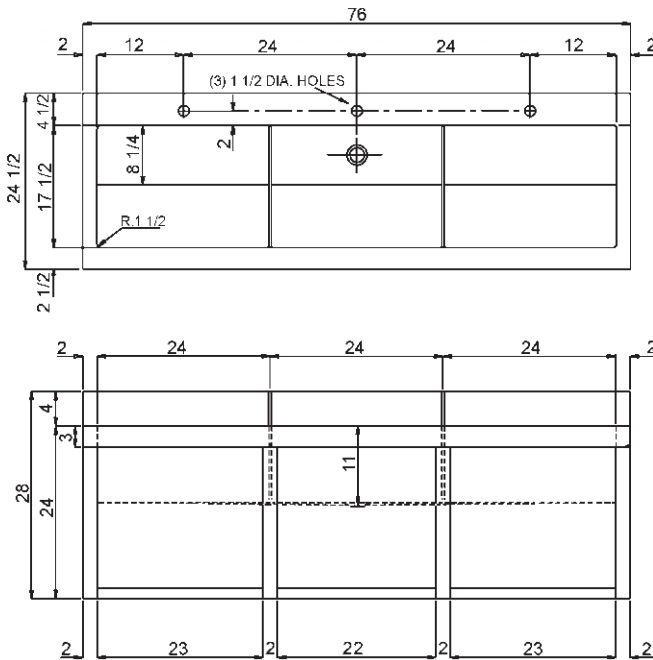
HEALTHCARE PRODUCT
Made with
CuVerro® Antimicrobial Copper-Nickel Alloy

SUBMITTAL DATA



SPECIFICATIONS

- Internal sink surfaces and top ledge and removeable partitions - CuVerro® antimicrobial copper material - continuously reduces bacterial* contamination, achieving 99.9% reduction within 2 hours of exposure.
- CuVerro® antimicrobial copper-nickel alloy - 18 gauge.
- Backsplash, end panels and front areas of 16 gauge type 304, 18-8 stainless steel.
- Seamless welded construction.
- Exposed surfaces polished with non-porous Hand-Blended Just Finish.
- Underside of compartment sound deadened.
- (3) JSGN-8 deck mounted, sensor-operated faucet with laminar flow control, user adjustable temperature control and manual override.
- JTM-47LF lead-free thermostatic mixing valve.
- Just Cu-J-15-FS Copper-nickel flat grid drain installed.
- Unit is pre-piped for final hot and cold water connections.
- Wall support brackets integral to finished end panels.
- Stainless steel wall clips and chrome plated P-trap included.



FAUCET - Must be specified	
JSGN-8-AC - w/plug-in power adapter	<input type="checkbox"/> OPTIONAL Rose Spray (check if required)
JSGN-8-B - w/battery holder	



TIMER OPTION	
-DT Digital timer display. Automatically starts timing with water flow. Stop and auto reset when water stops. Factory installed with JSGN-6 only	<input type="checkbox"/>
-DTC Digital timer display with timed cycle. Automatically starts timing with water flow. Stops and auto reset when water stops. Timed cycle allows user to select preset cycle time. Factory installed with JSGN-6 faucet only.	

**Laboratory testing has shown that when cleaned regularly CuVerro® copper surfaces: kill more than 99.9% of bacteria* within 2 hours, and continue to kill 99% of bacteria even after repeated contamination. Testing demonstrates effective antibacterial activity against MRSA, Staphylococcus aureus, Enterobacter aerogenes, Pseudomonas aeruginosa, and E. coli O157:H7.*

CuVerro®, copper alloy surfaces have been shown to reduce microbial contamination, but does not necessarily prevent cross-contamination. The use of a copper alloy surface is a supplement to and not a substitute for standard infection control practices; users must follow all current infection control practices, including those practices related to cleaning and disinfection of environmental surfaces.

Copper alloy surfaces are for use only in non-food zone areas.

Product Note: Copper surfaces are susceptible to staining and color variations (patina) over time. However, the antimicrobial properties - the primary benefit of this copper/nickel material - are not compromised as a result of the stains and potential discoloration. Proper application (use), care and maintenance is essential with copper/nickel alloys. Contact Customer Service for questions about the use, care and maintenance of copper/nickel sink at custserv@justmfg.com or Phone (847)678-5150

CuVerro® is a registered trademark of GBC Metals LLC, d/b/a Olin Brass. CuVerro® antimicrobial alloys are registered with the U.S. Environmental Protection Agency as antimicrobial under product registration #85353-5. Document approval #J-0001-1201.

JUST MFG. COMPANY CONTINUES TO MAKE QUALITY AND FUNCTIONALITY A MARK OF THE JUST PRODUCT LINE. WE RESERVE THE RIGHT TO CHANGE PRODUCT INFORMATION WITHOUT NOTICE. DIMENSIONS MAY CHANGE AND MAY BE SUBJECT TO CHANGE WITHOUT NOTICE. NO RESPONSIBILITY IS ASSUMED FOR USE OF SUPERCEDED OR VOIDED DATA. JUST MFG. CO. SINKS ARE MADE IN THE U.S.A. WHEN COMPARING OTHER BRAND PRODUCTS, BE SURE TO COMPARE USA QUALITY ALONG WITH FEATURES AND DIMENSIONS.

APPROVED FOR MANUFACTURING

MODEL NO.: **Cu-J-770-3-S** QTY: _____

JOB NAME: _____

TAG/ITEM: _____

CUSTOMER: _____

SIGNATURE: _____

JUST MANUFACTURING COMPANY 9233 KING STREET . FRANKLIN PARK . ILLINOIS . 60131-2111
 PH: 847-678-5150 . FAX: 847-678-6817 . E-MAIL: custserv@justmfg.com . www.justmfg.com



SURGEON'S SCRUB SINK
SENSOR ACTIVATED - PRE-PIPED

Cu-J-770-3-S

HEALTHCARE PRODUCT

SUBMITTAL DATA

JSGN-8-AC

Sensor-operated deck mount gooseneck faucet with user adjustable temperature control. Lead-Free, chrome plated solid brass construction. Chrome plated spout 11-7/8" from base to aerator with 8-3/8" reach. 2.0 GPM laminar flow control. Manual override on base.

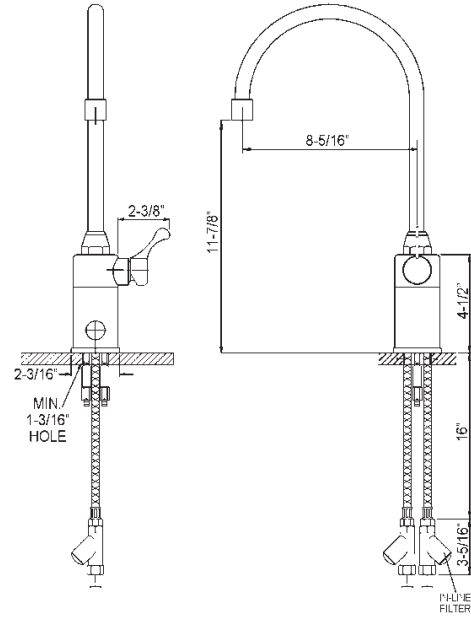


AC powered vandal resistant with armored control/power cable. Power adapter, standard plug-in type provides 12V DC output. Slow closing solenoid valve, piston-operated, provides reliable smooth operation without water hammer. In-line filter with clean-out trap. Sensor self-adapting. Automatic 30-second time out feature.

Battery powered unit available. Specification same as above except provides 6V DC and includes battery holder for four AA batteries (included) in lieu of plug-in power adapter. Low lead certified to NSF 372.

JTM-47LF - Thermostatic Mixing Valve

Lead-Free brass body with integral check valves and adjustment cap with locking feature. 1/2" sweat union inlet and outlet connections. Temperature range from 60 to 120 F (16 C to 49 C). ASSE 1017, ASSE 1069, ASSE 1070. NSF Low Lead Certification.

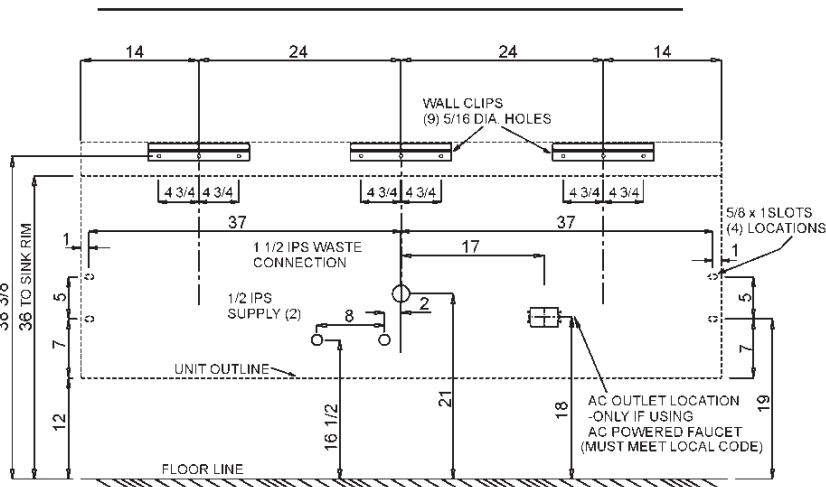


Cu-J-15-FS Drain

Copper-nickel drain with flat grid strainer and 1-1/2" O.D. chrome plated tailpiece, 4" long.

JT-150 P-Trap

Chrome plated cast brass 1-1/2" P-trap with clean-out. Drain pipe of 17 ga. chrome plated brass.



AC OUTLET MUST BE INSTALLED ACCORDING TO LOCAL CODES. INSTALLATION CONTRACTOR RESPONSIBLE FOR COMPLIANCE WITH THOSE CODES.

OPTIONAL



-DT Digital timer automatically starts with faucet activation. Display stops and resets when water flow stops. Easy to read LCD display. Display battery operated with near 10-year battery life. Soft display backlight available with low voltage AC adapter. Available only as factory installed option with JSGN-6 sensor faucet.



-DTC Digital timer automatically starts with faucet activation. Display stops and resets when water flow stops. Timed cycle allows selection of pre-programmed scrub time of 3, 5 or 10 minutes. Easy to read LCD display. Display battery operated with near 10-year battery life. Soft display backlight. Low voltage. Available only as factory installed option with JSGN-6 sensor faucet.

JUST MFG. COMPANY CONTINUES TO MAKE QUALITY AND FUNCTIONALITY A MARK OF THE JUST PRODUCT LINE. WE RESERVE THE RIGHT TO CHANGE PRODUCT INFORMATION WITHOUT NOTICE. DIMENSIONS MAY CHANGE AND MAY BE SUBJECT TO CHANGE WITHOUT NOTICE. NO RESPONSIBILITY IS ASSUMED FOR USE OF SUPERCEDED OR VOIDED DATA. JUST MFG. CO. SINKS ARE MADE IN THE U.S.A. WHEN COMPARING OTHER BRAND PRODUCTS, BE SURE TO COMPARE USA QUALITY ALONG WITH FEATURES AND DIMENSIONS.

JUST MANUFACTURING COMPANY

9233 KING STREET . FRANKLIN PARK . ILLINOIS . 60131-2111

PH: 847-678-5150 . FAX: 847-678-6817 . E-MAIL: custserv@justmfg.com . www.justmfg.com