



**CORNER LAVATORY  
with SENSOR PACKAGE**



**Cu-35929-14-S**

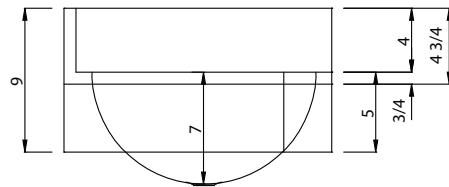
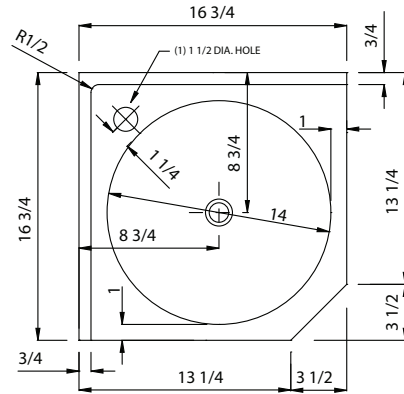
**HEALTHCARE PRODUCT**

**Made with  
CuVerro® Antimicrobial Copper/Nickel Alloy**

**SUBMITTAL  
DATA**

**SPECIFICATIONS**

- Top, bowl and apron surfaces - 18 gauge - Cu-Verro® antimicrobial copper material - continuously reduces bacterial\* contamination, achieving 99.9% reduction within 2 hours of exposure.
- CuVerro® antimicrobial copper/nickel alloy.
- Exposed surfaces polished to a non-porous Hand-Blended Just Finish.
- Underside insulates for sound, and reduces condensation.
- Drain punched for Just Cu-J-15-FS copper-nickel flat grid strainer.
- INCLUDES:
- **JSL-150** Sensor-operated deck mounted lavatory faucet with chrome plated. Includes faucet, sensor assembly, slow-closing solenoid valve, plug-in power adapter or battery powered control module.
- **Cu-J-15-FS** copper-nickel with flat grid strainer. 1-1/2" O.D. chrome plated tailpiece, 4" long.
- **JTM-47** Anti-Scald mixing valve with bronze body with integral check valves and adjustment cap with locking feature.
- **JT-150** Chrome plated cast brass 1-1/2" P-trap with cleanout.



OPENING FOR  
J-15-FS DRAIN



*\*Laboratory testing has shown that when cleaned regularly CuVerro® copper surfaces: kill more than 99.9% of bacteria\* within 2 hours, and continue to kill 99% of bacteria even after repeated contamination. Testing demonstrates effective antibacterial activity against MRSA, Vancomycin-Resistant Enterococcus faecalis (VRE), Staphylococcus aureus, Enterobacter aerogenes, Pseudomonas aeruginosa, and E. coli O157:H7.*

*CuVerro®, copper alloy surfaces have been shown to reduce microbial contamination, but does not necessarily prevent cross-contamination. The use of a copper alloy surface is a supplement to and not a substitute for standard infection control practices; users must follow all current infection control practices, including those practices related to cleaning and disinfection of environmental surfaces.*

*Copper alloy surfaces are for use only in non-food zone areas.*

*CuVerro® is a registered trademark of GBC Metals LLC, d/b/a Olin Brass. CuVerro® antimicrobial alloys are registered with the U.S. Environmental Protection Agency as antimicrobial under product registration #85353-5. Document approval #J-0001-1201.*

Product Note: Copper surfaces are susceptible to staining and color variations (patina) over time. However, the antimicrobial properties - the primary benefit of this copper/nickel material - are not compromised as a result of the stains and potential discoloration. Proper application (use), care and maintenance is essential with copper/nickel alloys. Contact customer service for questions about the use, care and maintenance of copper/nickel sinks at [custserv@justmfg.com](mailto:custserv@justmfg.com) or phone 847-678-5150.

JUST MFG. COMPANY CONTINUES TO MAKE QUALITY AND FUNCTIONALITY A MARK OF THE JUST PRODUCT LINE. TO DO SO REQUIRES THAT WE RESERVE THE RIGHT TO CHANGE PRODUCT INFORMATION WITHOUT NOTICE. DIMENSIONS MAY VARY AND ARE SUBJECT TO CHANGE WITHOUT NOTICE. NO RESPONSIBILITY IS ASSUMED FOR USE OF SUPERCEDED OR VOIDED DATA. FOR THE MOST CURRENT AND ACCURATE INFORMATION REGARDING THE COMPLETE LINE OF JUST SINKS, FAUCETS AND DRAINS, CLICK ON THE **SPEC LINE DRAWINGS** LINK ON OUR WEB SITE AT [www.justmfg.com](http://www.justmfg.com)

APPROVED FOR MANUFACTURING

MODEL NO.: **Cu-35929-14-S** QTY: \_\_\_\_\_

JOB NAME: \_\_\_\_\_

TAG/ITEM: \_\_\_\_\_

CUSTOMER: \_\_\_\_\_

SIGNATURE: \_\_\_\_\_

**JUST MANUFACTURING COMPANY** 9233 KING STREET . FRANKLIN PARK . ILLINOIS . 60131-2111

PH: 847-678-5150 . FAX: 847-678-6817 . E-MAIL: [custserv@justmfg.com](mailto:custserv@justmfg.com) . [www.justmfg.com](http://www.justmfg.com)



SUBMITTAL DATA



JSL-150

Cu-J-15-FS DRAIN

**JSL-150 - Sensor Operated Faucet with Control Module**  
 Sensor-operated deck mounted lavatory faucet with chrome plated, solid, all metal construction. Includes faucet, sensor assembly, 6V DC slow-closing solenoid valve, plug-in power adapter, armored / vandal resistant faucet input power cable, one (1) 3/8" braided S.S. supply line, one (1) in-line filter, 0.5 GPM vandal resistant aerator.

**Control module, AC or Battery**  
 AC powered vandal resistant with armored control/ power cable. Power adapter, standard plug-in type, provides 12V DC output. Slow closing solenoid valve, piston-operated, provides reliable smooth operation without water hammer. In-line filter with clean-out trap. Sensor range adjustable from 6" to 30". Automatic time-out feature adjustable from 0(preset-active until no activity sensed) up to 60 seconds in 15 second intervals. Shut-off delay adjustable to 0, 1(preset), 2,4 or 8 seconds.

Battery powered unit available. Specifications same as above, except provides 6V DC and includes battery holder for four AA batteries in lieu of plug-in power adapter.

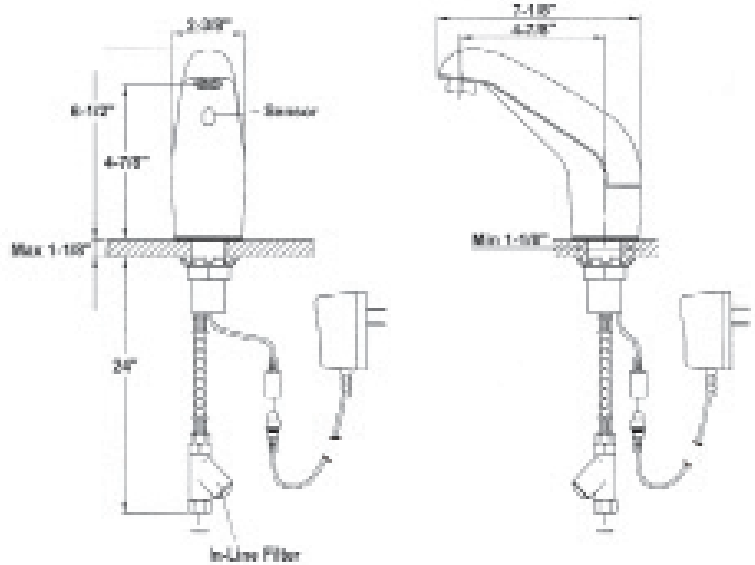
**JTM-47 - Thermostatic Mixing Valve**  
 Anti-Scald mixing valve with bronze body with integral check valves and adjustment cap with locking feature. 1/2" threaded union inlet and outlet connections. Temperature range from 60 to 120 F(16 C to 49 C). ASSE Standard 1016 Listed.

**Cu-J-15-FS DRAIN: Copper-nickel** drain with flat grid strainer. 1-1/2" O.D. chrome plated tailpiece, 4" long

**JT-150 P-Trap**  
 Chrome plated cast brass 1-1/2" P-trap with clean-out. Drain pipe of 17 ga. chrome plated brass.

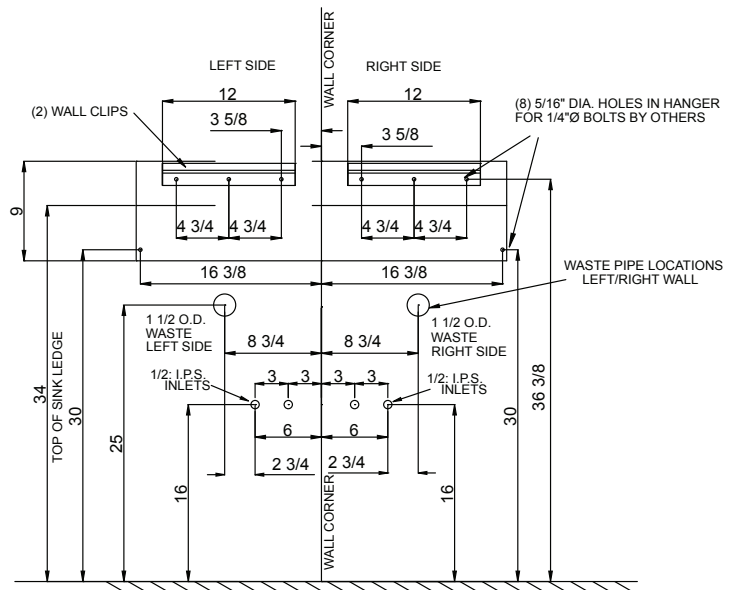
# Cu-35929-14-S

## HEALTHCARE PRODUCT FITTINGS PACKAGE



## Cu-35929-14-S ROUGH-IN DATA

(Shown for Rough-In on Left OR Right Wall)



JUST MANUFACTURING COMPANY

9233 KING STREET . FRANKLIN PARK . ILLINOIS . 60131-2111

PH: 847-678-5150 . FAX: 847-678-6817 . E-MAIL: custserv@justmfg.com . www.justmfg.com